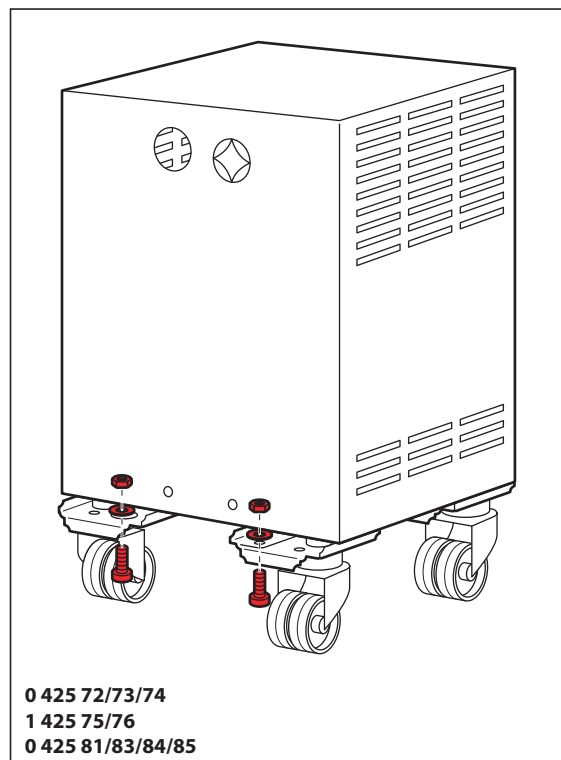


0 425 92/93/94/95/96



0 425 72/73/74
1 425 75/76
0 425 81/83/84/85