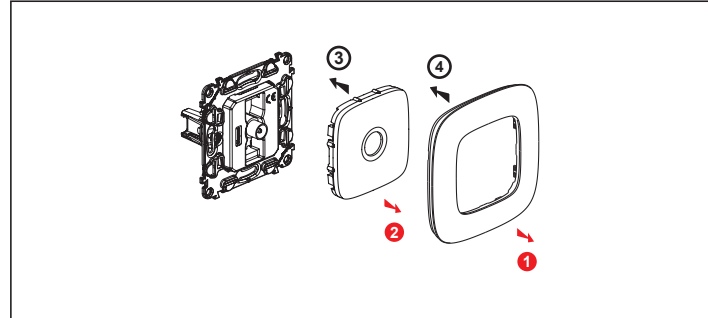


7 537 51, 7 538 51, 7 539 51, 7 539 71



Z	Control	Return Path	Channel 1	Channel FM	Channel VHF	Channel UHF	Channel SAT (IF)
75 Ω	500 mA	4 - 30 MHz	47 - 68 MHz	87,5 - 108 MHz	120 - 470 MHz	470 - 862 MHz	950 - 2400 MHz

$\varnothing < 7 \text{ mm}$ 10 mm 8 mm 2 mm
 17 / 19 VATC A

$\varnothing > 7 \text{ mm}$ 20 mm 8 mm 2 mm
 17 / 19 VATC A

$> 35 \text{ mm}$

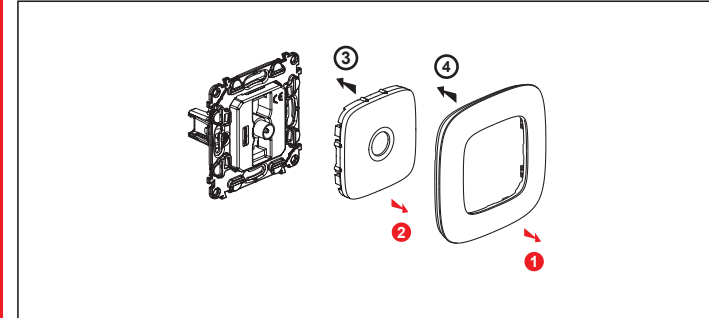
STAR -1dB

STAR -1dB

STAR -1dB

STAR -1dB

7 537 60 / 61, 7 538 60 / 61, 7 539 60 / 61, 7 539 70 / 81



Z	Control	Return Path	Channel 1	Channel FM	Channel VHF	Channel UHF	Channel SAT (IF)
75 Ω	500 mA	4 - 30 MHz	47 - 68 MHz	87,5 - 108 MHz	120 - 470 MHz	470 - 862 MHz	950 - 2150 MHz

$\varnothing < 7 \text{ mm}$ 10 mm 8 mm 2 mm
 17 / 19 VATC A

$\varnothing > 7 \text{ mm}$ 20 mm 8 mm 2 mm
 17 / 19 VATC A

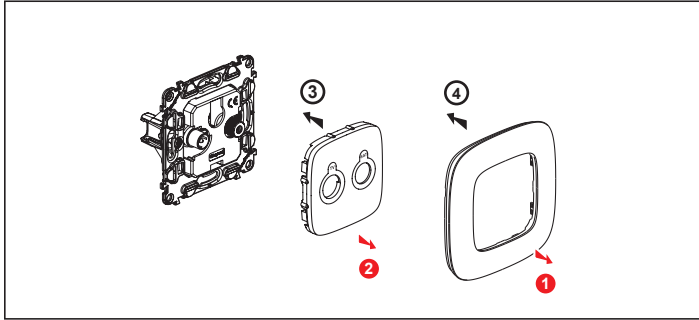
$> 35 \text{ mm}$

PASS -14dB END -10dB

PASS 14dB

END 10dB

7 537 58, 7 538 58, 7 539 58, 7 539 68



Control	Return Path	Channel 1	Channel FM	Channel VHF	Channel UHF	Channel SAT (IF)		
75 Ω	500 mA	22 kHz 0,6 V	4 - 30 MHz	47 - 68 MHz	87,5 - 108 MHz	120 - 470 MHz	470 - 862 MHz	950 - 2400 MHz
7 537 58 7 538 58 7 539 58 7 539 68	1,5 dB	1,5 dB					2 dB	

