

MOSAIC

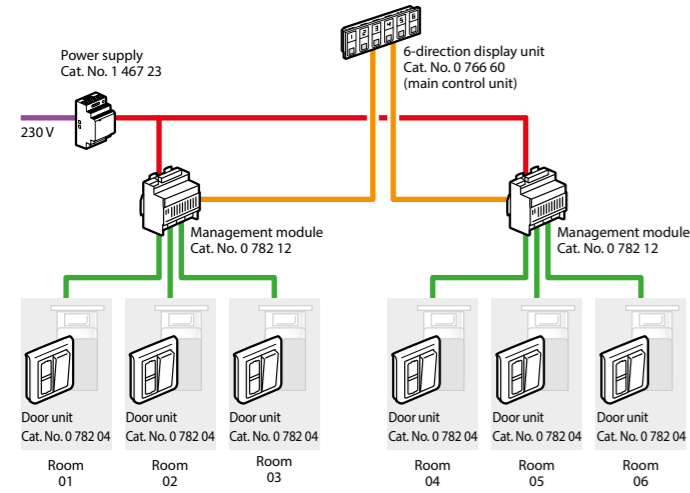
NURSE CALL UNIT



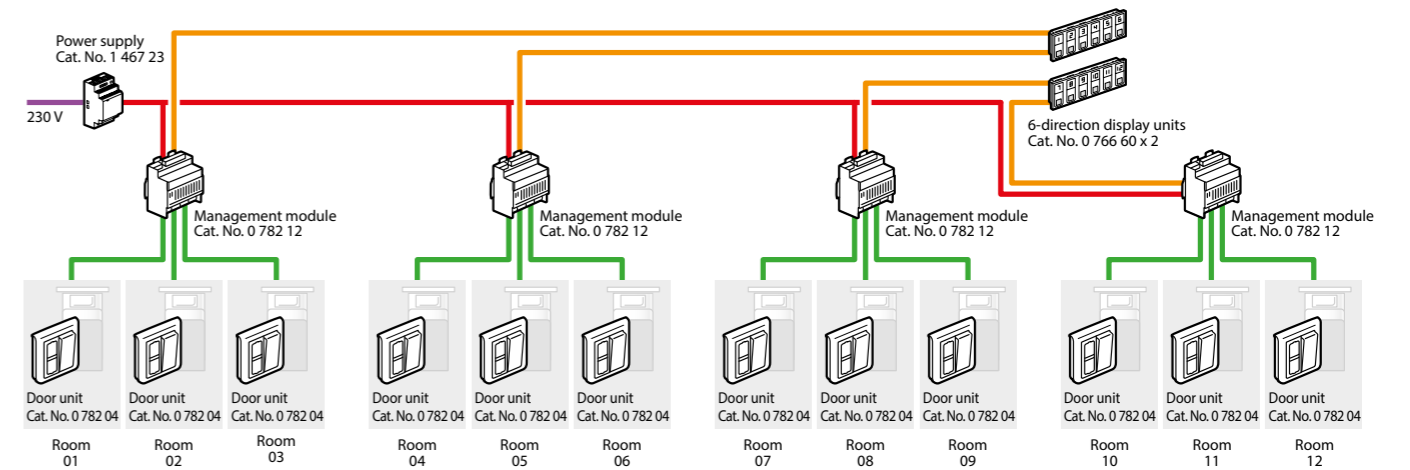
INSTALLATION AND USER GUIDE

INSTALLATION PRINCIPLE FOR A WARD

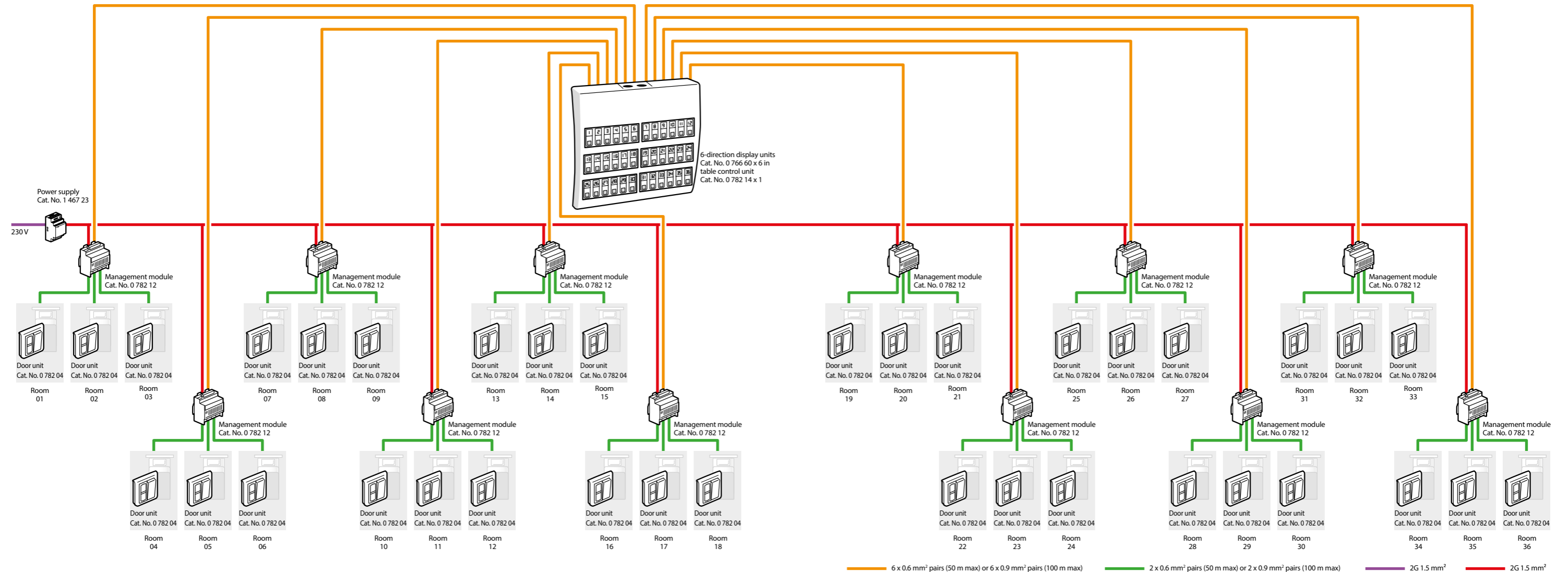
6-room ward



12-room ward



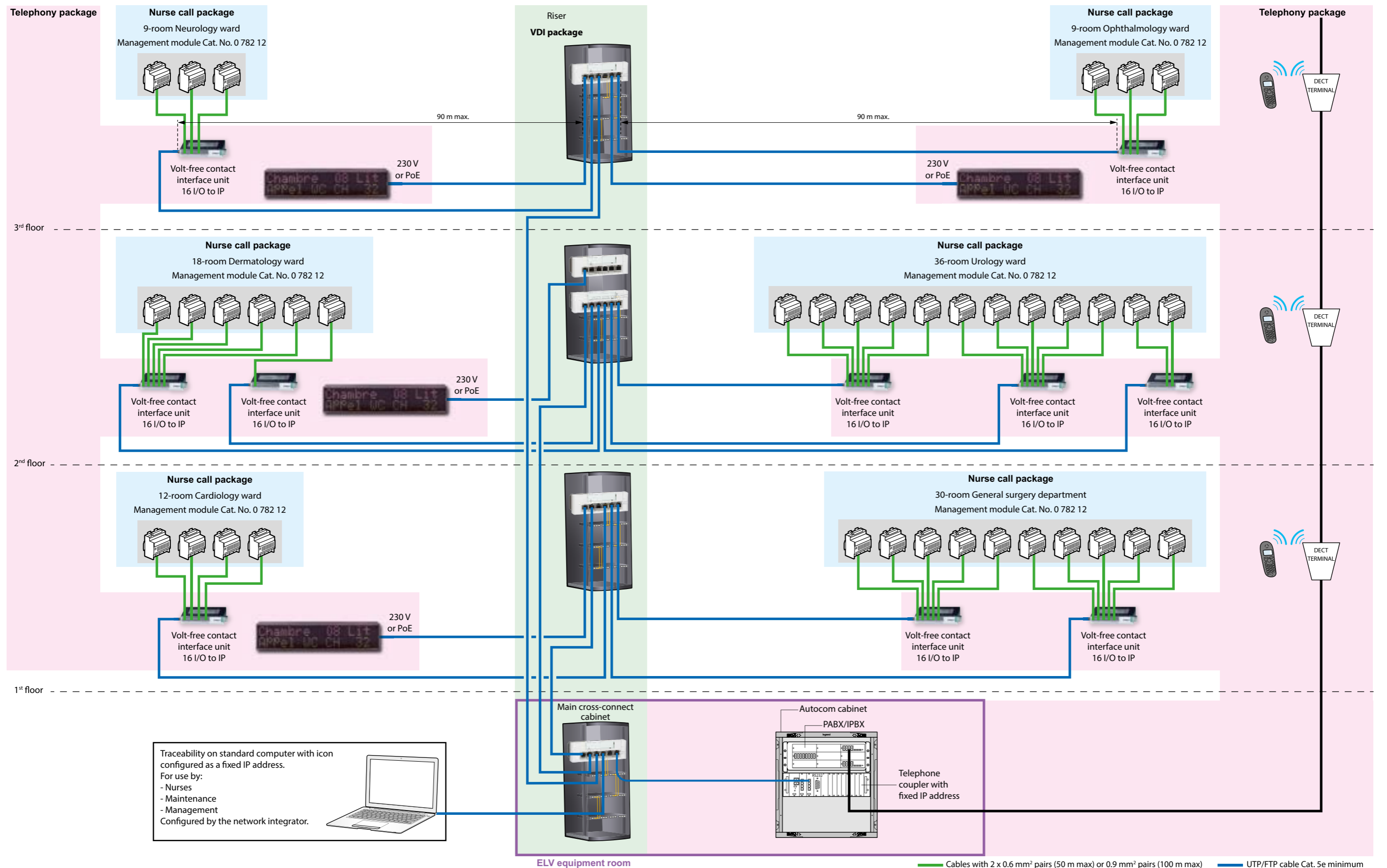
36-room ward



— 6 x 0.6 mm² pairs (50 m max) or 6 x 0.9 mm² pairs (100 m max)
 — 2 x 0.6 mm² pairs (50 m max) or 2 x 0.9 mm² pairs (100 m max)
 — 2G 1.5 mm²
 — 2G 1.5 mm²

INSTALLATION PRINCIPLE WITH CALL-FORWARDING OVER DECT AND TRACEABILITY ON TELEPHONE COUPLING

PRODUCT AND CORRIDOR DISPLAY UNITS (TELEPHONY PACKAGE NOT SUPPLIED BY LEGRAND)

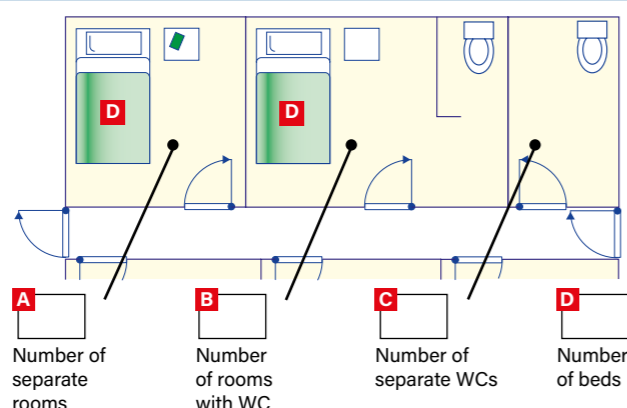


— Cables with 2 x 0.6 mm² pairs (50 m max) or 0.9 mm² pairs (100 m max) — UTP/FTP cable Cat. 5e minimum

PRESENTATION AND INSTALLATION OF DEVICES

SELECTION GUIDE: HOW TO DRAW UP YOUR LIST OF EQUIPMENT

1 Gather the following information



2 Calculate the number of directions

To determine the number of directions, simply add:

$$A + B + C = E$$

3 Draw up your list of equipment

Nurses' station and management equipment

- Display unit Cat. No. 0 766 60 = **E**/6 or display units
- Management module Cat. No. 0 782 12 = **E**/3 or modules
- Option:
Table control unit Cat. No. 0 782 14 = **E**/36 or control units

Corridor equipment

- Corridor overdoor light units Cat. No. 0 766 72 = **E** or overdoor lights

Room/bathroom equipment

- Door unit Cat. No. 0 782 04 = **E** or door units
- Bathroom call unit Cat. No. 0 766 64 = **B** + **C** or call units

Bed equipment

- Socket for corded push-button Cat. No. 0 766 63 = **D** or sockets
- Corded push-button Cat. No. 0 783 62 = **D** or corded buttons
- OR
Magnetic socket Cat. No. 0 782 46 = **D** or sockets
- Hand-held remote control unit for call only Cat. No. 0 782 01 = **D** or hand-held remote control units

Bed equipment (continued)

- OR
Magnetic socket Cat. No. 0 782 47 = **D** or sockets
- Hand-held remote control unit for call only Cat. Nos. 0 782 02/03 = **D** or hand-held remote control units
- Option:
Shunt plug for biomedical alarm Cat. No. 0 782 07 = **D** or plugs
- Socket for biomedical alarm Cat. No. 0 771 50 = **D** or sockets

Power supply:

Power supply Cat. No. 1 467 23

Number of power supplies to be calculated using the table below

0 782 04	0 766 72	0 766 64	0 782 01/ 02/03	0 782 12	0 766 60
0.7 W	0.9 W	0.7 W	0.8 W	1 W	0.4 W per direction

Recommendation: 1 power supply for 36 directions (corresponds to 30% of simultaneous calls max.)



0 766 60: 6-DIRECTION* CALL DISPLAY UNIT

Performs the main and secondary display functions.

Main display unit: used to monitor rooms in the ward from the nurses' station.

Secondary display unit: used to transfer information from the main display unit. 4 secondary display units max.

Indicates calls by lighting up numbered indicator lights and generating an audible signal.

Can indicate several calls simultaneously.

Displays the call and nurse presence and mute setting.

Calls can be transferred to 4 other display units (treatment room, rest area, etc).

Supplied without plate.

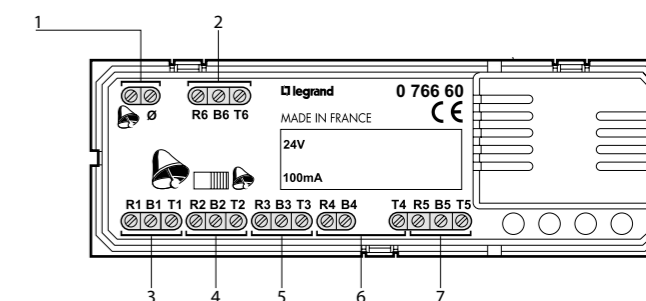
Supplied with sheets of numbered stickers from 1 to 99.

Technical characteristics

- Power supply: 24 V_~
- Consumption: min. 0.4 W - max. 2.8 W
- Operating temperature: 5 to 40°C
- Storage temperature: -20 to 70°C
- Protection index: IP 40
- Dimensions: 135 x 22.5 mm
- Installation:
 - On table control unit Cat. No. 0 782 14
 - Flush-mounted in box depth 50 mm Cat. No. 0 800 53
 - Surface-mounted in box depth 40 mm Cat. No. 0 802 86
- Sound level:
 - 65 dB (A) at 1 m placed on table
 - 75 dB (A) fixed to wall 1.60 m off the floor
 - 62 dB (A) at 1 m placed on table
 - 72 dB (A) fixed to wall 1.60 m off the floor

* Direction: room from which the calls originate

Connection

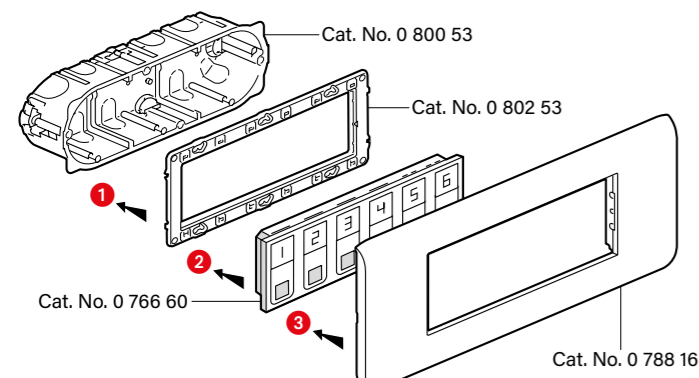


- 1- Management module terminals
- 2- Room 6 terminals
- 3- Room 1 terminals
- 4- Room 2 terminals
- 5- Room 3 terminals
- 6- Room 4 terminals
- 7- Room 5 terminals

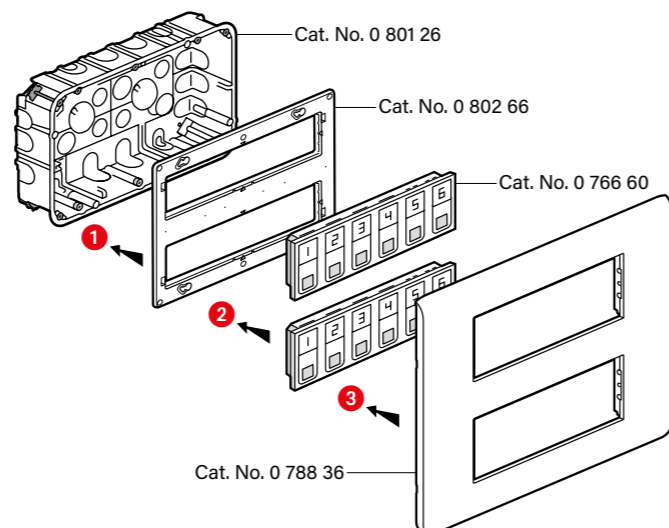


0 766 60: 6-DIRECTION* CALL DISPLAY UNIT (CONTINUED)

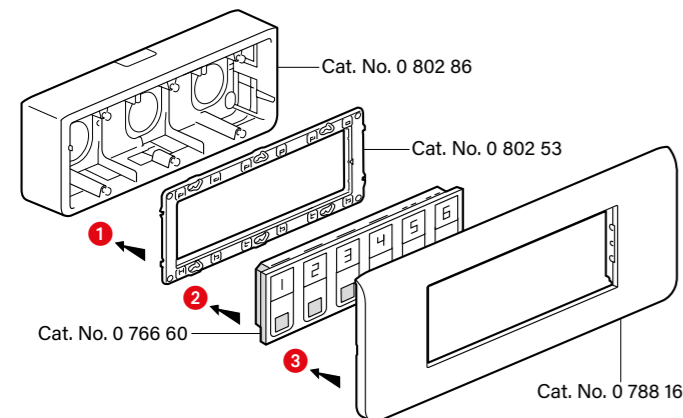
Flush-mounted wall installation



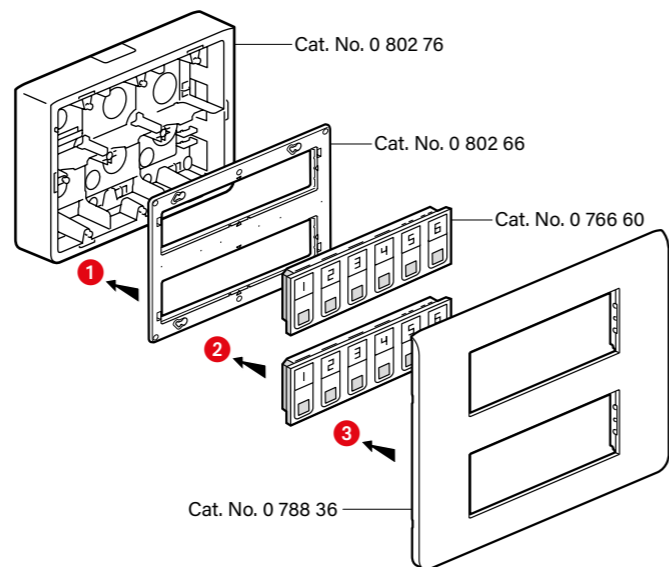
Flush-mounted 2-gang wall installation



Surface-mounted wall installation



Surface-mounted 2-gang wall installation



* Direction: room from which the calls originate

0 782 12: 3-DIRECTION MANAGEMENT MODULE*

Manages 3 directions.

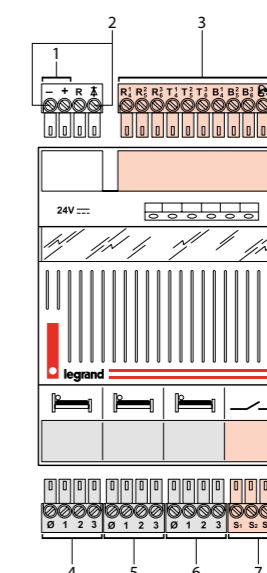
Option of forwarding:

- for indicator
- for buzzer via a solid state relay
- to DECT, via a telephone coupling product
- to master indicator (lights up if the indicator on at least one of the 3 directions is lit up).

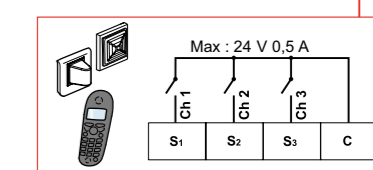
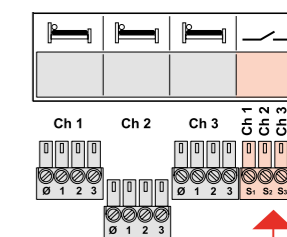
Technical characteristics

- Power supply: 24 V_~
- Consumption (min): 39 mA
(max): 300 mA
- Operating temperature: 5 to 40°C
- Storage temperature: -20 to 70°C
- Size: 4 DIN modules

Connection

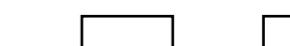


- 1- 24 V_~ power supply terminals
- 2- Master indicator or solid state relay terminals
- 3- Call display unit terminals
- 4- Door unit direction 1
- 5- Door unit direction 2
- 6- Door unit direction 3
- 7- Volt-free contact for DECT call forwarding or indicator or buzzer



■ Contact beat frequency

Normal call (0.5 Hz)



Emergency call (1 Hz)



* Direction: room from which the calls originate



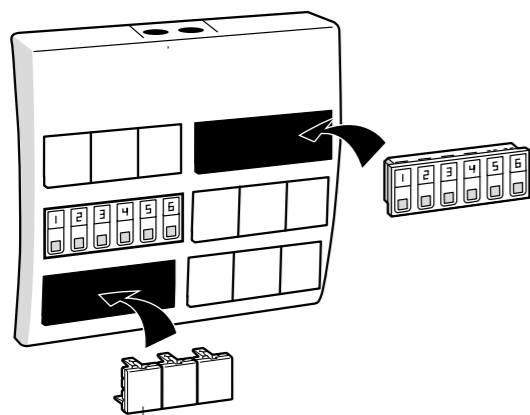
0 782 14: TABLE CONTROL UNIT

Support frame which can take up to 6 display units
Cat. No. 0 766 60.
Makes it easier to run cables when installing several display units.
Fit blanking plates over unused positions.

Technical characteristics

- Protection index: IP 40 with blanking plates
- Dimensions: 310 x 295 x 75 mm (36 modules)

Installation



Cat. No. 0 770 71



1 467 23 OU 0 035 67 AND E49 : POWER SUPPLIES

Réf. 0 782 09 : Powers the system with SELV.
Recommendation: 1 power supply for 36 directions (corresponds to 30% of simultaneous calls max.).

Technical characteristics

- Supply voltage: 230 V \sim \pm 10 % - 50/60 Hz
 - Output voltage: 29 V \equiv
Potentiometer set to maximum
 - Max. current: 2,5 A
 - Max. power: 60 W
 - Operating temperature: 5 à 40 °C
 - Storage temperature: -20 à 70 °C
 - Protection index: IP 30
 - Size: 3 DIN modules
 - Installation without phonics:
1 power supply for 25 directions*
 - Installation with phonics:
1 power supply for 16 directions*
- * Directions: rooms from which calls originate

Réf. 0 035 67 ou E49 : Powers the solid state relay for information transfer (indicator or buzzer).

Technical characteristics

- Supply voltage: 230 VA
- BUS output voltage: 27 V \equiv
- Max. BUS current: 600 mA
- Max. power: 21,5 W
- Max. consumption: 26,8 W
- Operating temperature: 5 à 40 °C
- Storage temperature: -20 à 70 °C
- Protection index: IP 20
- Size: 2 DIN modules



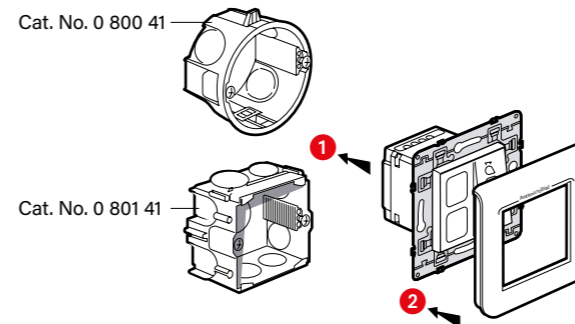
0 782 04: DOOR UNIT

Consisting of 2 white indicators to be covered with stickers (red, green, orange or blue) and a push-button for acknowledging the call and nurse presence.
Recommendation: Place the red sticker over the call indicator (top indicator).

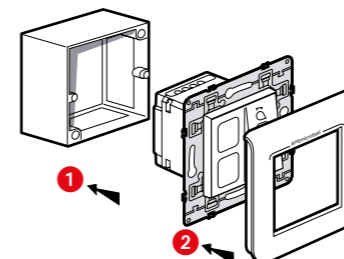
Technical characteristics

- Power supply: via management module Cat. No. 0 782 12
- Operating temperature: 5 to 40°C
- Storage temperature: -20 to 70°C
- Antimicrobial
- Protection index: IP 20
- Dimensions (H x W x D): 82 x 82 x 43 mm
- Installation:
- in 1-gang (2 modules) flush-mounting box Cat. No. 0 800 41 or Cat. No. 0 801 41 (concrete)
- in surface-mounting box Cat. No. 0 802 81 (IP 20)
- LED indicators with resistor in parallel:
- Impedance: 1 k Ω
- DC voltage: 9 to 31 V

Flush-mounted wall installation



Surface-mounted wall installation

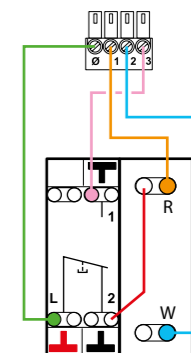


Connection (from 15W22)

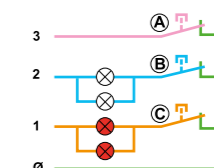
Management module
Cat. No. 0 782 12



Door unit
Cat. No. 0 782 04



R - Red LED indicator
W - White LED indicator



Ⓐ - Bathroom or biomedical pull cord
Ⓑ - Corded push-button or hand-held remote control
Ⓒ - Door unit



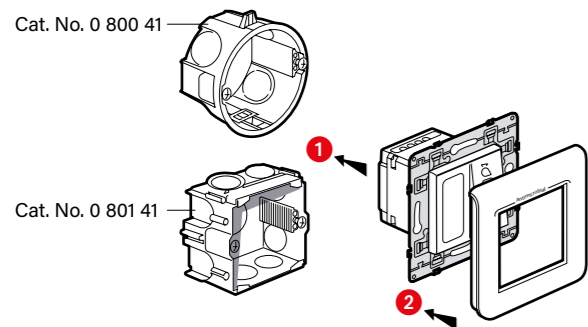
0 766 85: BATHROOM CALL UNITS OR CALL BUTTON

Technical characteristics

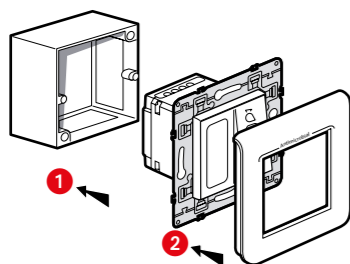
- Power supply: via management module Cat. No. 0 782 12
- Operating temperature: 5 to 40°C
- Storage temperature: -20 to 70°C
- Antimicrobial
- Protection index: IP 20
- Dimensions (H x W x D): 82 x 82 x 43 mm
- Installation:
 - in 1-gang (2 modules) flush-mounting box Cat. No. 0 800 41 or Cat. No. 0 801 41 (concrete)
 - in surface-mounting box Cat. No. 0 802 81 (IP 20)

Recommendation: Place the red sticker over the call indicator (top indicator).

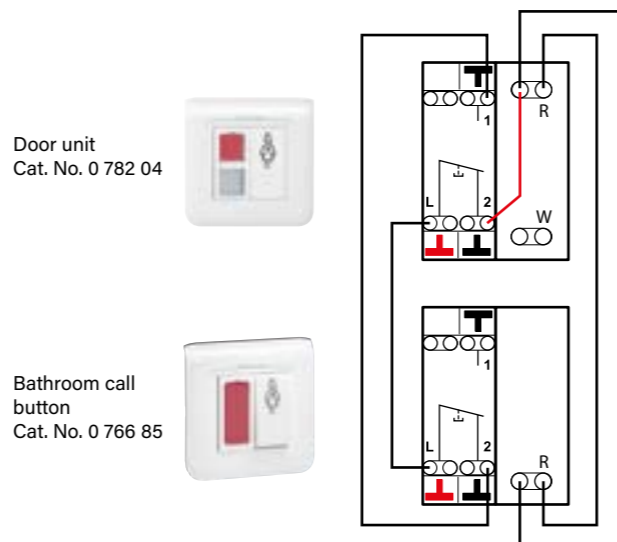
Flush-mounted wall installation



Surface-mounted wall installation

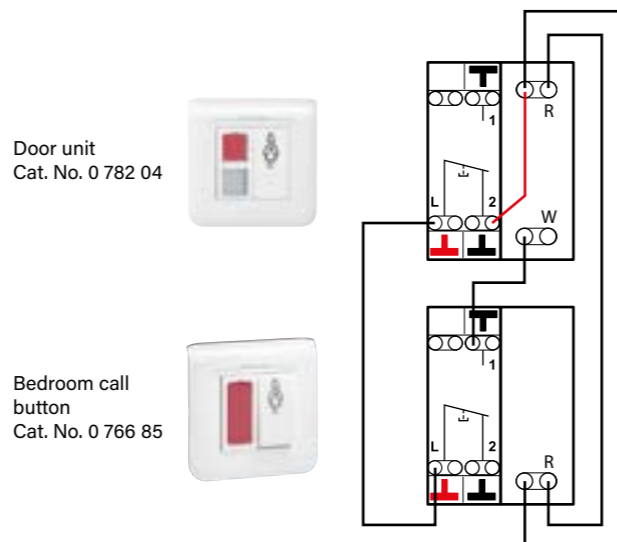


Bathroom call button connection (from 15W22)



R - Red LED indicator
W - White LED indicator

Bedroom call button connection (from 15W22)



R - Red LED indicator
W - White LED indicator



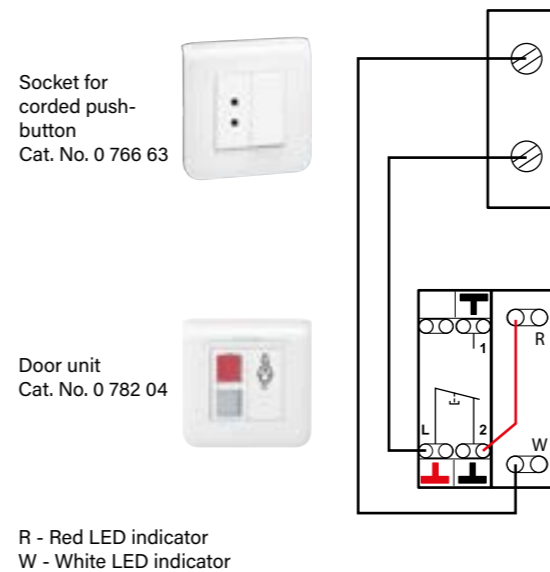
0 766 63: SOCKET FOR CORDED PUSH-BUTTON

Socket for corded push-button or biomedical alarm. Supplied on 2-module plate with blanking plate.

Technical characteristics

- Power supply: via management module Cat. No. 0 782 12
- Operating temperature: 5 to 40°C
- Storage temperature: -20 to 70°C
- Protection index: IP 20
- Dimensions: 82 x 82 x 36 mm
- Installation:
 - in 1-gang (2 modules) flush-mounting box Cat. No. 0 800 41 or Cat. No. 0 801 41 (concrete)
 - on the wall with surface-mounting box Cat. No. 0 802 81
- 12 mm fixing centres

Connection



R - Red LED indicator
W - White LED indicator



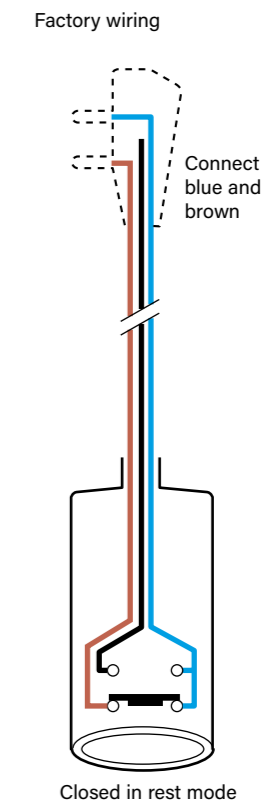
0 783 62: CORDED PUSH-BUTTON

Allows patients to call a nurse via the door unit. For use in conjunction with socket Cat. No. 0 766 63. With 12 mm fixing centre plug for 2P socket Cat. No. 0 771 50.

Technical characteristics

- Power supply: via socket for corded push-button
- Operating temperature: 5 to 40°C
- Storage temperature: -20 to 70°C
- Protection index: IP 20
- Cord length: 2 m
- Ejectable from 45° angle
- Factory-fitted NC contact. NO contact possible by replacing the brown wire in the plug with the black wire.

Conductor marking





0 782 41/46: SOCKETS FOR HAND-HELD REMOTE CONTROL UNITS

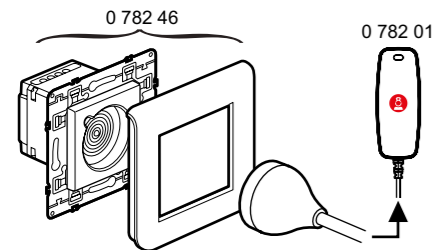
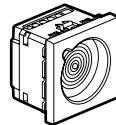
Sockets Cat. No. 0 782 41 for mounting in a strip and 0 782 46 for call-only hand-held remote control unit.

Magnetic connection between hand-held unit and socket: can be ejected in any direction with pull-out force designed to avoid any damage to the equipment.

Antimicrobial.

Non-indexed magnetic connection socket for hand-held remote control unit Cat. No. 0 782 01.

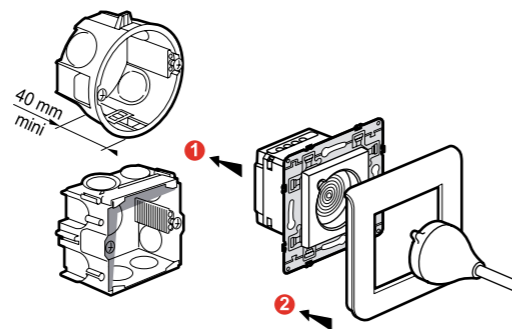
0 782 41



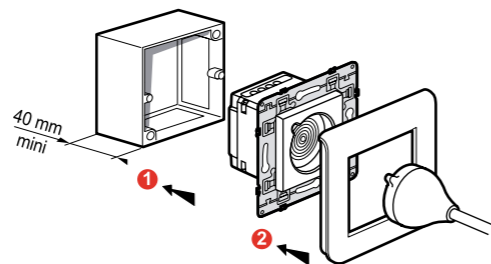
Technical characteristics

- Power supply: via the door unit
- Operating temperature: 5 to 40°C
- Storage temperature: -20 to 70°C
- Antimicrobial
- Protection index: IP 40
- Dimensions:
 - Cat. No. 0 782 41: 45 x 45 x 36 mm
 - Cat. No. 0 782 46: 82 x 82 x 36 mm
- Installation:
 - in 1-gang flush-mounting box (2 modules)
 - on wall with surface-mounting box Cat. No. 0 802 81
 - in a strip using special holder supplied

Flush-mounted wall installation with 1-gang flush-mounting box

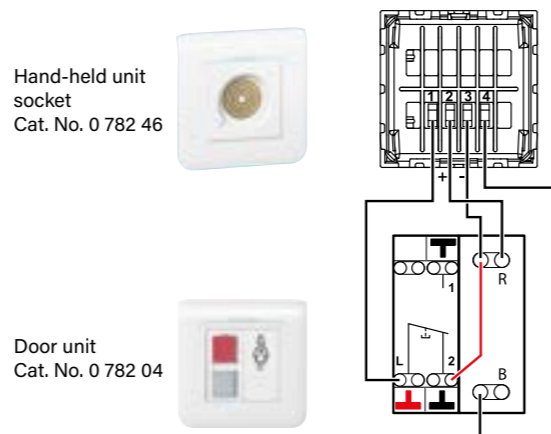


Surface-mounted wall installation with box Cat. No. 0 802 81



Connection

Example: 1 bed in a room.



R - Red LED indicator
W - White LED indicator



0 782 45/47: SOCKETS FOR HAND-HELD REMOTE CONTROL UNITS

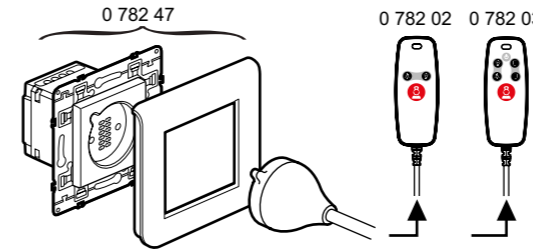
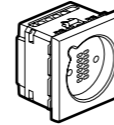
Sockets Cat. Nos. 0 782 45 and 0 782 47 for hand-held remote control units for calls and controls.

Magnetic connection between hand-held unit and socket: can be ejected in any direction with pull-out force designed to avoid any damage to the equipment.

Antimicrobial.

Indexed magnetic connection socket for hand-held remote control unit Cat. Nos. 0 782 02 and 782 03.

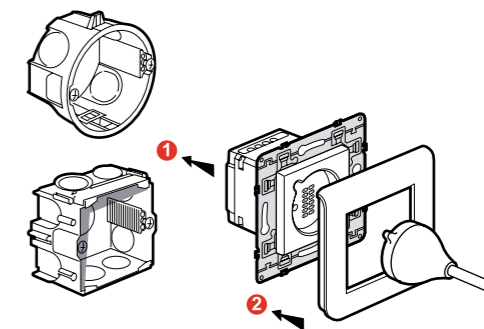
0 782 45



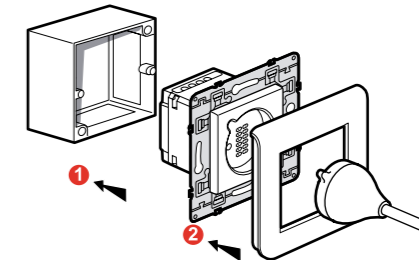
Technical characteristics

- Power supply:
 - via the door unit for nurse calls
 - via remote control module Cat. No. 0 783 77 or 0 783 78 or 0 783 79 for lighting and roller blinds
- Operating temperature: 5 to 40°C
- Storage temperature: -20 to 70°C
- Antimicrobial
- Protection index: IP 40
- Dimensions:
 - Cat. No. 0 782 45: 45 x 45 x 36 mm
 - Cat. No. 0 782 47: 82 x 82 x 36 mm
- Installation:
 - in 1-gang flush-mounting box (2 modules)
 - on wall with surface-mounting box Cat. No. 0 802 81

Flush-mounted wall installation with 1-gang flush-mounting box

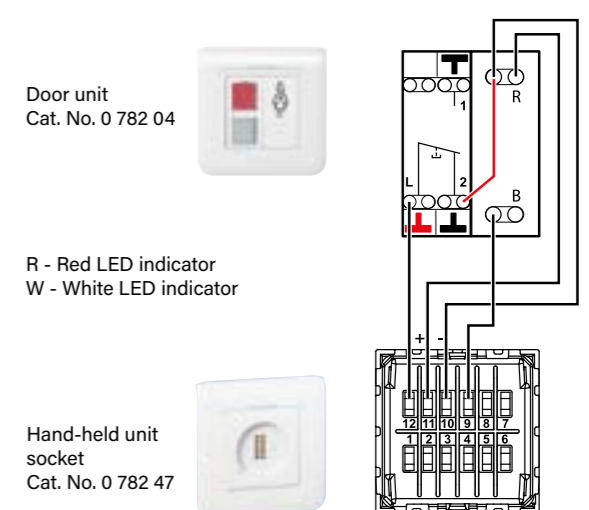


Surface-mounted wall installation with box Cat. No. 0 802 81



Connection

Example: 1 bed in a room.



R - Red LED indicator
W - White LED indicator



0 782 01/02/03: HAND-HELD REMOTE CONTROL UNITS

Allow patients to call a nurse (using an NC push-button with call confirmation indicator) via the door unit.

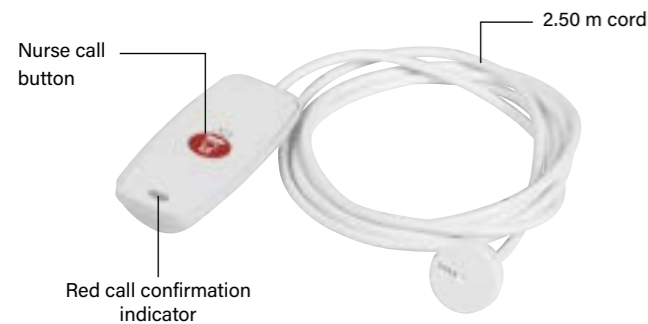
Magnetic connection between hand-held units and sockets: can be ejected in any direction with pull-out force designed to avoid any damage to the equipment.

These products are compatible with other nurse call systems with an NC (Normally Closed) contact on 2 terminals and LED call confirmation indicator on 2 terminals.

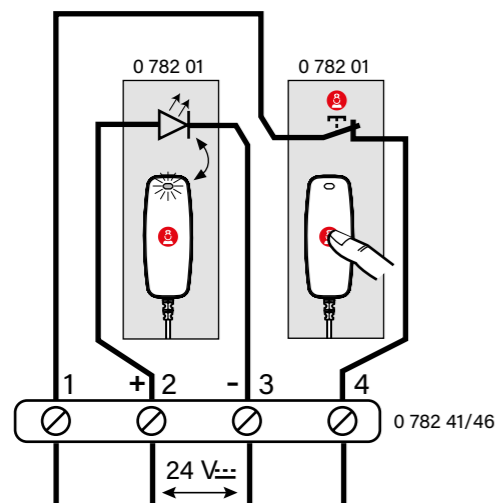
Recommended cleaning: use wipes impregnated with detergent for food contact surfaces (Dettol, etc).

Hand-held remote control unit for call only (corded push-button) Cat. No. 0 782 01

For use with socket Cat. No. 0 782 41 or 0 782 46.

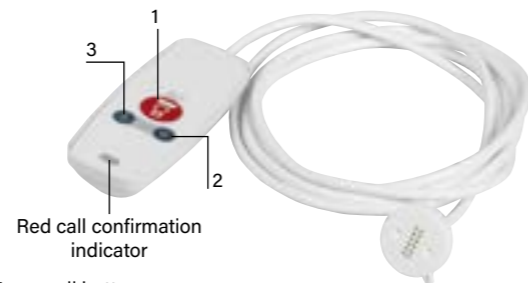


Connection



Hand-held remote control unit for calls and controls Cat. No. 0 782 02

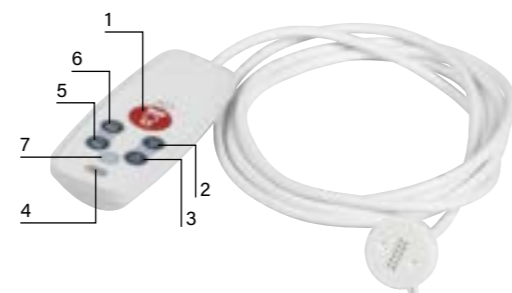
For use with socket Cat. No. 0 782 45 or 0 782 47.



- 1- Nurse call button
- 2- Reading light control (NO push-button)
- 3- Room lighting control (NO push-button)

Hand-held remote control unit for calls and controls Cat. No. 0 782 03

For use with socket Cat. No. 0 782 45 or 0 782 47.



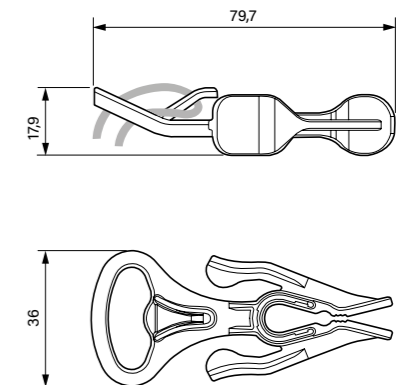
- 1- Nurse call button
- 2- Reading light control (NO push-button)
- 3- Room lighting control (NO push-button)
- 4- Red call confirmation indicator
- 5 and 6- Roller blind control (NO push-button)
- 7- Free function button (NO push-button)



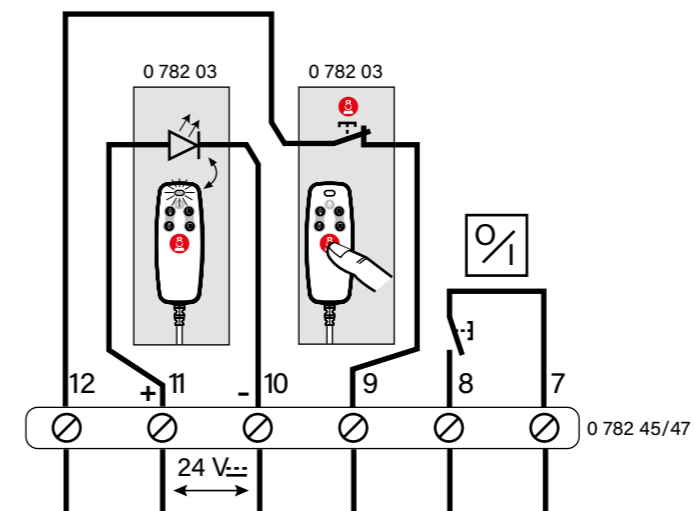
0 782 43: CLAMP FOR CORDED PUSH-BUTTON

For holding the corded push-button within reach: on bedding, clothes or the arm of a chair.

Overall dimensions



Connection



Technical characteristics

- Power supply: via sockets for hand-held remote control units
- Operating temperature: 5 to 40°C
- Storage temperature: -20 to 70°C
- Antimicrobial
- Protection index: IP 67 (without plug)
- Cord length: 2.5 m
- Can be fixed or held in place with clamp Cat. No. 0 782 43
- LED indicators with resistor in parallel:
 - Impedance: 12,45 kΩ
 - DC voltage: 9 to 31 V



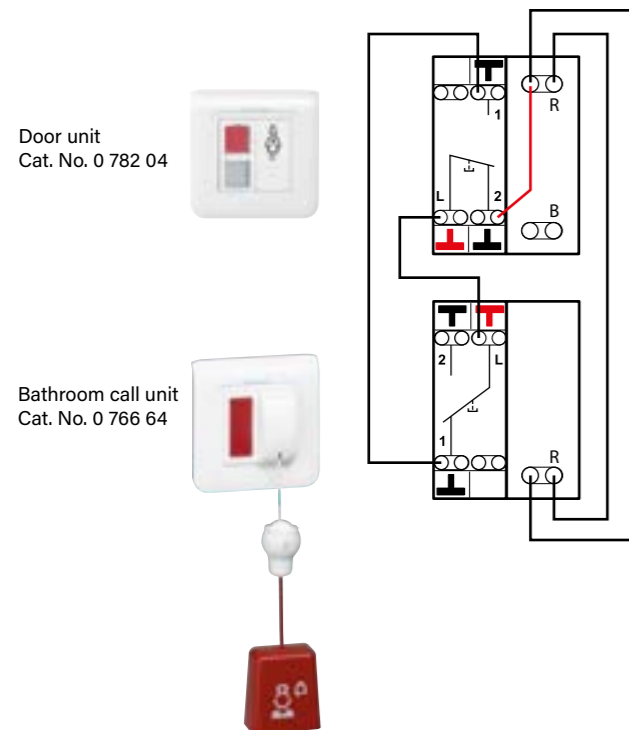
0 766 64: BATHROOM CALL PULL-CORD (18W10)

Bathroom call unit with vertical pull-cord button and integrated LED indicator.

Technical characteristics

- Power supply: via door unit Cat. No. 0 782 04
- Consumption: 0.8 W
- Operating temperature: 5 to 40°C
- Storage temperature: -20 to 70°C
- Protection index: IP 20
- Dimensions: 82 x 82 x 43 mm
- Installation:
 - surface-mounted with box Cat. No. 0 802 81
 - flush-mounted in 1-gang (2 modules) flush-mounting box depth 40 mm Cat No. 0 819 41 or 0 801 41
- Antibacterial

Connection



R - Red LED indicator
W - White LED indicator



9 804 12: SPARE PART FOR BATHROOM CALL PULL-CORD

Spare cord in case one breaks or is lost.

Technical characteristics

- Antibacterial
- Length 1.5 m



0 766 72: DOUBLE DISPLAY CORRIDOR OVERDOOR LIGHT UNIT

Double indicator (red/white).

Displays calls and nurse presence in the corridor.

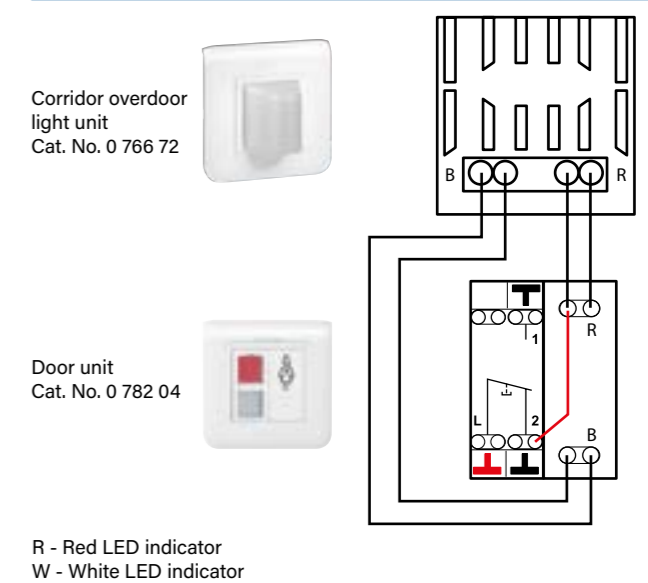
With long-life LEDs.

Caution: only this catalogue number is compatible with the Mosaic system.

Technical characteristics

- Power supply: via door unit Cat. No. 0 782 04
- Consumption: 1.2 W
- Operating temperature: 5 to 40°C
- Storage temperature: -20 to 70°C
- Protection index: IP 20
- Dimensions: 82 x 82 x 43 mm
- Installation:
 - surface-mounted with box Cat. No. 0 802 81
 - flush-mounted in 1-gang (2 modules) flush-mounting box depth 40 mm Cat No. 0 819 41 or 0 801 41

Connection



R - Red LED indicator
W - White LED indicator



0 766 71: CALL TRANSFER UNIT FOR CORRIDORS

Transfers calls from a ward into the corridor.

Technical characteristics

- Power supply: 27 V= (via indicator power supply)
- Operating temperature: 5 to 40°C
- Storage temperature: -20 to 70°C
- Protection index: IP 20
- Dimensions (H x W): 82 x 82 mm
- Installation:
 - in 1-gang flush-mounting box
 - surface-mounted with box Cat. No. 0 802 81



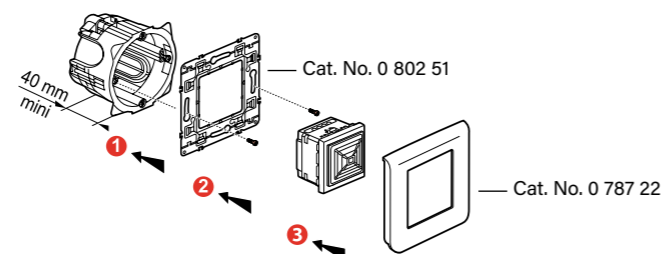
0 766 42: ELECTRONIC BUZZER

Audible call transfer from a ward.

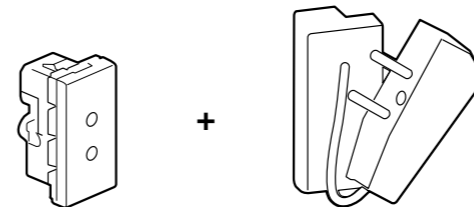
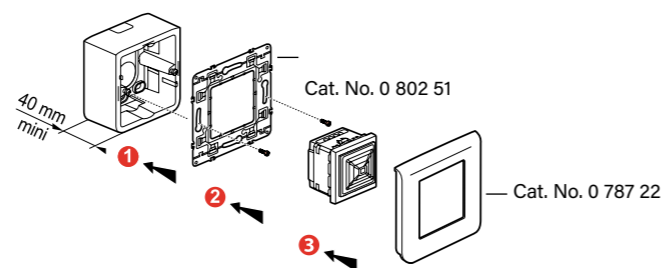
Technical characteristics

- Power supply: 27 V= (via power supply Cat. No. 0 035 67)
- Consumption: 9 mA
- Operating temperature: -10°C to +55°C
- Storage temperature: -20 to 70°C
- Protection index: IP 41-IK 05
- Sound level: 80 dB(A) at 1 m
- Overall dimensions (H x W): 45 x 45 mm

Flush-mounted wall installation in 1-gang screw flush-mounting box



Surface-mounted wall installation with box Cat. No. 0 802 81



0 771 50 + 0 782 07: BIOMEDICAL CALL PLUG AND SOCKET

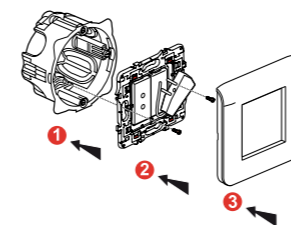
Signals the end of a cycle via an alarm on the nurse call system. For connection to portable electrical medical devices such as syringe pumps, respirators, etc.

- Comprises:
- Socket Cat. No. 0 771 50
 - Shunt plug Cat. No. 0 782 07: For biomedical alarm standby. Used with socket Cat. No. 0 771 50.

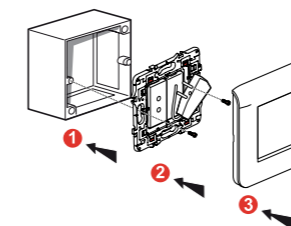
Technical characteristics

- Power supply: via door unit Cat. No. 0 782 04
- Operating temperature: 5 to 40°C
- Storage temperature: -20 to 70°C
- Protection index: IP 20
- Overall dimensions (H x W): 45 x 22.5 mm
- Installation:
 - in 1-gang flush-mounting box with universal Batibox support Cat. No. 0 802 51
 - surface-mounted with box Cat. No. 0 802 81 and universal Batibox support Cat. No. 0 802 51
 - can be installed in trunking, or in bedhead strips or trunking units

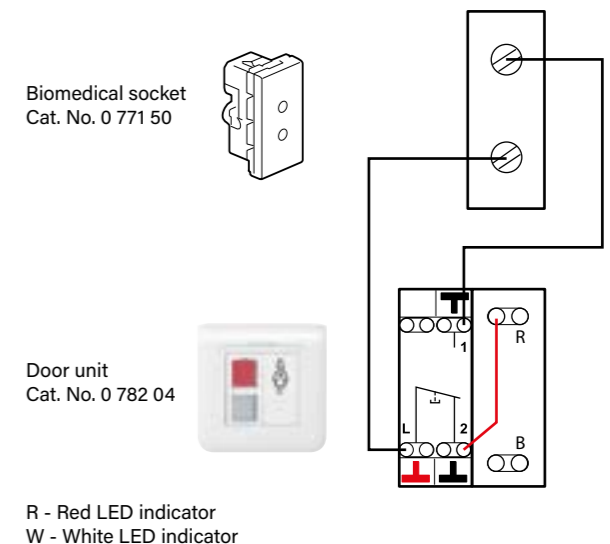
Flush-mounted wall installation in 1-gang flush-mounting box with support Cat. No. 0 802 51



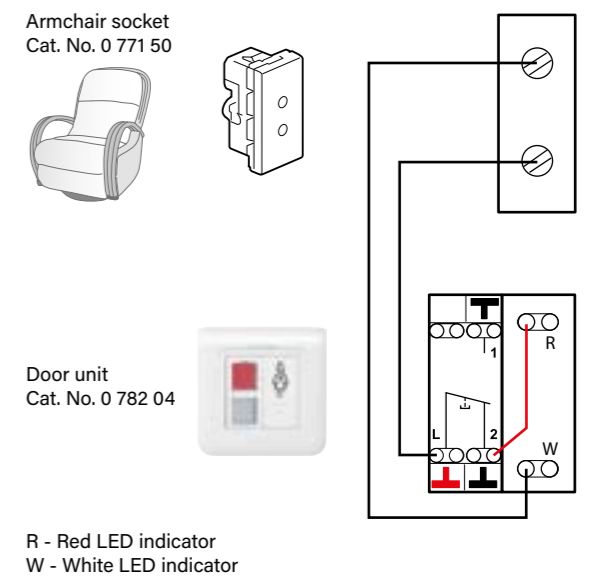
Flush-mounted wall installation in 1-gang flush-mounting box with support Cat. No. 0 802 51



Biomedical socket connection (emergency call)

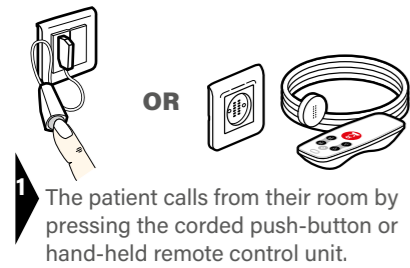


Armchair socket connection (normal call)

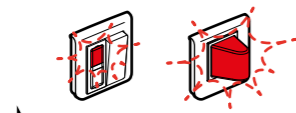


CALL + NURSE PRESENT

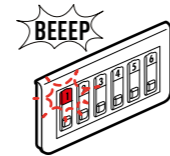
1 - Patient calls from room



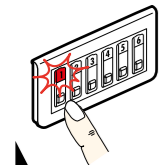
1 The patient calls from their room by pressing the corded push-button or hand-held remote control unit.



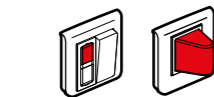
2 The door unit indicator and the corridor overdoor light flash red slowly.



In the nurses' station, the room number lights up red and flashes slowly, and the buzzer beeps slowly.

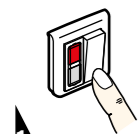


3 From the nurses' station, the nurse acknowledges the call by pressing the mute button. The red indicator changes from flashing to steady and the buzzer stops.

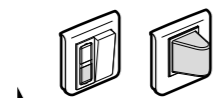


4 The door unit indicator and the corridor overdoor light change from flashing red to steady red.

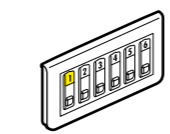
2 - Nurse present in the room



1 On entering the room, the nurse signals her presence by pressing the door unit push-button.

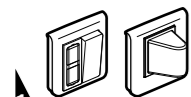


2 The red door unit indicator goes out and the white indicator lights up. The corridor overdoor light changes from red to white.



In the nurses' station, the red indicator goes out and the yellow indicator returns to steady state.

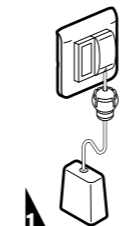
3 - Acknowledgement of the call



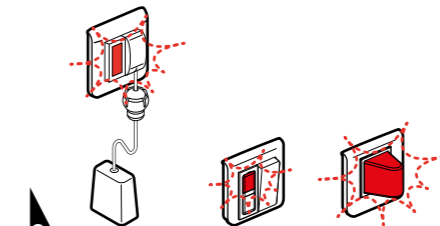
1 On leaving the room, the nurse presses the door unit push-button and clears the call. All the indicators and the overdoor light go out.

BATHROOM CALL + NURSE PRESENT

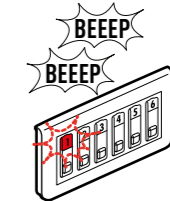
1 - Patient calls from bathroom



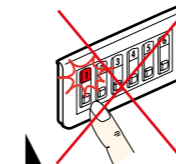
1 The patient calls from the bathroom by pulling the cord.



2 The door unit indicator, the indicator in the bathroom and the corridor overdoor light flash red quickly.

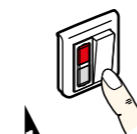


In the nurses' station, the room number is displayed, the indicator flashes red quickly and the buzzer beeps quickly.

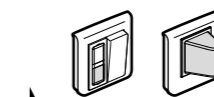


3 Muting is not possible from the nurses' station. The nurse must go to the patient's bathroom.

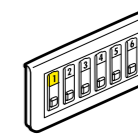
2 - Nurse present in the room



1 On entering the room, the nurse signals her presence by pressing the door unit push-button.



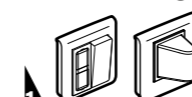
2 The door unit red indicator and the corridor overdoor light go out. The door unit indicator and the corridor overdoor light come on with a steady white light.



In the nurses' station, the red indicator goes out and the yellow indicator returns to steady state.

Since bathroom calls are priority calls, the nurse must go to the room. Muting is not possible.

3 - Acknowledgement of the call



1 On leaving the room, the nurse presses the door unit push-button and clears the call. All the indicators and the overdoor light go out.

CALL FOR NURSE ASSISTANCE (EMERGENCY)

- 1 - Patient calls from room
- 2 - Nurse present in the room
- 3 - Nurse assistance request

1 The patient calls from their room by pressing the corded push-button or hand-held remote control unit.

2 The door unit indicators and the corridor overdoor light flash quickly, alternating red and white.

3 In the nurses' station, the indicator flashes quickly, alternating red and yellow; the buzzer beeps quickly.

4 Muting is not possible from the nurses' station. The nurse must go to the patient's room.

5 On entering the room, the 2nd nurse presses the door unit push-button.

6 The door unit red indicator and the corridor overdoor light go out. The door unit indicator and the corridor overdoor light come on with a steady white light.

In the nurses' station, the red indicator goes out and the yellow indicator returns to steady state.

7 On leaving the room, the nurse presses the door unit push-button and clears the call. All the indicators and the overdoor light go out.

NURSE PRESENT + CALL FROM ANOTHER ROOM

- 1 - Patient calls from room 1
- 2 - Nurse present in room 1
- 3 - Another patient calls from room 2

1 The patient calls from room 1 by pressing the corded push-button or hand-held remote control unit.

2 The door unit indicator and the corridor overdoor light for room 1 flash red slowly.

3 In the nurses' station, room number 2 lights up red and flashes slowly, and the buzzer beeps slowly.

4 In room 1 (and in the other rooms in the ward where a nurse is present): the door unit indicators and corridor overdoor lights flash white slowly.

5 On entering room 2, the nurse presses the door unit push-button.

6 In room 1 (and in the other rooms in the ward where a nurse is present): the door unit indicators and corridor overdoor lights stop flashing.

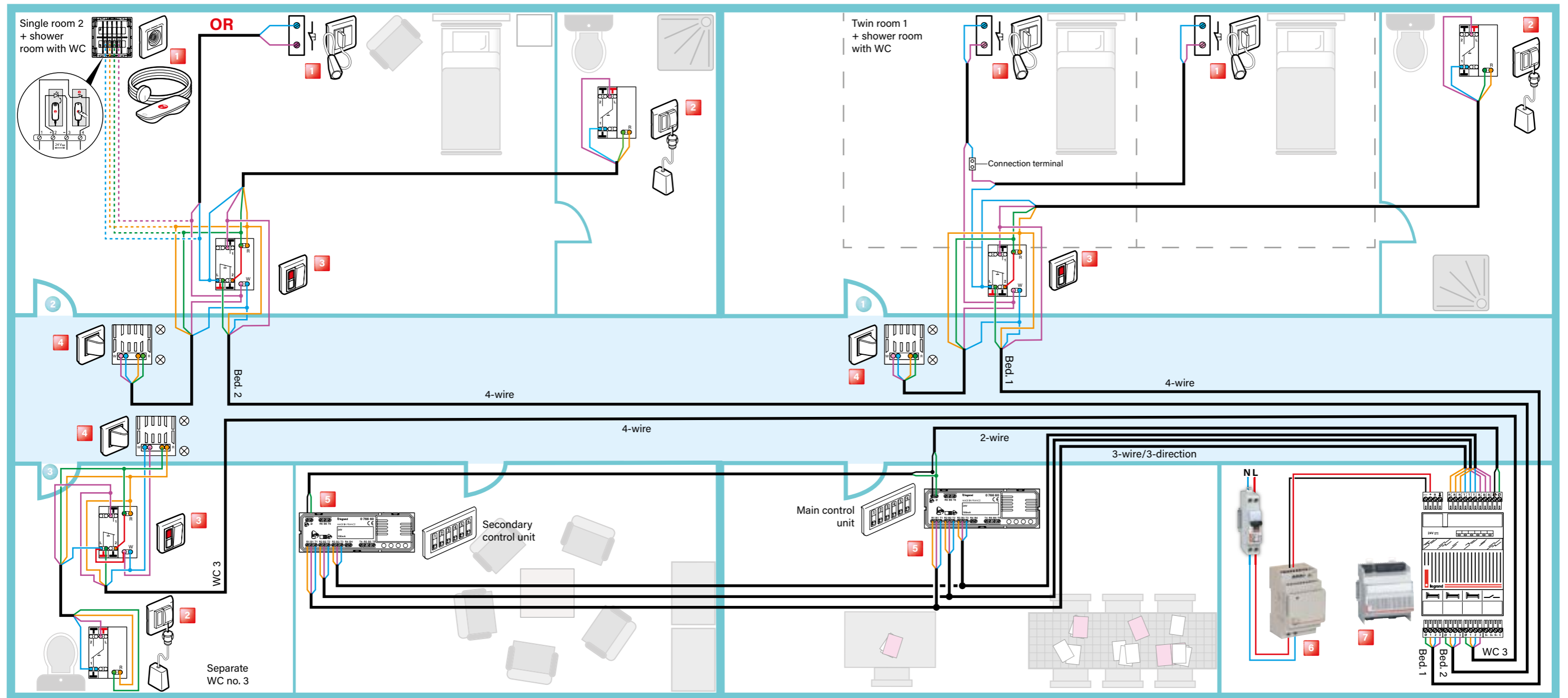
7 On leaving room 1, nurse 1 presses the door unit push-button and clears the call. All the indicators and the overdoor light go out.

8 In the nurses' station, room number 1 stops flashing and returns to a steady yellow light.

9 On leaving room 2, the nurse presses the door unit push-button and clears the call. All the indicators and the overdoor light go out.

10 In the nurses' station, room number 2 goes out.

CALL + PRESENCE INSTALLATION FOR NURSING HOMES AND RESIDENTIAL HOMES FOR THE ELDERLY



1 Magnetic socket Cat. No. 0 782 46 + hand-held remote control unit
Cat. No. 0 782 01 or socket for corded push-button Cat. No. 0 766 63
+ corded push-button Cat. No. 0 783 62

3 Door unit Cat. No. 0 782 04

5 6-direction call display unit Cat. No. 0 766 60

7 3-direction management module Cat. No. 0 782 12

2 Bathroom call pull cord Cat. No. 0 766 64

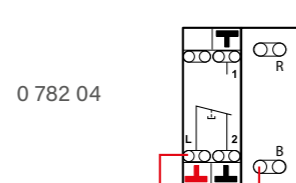
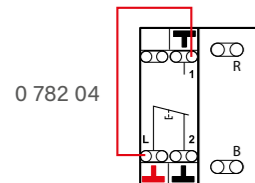
4 Double display corridor overdoor light unit Cat. No. 0 766 72

6 29 V power supply Cat. No. 1 467 23

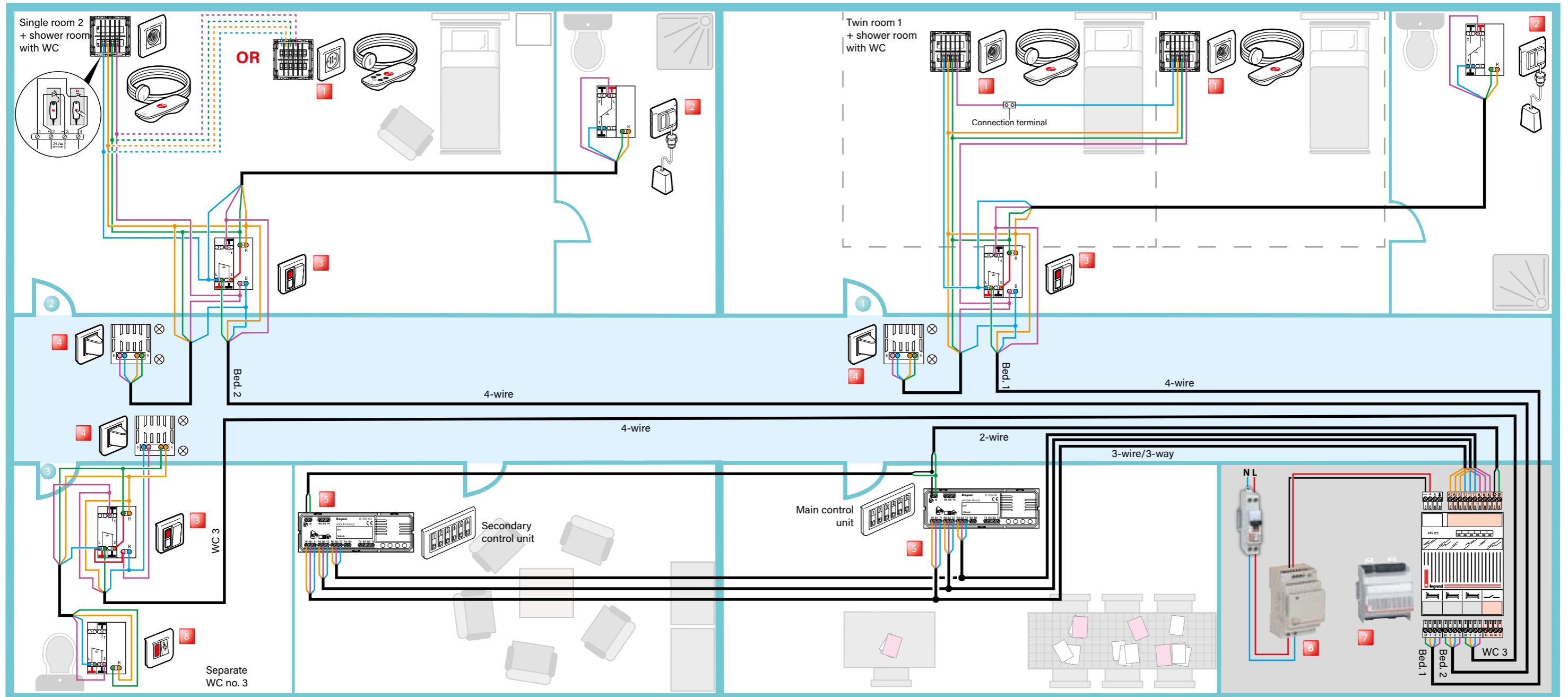
⚠ Use wires with identical diameter. Recommendation: Use 0.9 mm² SYT cable.

If there is no bathroom pull-cord, make a shunt:

If there is no push-button cord (same as WC no. 3), make a shunt:



CALL + PRESENCE INSTALLATION WITH HAND-HAND-HELD REMOTE CONTROL UNITS AND MAGNETIC SOCKETS



- Socket + hand-held remote control unit for call
Cat. Nos. 0 782 41/46 + 0 782 01 or socket + hand-held remote
control unit for call Cat. Nos. 0 782 45/47 + 0 782 02/03
- Bathroom call pull cord Cat. No. 0 766 64

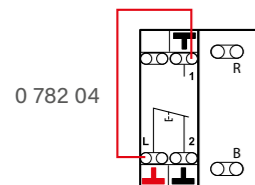
- Door unit Cat. No. 0 782 04
- Double display corridor overdoor light unit Cat. No. 0 766 72

- 6-direction call display unit Cat. No. 0 766 60
- 29 V power supply Cat. No. 1 467 23

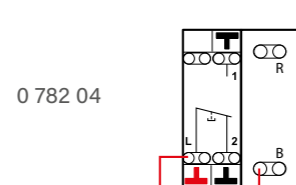
- 3-direction management module Cat. No. 0 782 12
- WC call unit Cat. No. 0 766 85

⚠ Use wires with identical diameter. Recommendation: Use 0.9 mm² SYT cable.

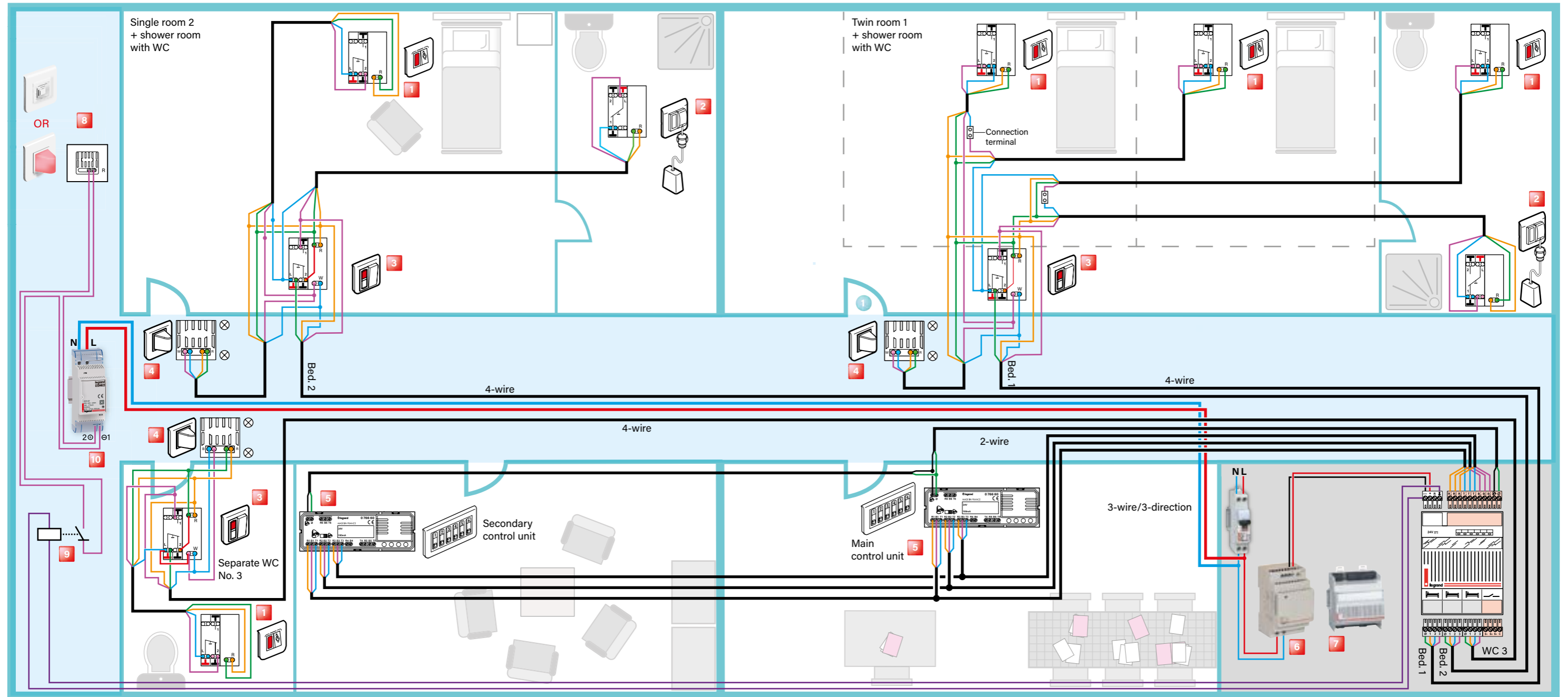
If there is no bathroom
pull-cord, make a shunt:



If there is no push-button cord
(same as WC no. 3), make a shunt:



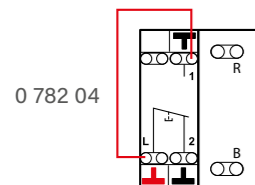
CALL + PRESENCE INSTALLATION WITH CALL VIA PUSH-BUTTON WITH INDICATOR AND INFORMATION TRANSFER



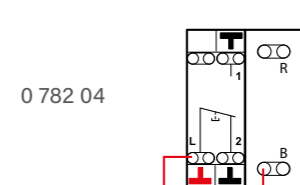
- 1** Bedhead or WC call unit Cat. No. 0 766 85
- 2** Bathroom call pull cord Cat. No. 0 766 64
- 3** Door unit Cat. No. 0 782 04
- 4** Double display corridor overdoor light unit Cat. No. 0 766 72
- 5** 6-direction call display unit Cat. No. 0 766 60
- 6** 29 V power supply Cat. No. 1 467 23
- 7** 3-direction management module Cat. No. 0 782 12
- 8** Electronic buzzer Cat. No. 0 766 42 or Call only corridor overdoor light unit Cat. No. 0 766 71
- 9** 24 V= solid state relay with 1 module
- 10** Auxiliary power supply Cat. No. 0 035 67

⚠ Use wires with identical diameter. Recommendation: Use 0.9 mm² SYT cable.

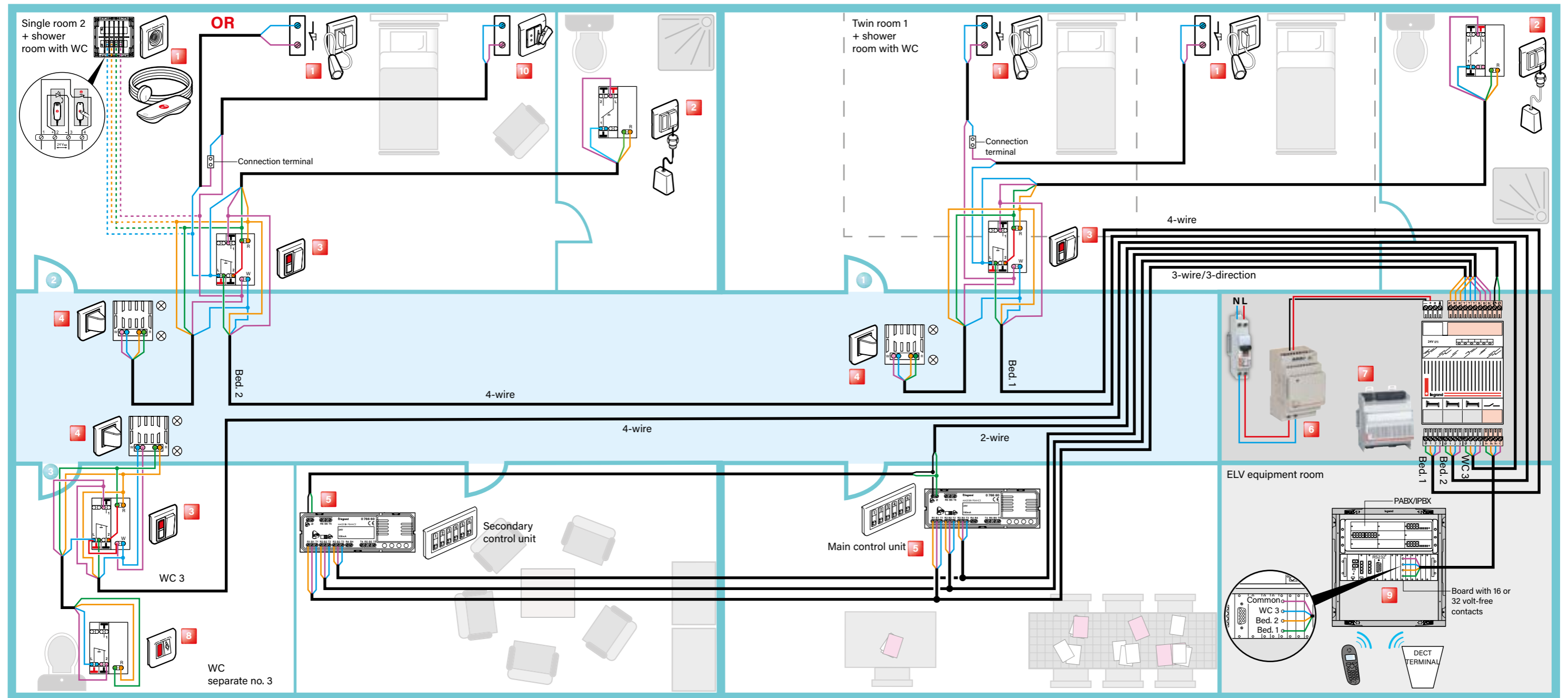
If there is no bathroom pull-cord, make a shunt:



If there is no push-button cord (same as WC no. 3), make a shunt:



BED + ARMCHAIR CALL + PRESENCE INSTALLATION FOR NURSING HOMES AND RESIDENTIAL HOMES FOR THE ELDERLY WITH DECT INTERFACE (INTEGRATED TRACEABILITY)



1 Socket + hand-held remote control unit for call Cat. Nos. 0 782 41/46 + 0 782 01 or socket for corded push-button Cat. No. 0 766 63 + corded push-button Cat. No. 0 783 62

3 Door unit Cat. No. 0 782 04

5 6-direction call display unit Cat. No. 0 766 60

8 WC call unit Cat. No. 0 766 85

2 Bathroom call pull cord Cat. No. 0 766 64

4 Double display corridor overdoor light unit Cat. No. 0 766 72

6 29 V power supply Cat. No. 1 467 23

9 Telephone coupler (integrated traceability) (telephony package)

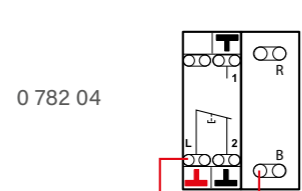
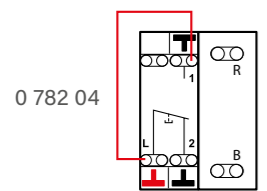
⚠ Use wires with identical diameter. Recommendation: Use 0.9 mm² SYT cable.

7 3-direction management module Cat. No. 0 782 12

10 Armchair socket Cat. Nos. 0 771 50 + 0 782 07

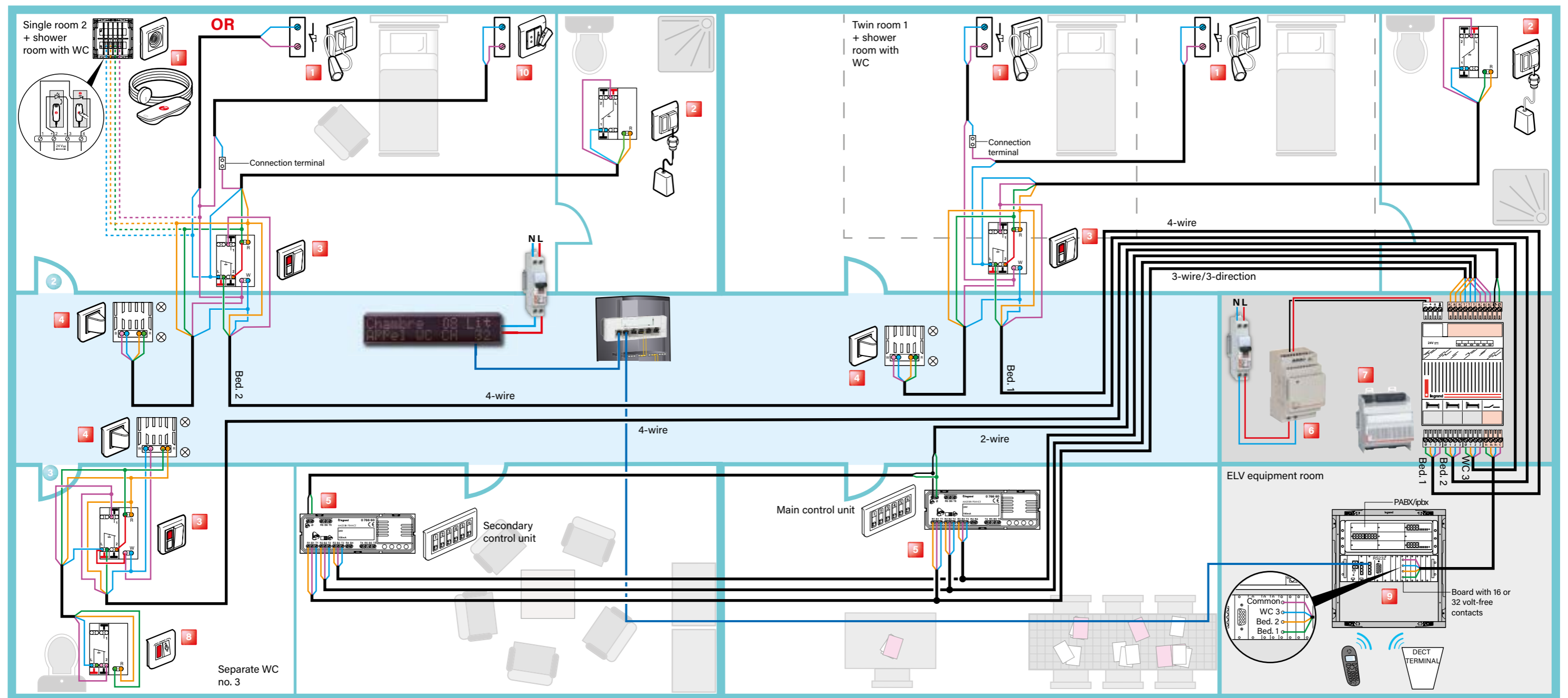
If there is no bathroom pull-cord, make a shunt:

If there is no push-button cord (same as WC no. 3), make a shunt:



CALL + BIOMEDICAL + PRESENCE INSTALLATION FOR CLINIC AND HOSPITALS WITH CORRIDOR DISPLAY UNITS

(INTEGRATED TRACEABILITY)



1 Socket + hand-held remote control unit for call Cat. Nos. 0 782 41/46 + 0 782 01 or socket for corded push-button Cat. No. 0 766 63 + corded push-button Cat. No. 0 783 62

3 Door unit Cat. No. 0 782 04

5 6-direction call display unit Cat. No. 0 766 60

8 WC call unit Cat. No. 0 766 85

2 Bathroom call pull cord Cat. No. 0 766 64

4 Double display corridor overdoor light unit Cat. No. 0 766 72

6 29 V power supply Cat. No. 1 467 23

9 Telephone coupler (integrated traceability) (telephony package)

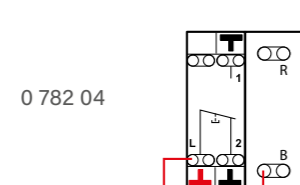
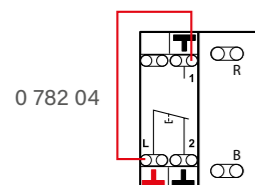
⚠ Use wires with identical diameter. Recommendation: Use 0.9 mm² SYT cable.

7 3-direction management module Cat. No. 0 782 12

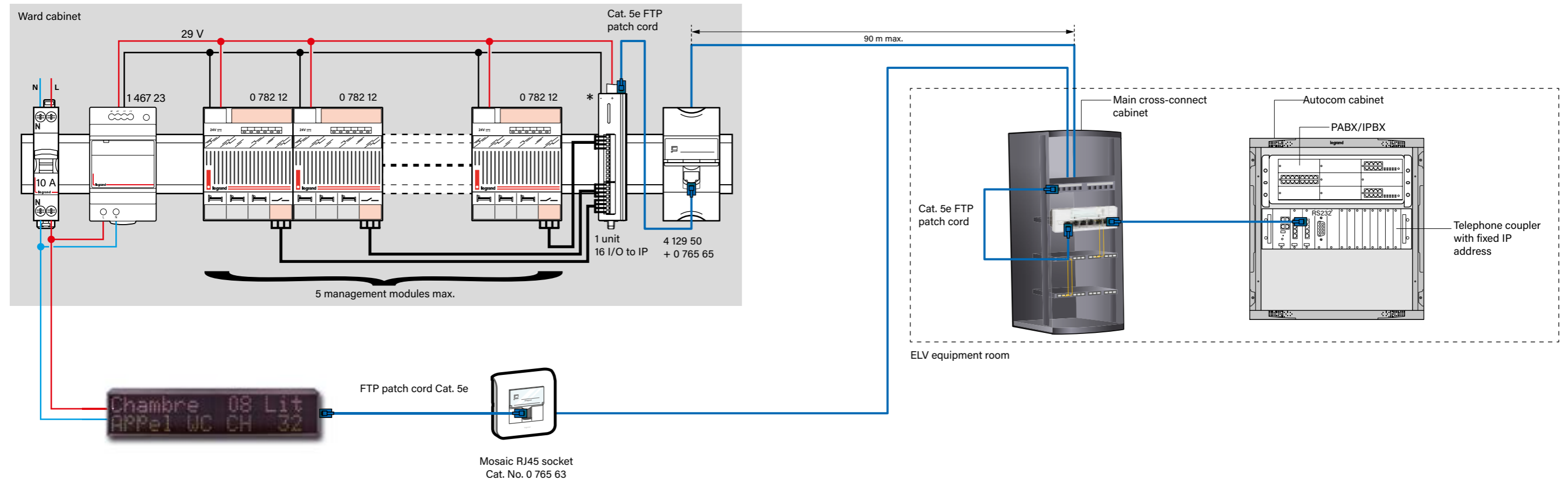
10 Biomedical alarm Cat. Nos. 0 771 50 + 0 782 07

If there is no bathroom pull-cord, make a shunt:

If there is no push-button cord (same as WC no. 3), make a shunt:



230 V CABLE FOR PATIENT CALL + CORRIDOR DISPLAY UNITS AND IP NETWORK CABLING

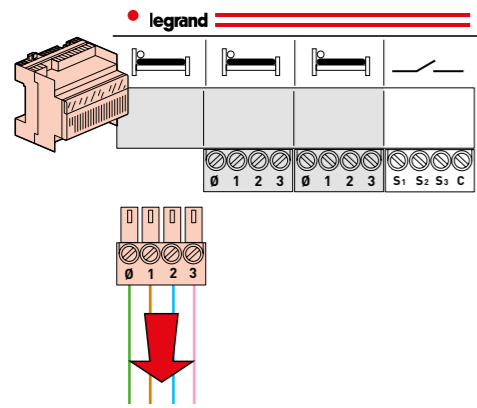


* Volt-free contact interface module with 16 I/O to IP.
Supply with 24 V or PoE (check the power supply power rating).

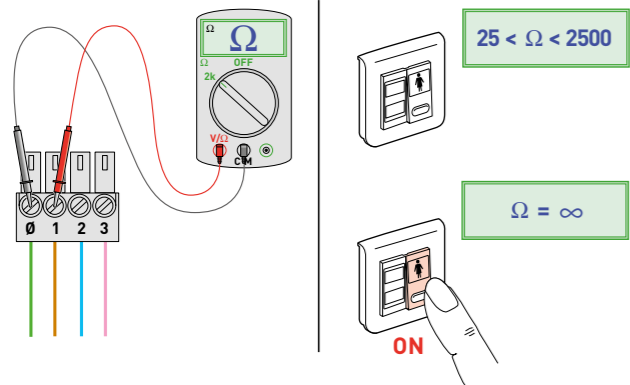
⚠ Test MUST be performed with the power OFF whenever the installation is modified

CHECK BEFORE SWITCH-ON

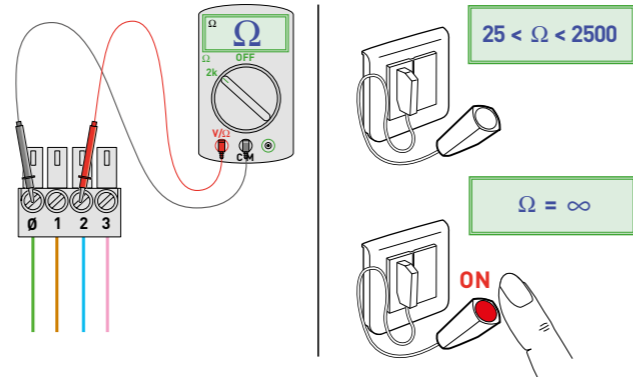
Step 1: Unplug the connector



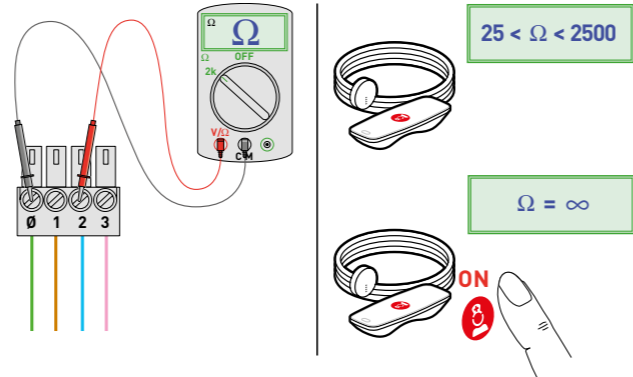
Step 2: Test circuit 1



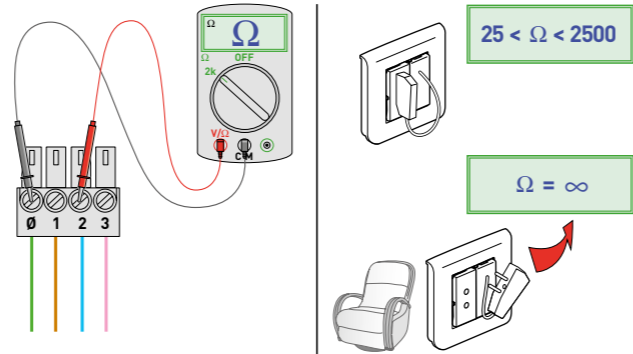
Step 3: Test circuit 2



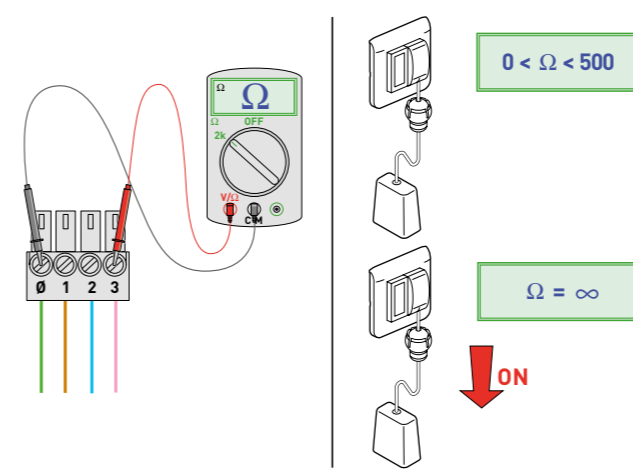
OR



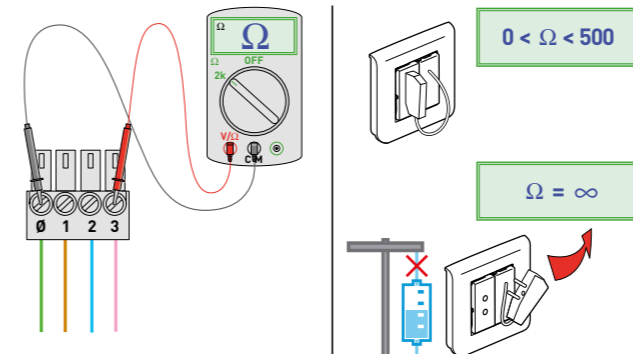
OR



Step 4: Test circuit 3

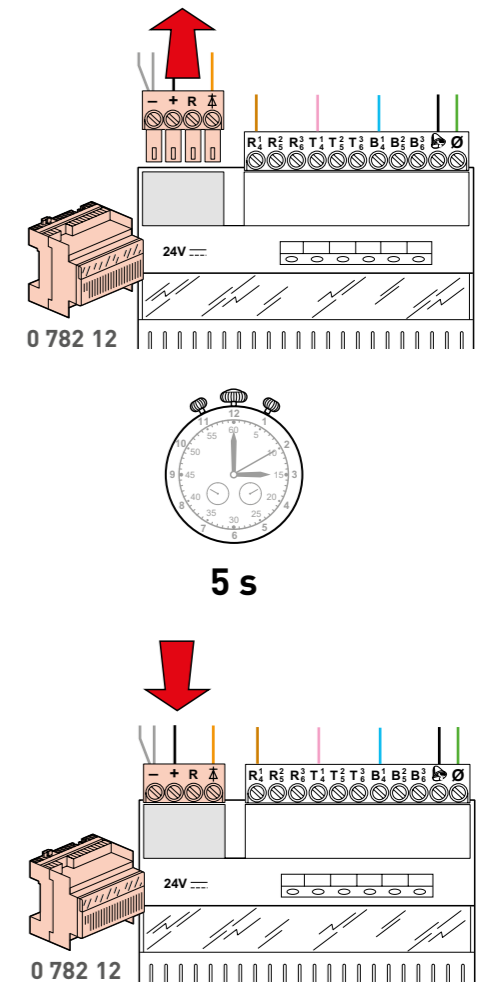


OR



⚠ Repeat the steps for each direction

RESETTING THE MODULE




FAULT TYPE	DIAGNOSTICS
The corridor overdoor light is flashing white quickly	Door unit Cat. No. 0 782 04 faulty
The corridor overdoor light is flashing red slowly	Corded push-button faulty
The corridor overdoor light is flashing red quickly	Biomedical system or bathroom pull-cord faulty
One of the room LED indicators is faintly lit and never goes out	Management module is damaged and needs to be replaced
The indicator light on hand-held remote control unit 0 782 01/02/03 does not come on	The indicator light polarity on the magnetic socket is undoubtedly the wrong way round



LE08358AE_Mars 2026

FOLLOW
US ON

@ www.legrand.com

 www.youtube.com/legrand

 www.twitter.com/legrand



Head Office
and International Management
87045 Limoges Cedex - France
Tel: +33(0)5 55 06 87 87
Fax: +33(0)5 55 06 74 55