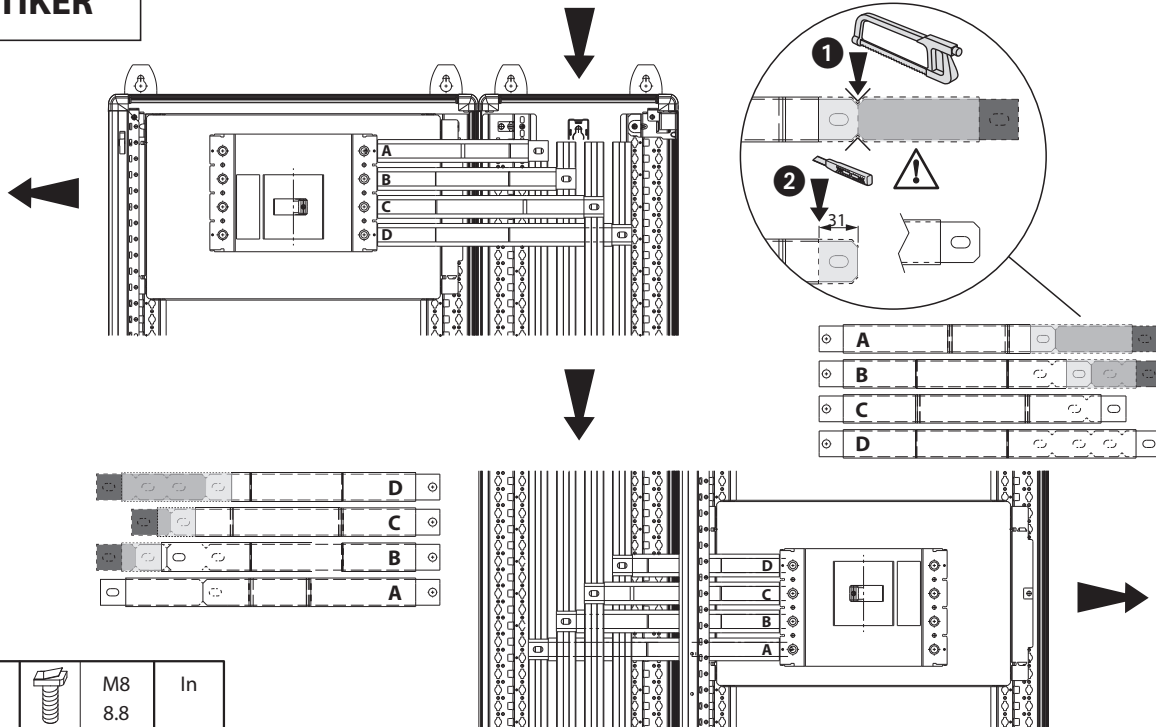



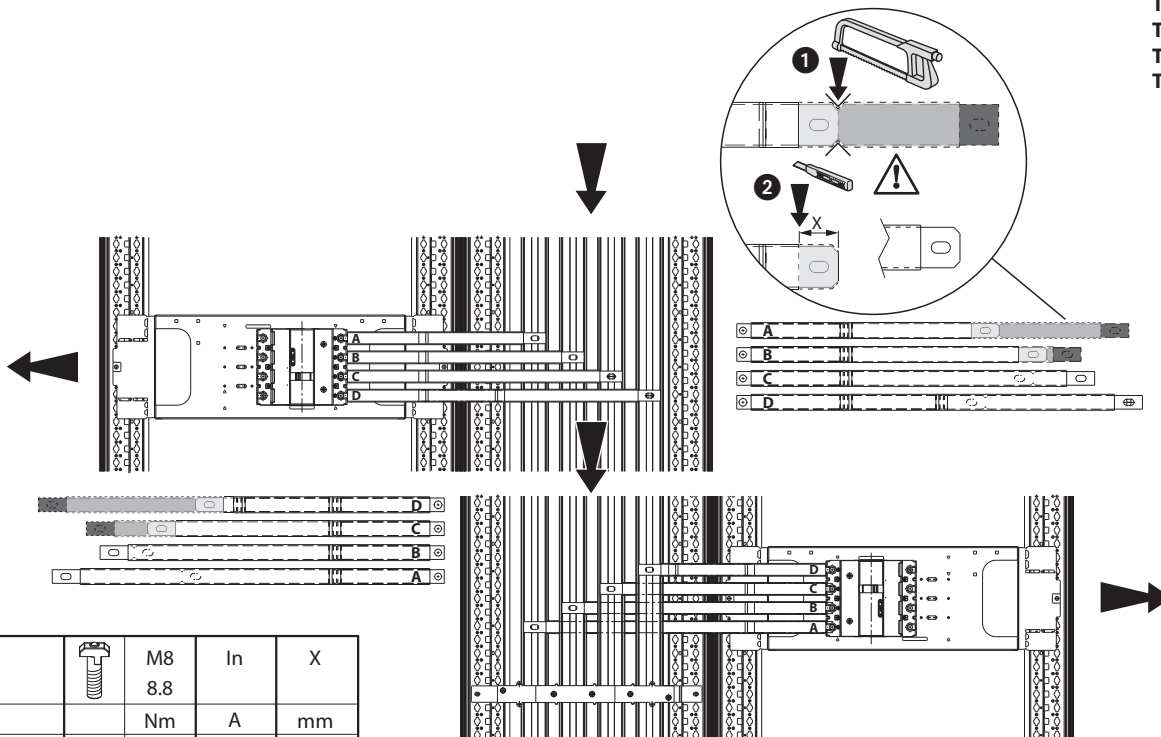
MEGATIKER


TKC160E
TKC250E
TKC630E



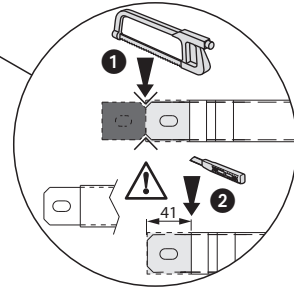
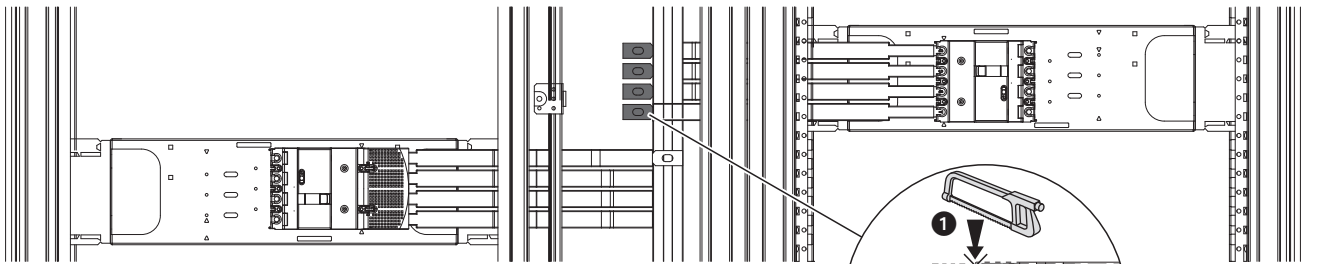
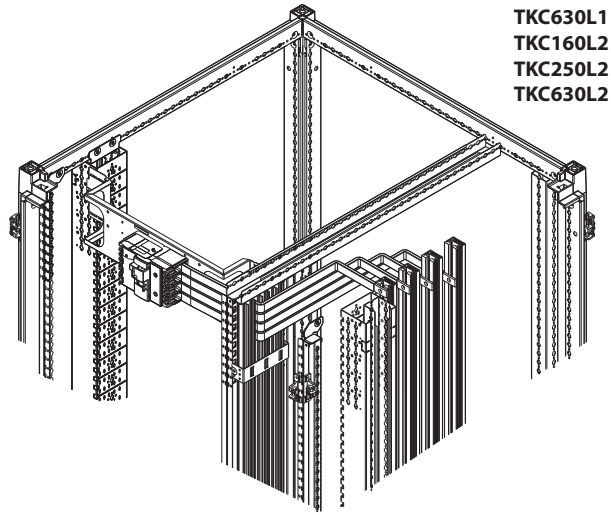
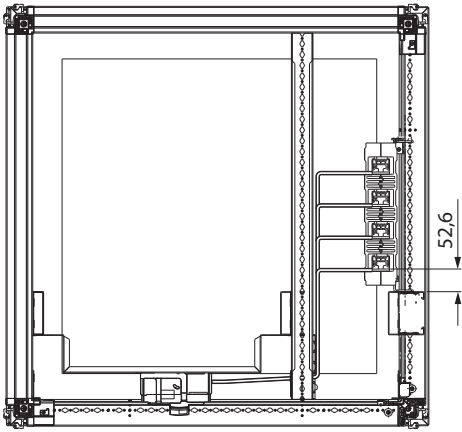
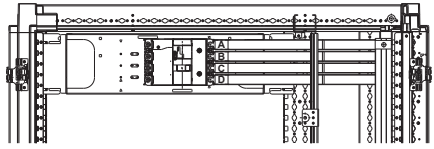
		M8 8.8	In
		Nm	A
TKC160E	x 4	20	160
TKC250E	x 4	20	250
TKC630E	x 4	20	630



TKC160B8E
TKC250B8E
TKC630B8E
TKC1600B8E



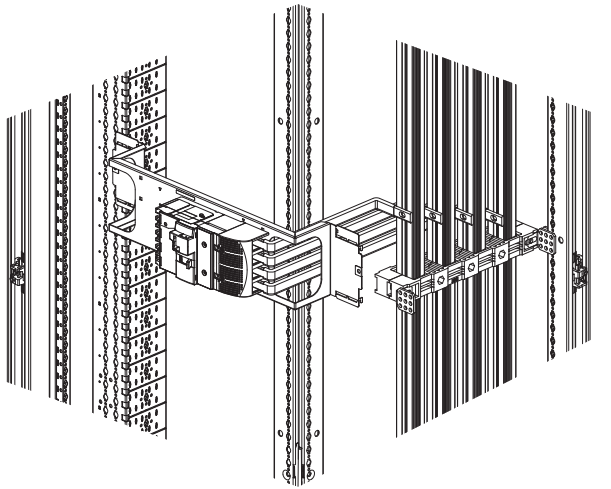
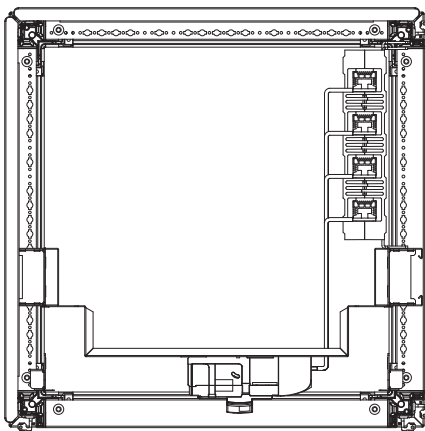
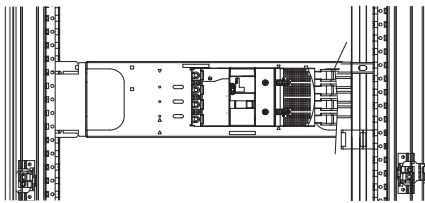
		M8 8.8	In	X
		Nm	A	mm
TKC160B8E	x 4	20	160	41
TKC250B8E	x 4	20	250	41
TKC630B8E	x 4	20	630	41
TKC1600B8E	x 4	20	800	50


TKC160L1
TKC250L1
TKC630L1
TKC160L2
TKC250L2
TKC630L2

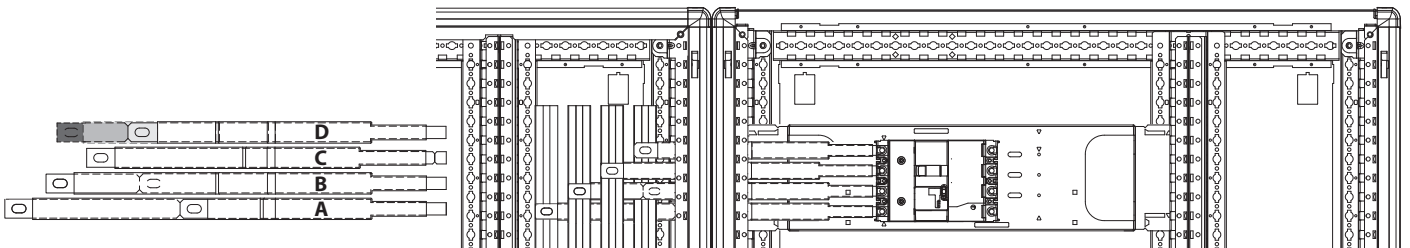
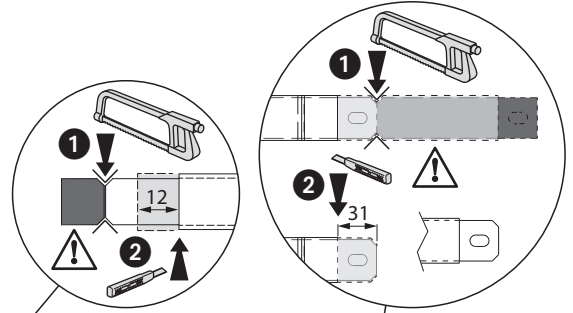
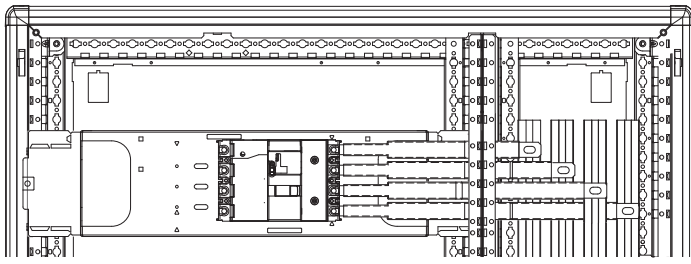



		M8	In			M8	In
		Nm	A			Nm	A
TKC160L1	x 4	20	160	TKC160L2	x 4	15/20	160
TKC250L1	x 4	20	250	TKC250L2	x 4	15/20	250
TKC630L1	x 4	20	630	TKC630L2	x 4	15/20	630

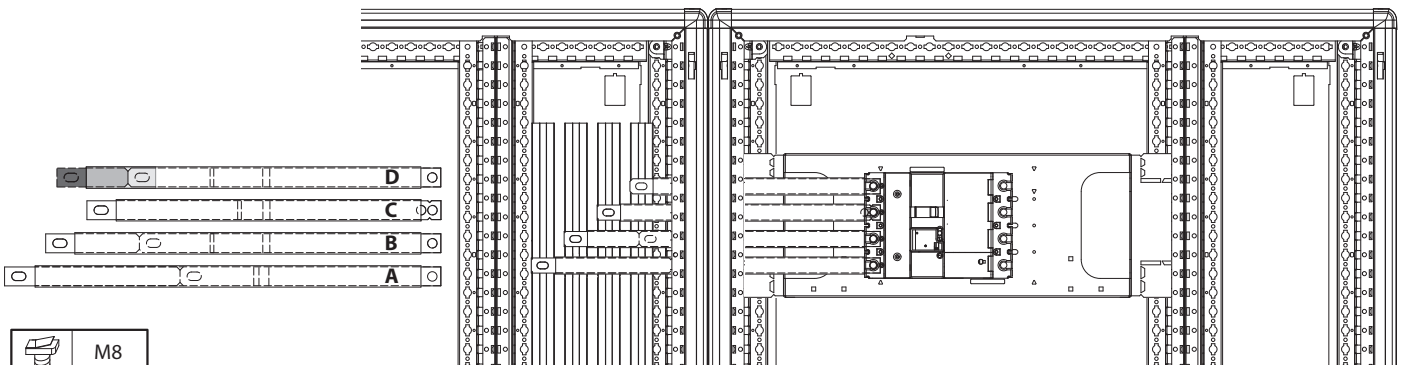
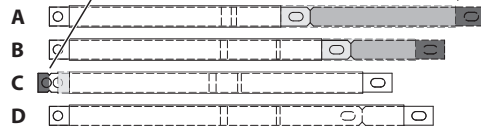
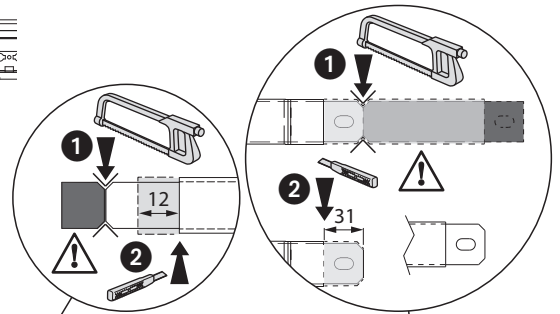
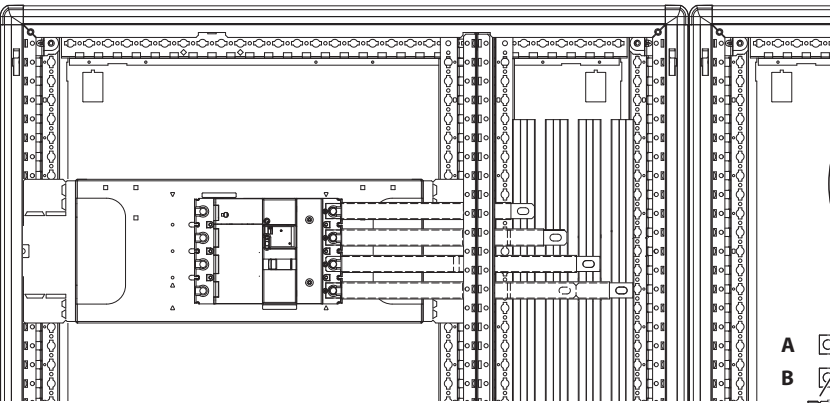
TKC160DM
TKC250DM
TKC630DM




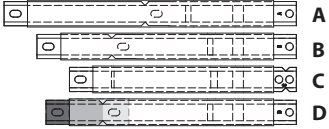
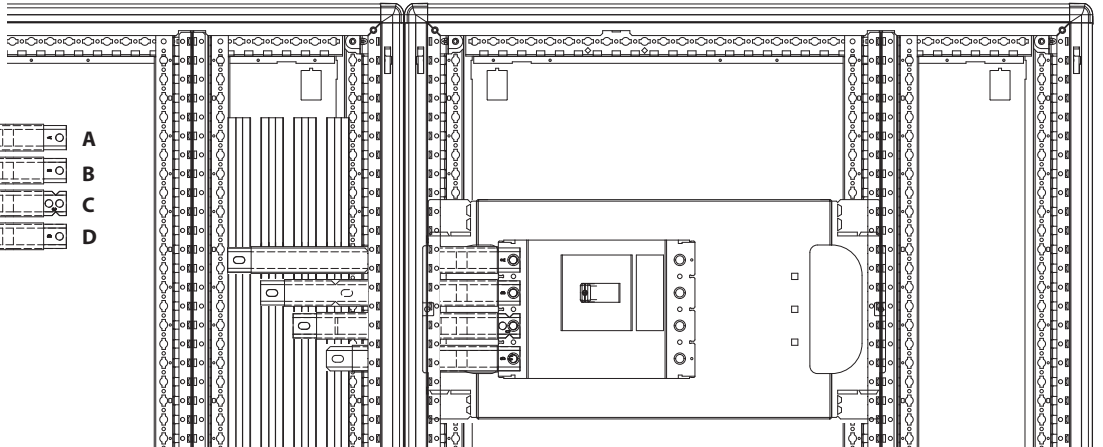
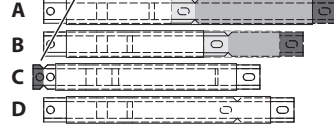
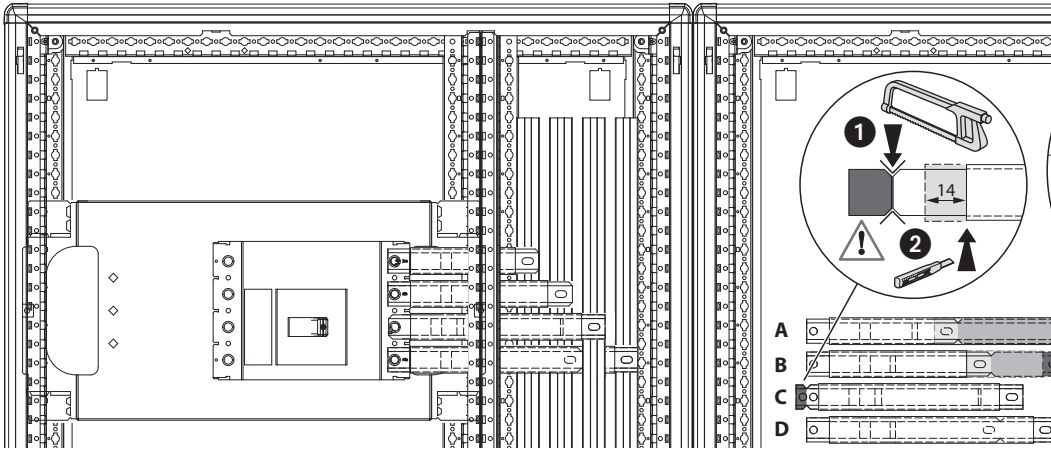
		M8	In
		Nm	A
TKC160DM	x 4	20	160
TKC250DM	x 4	20	250
TKC630DM	x 4	20	630




	M8
	8.8
	Nm
x 4	20

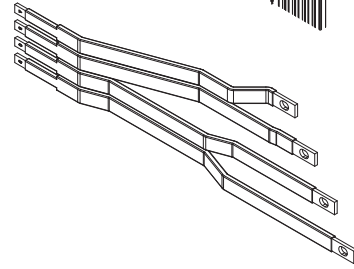
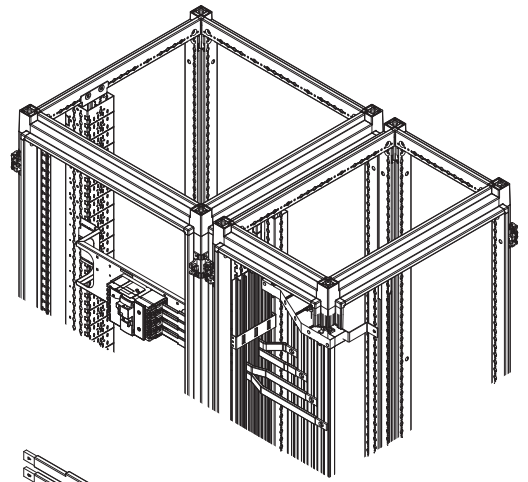
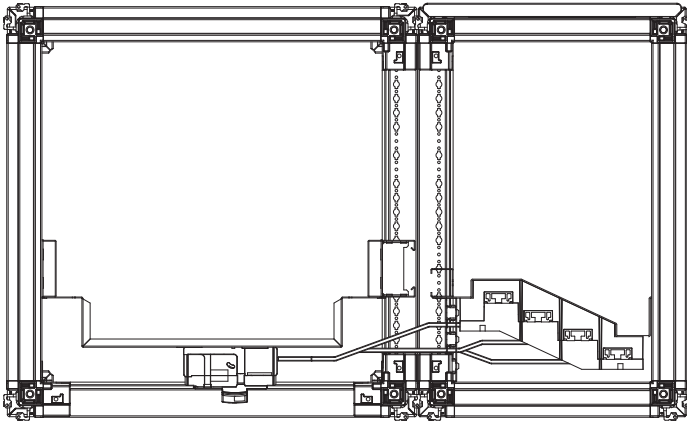
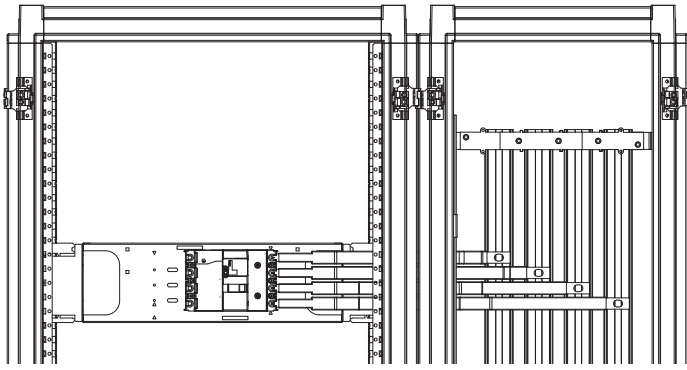



	M8
	8.8
	Nm
x 4	20



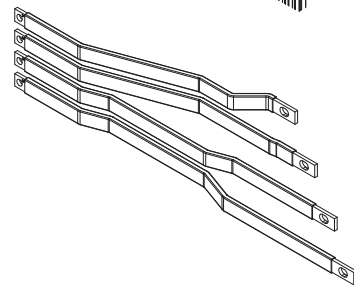
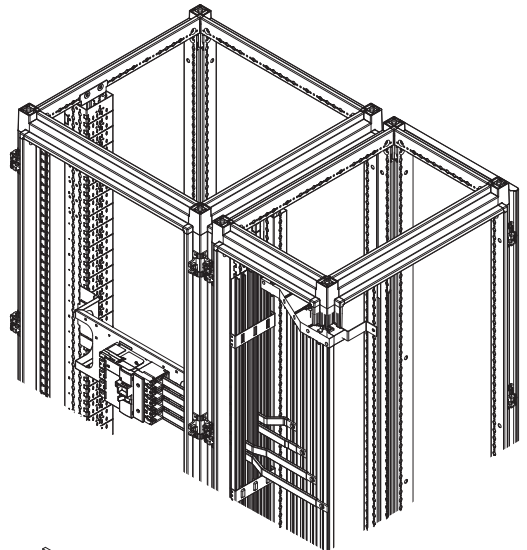
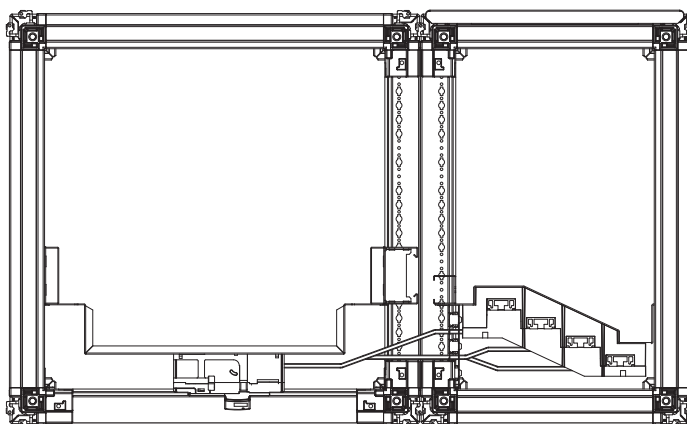
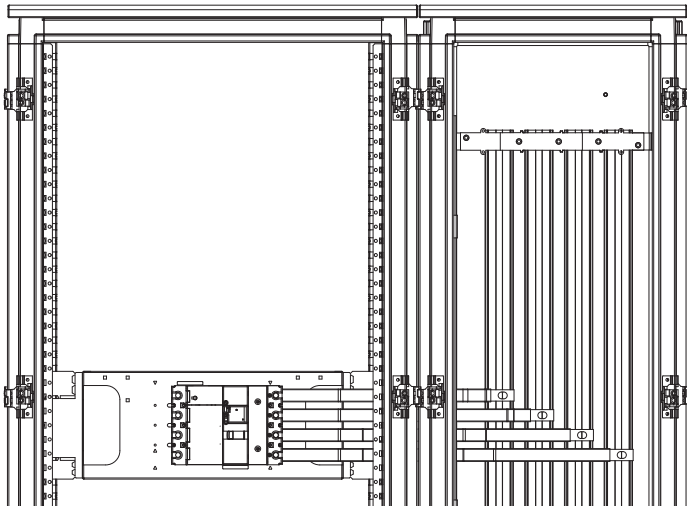
	M8
	8.8
	Nm
x 4	20


TKC160M40E



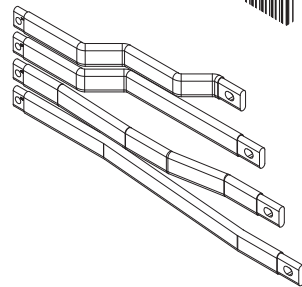
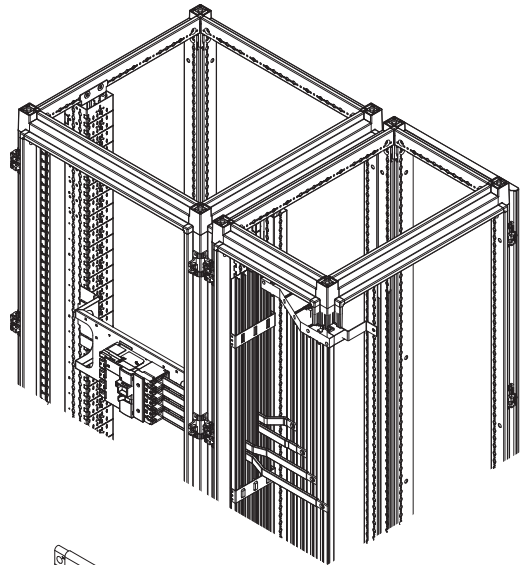
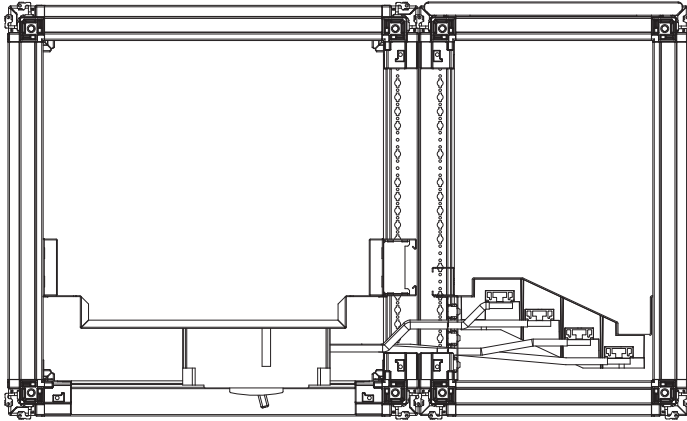
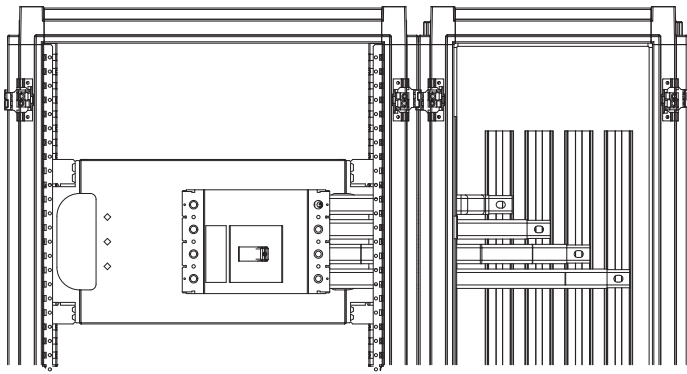
	M8
	8.8
	Nm
x 4	20


TKC250M40E



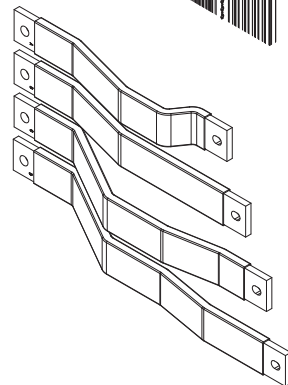
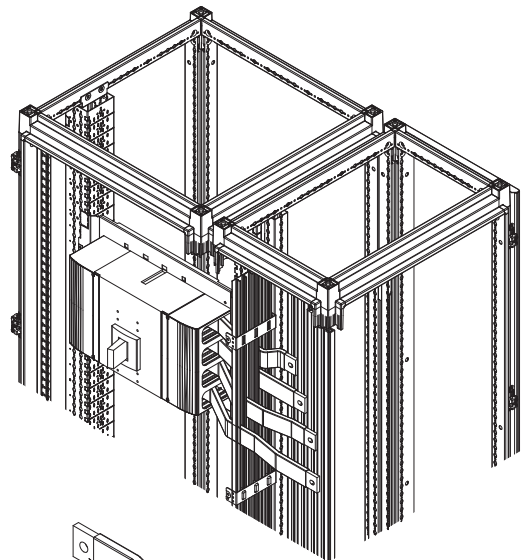
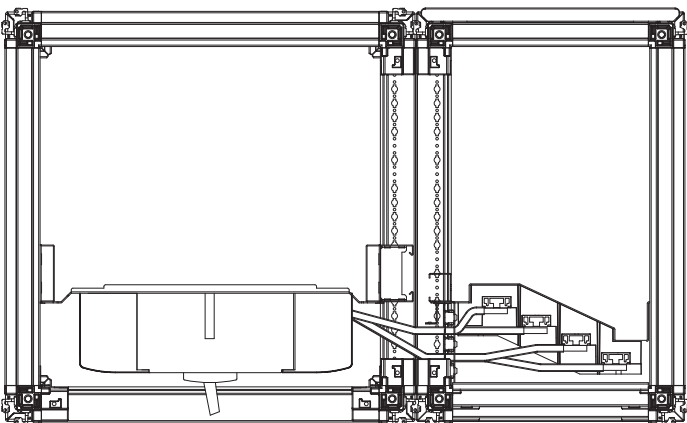
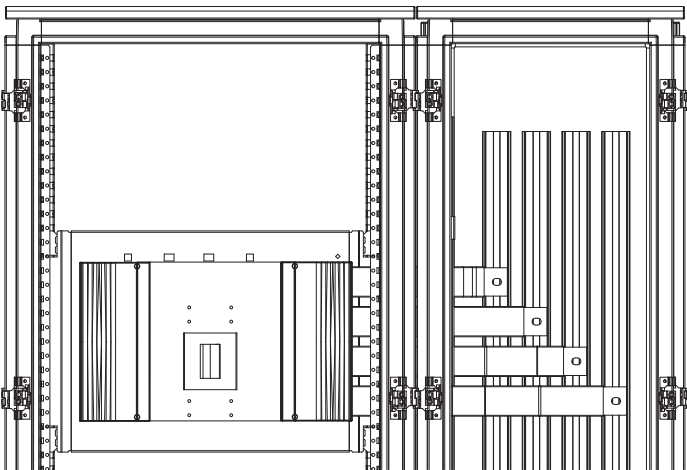
	M8
	8.8
	Nm
x 4	20


TKC630M40E

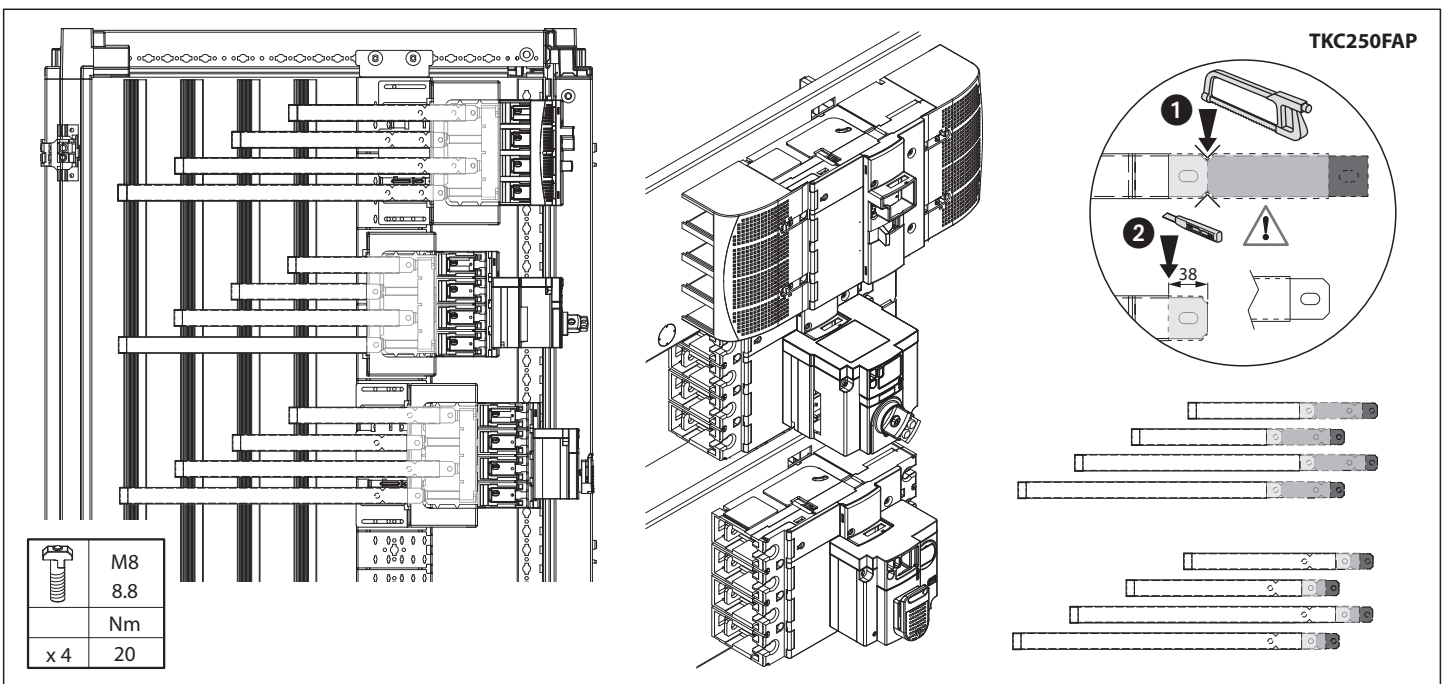
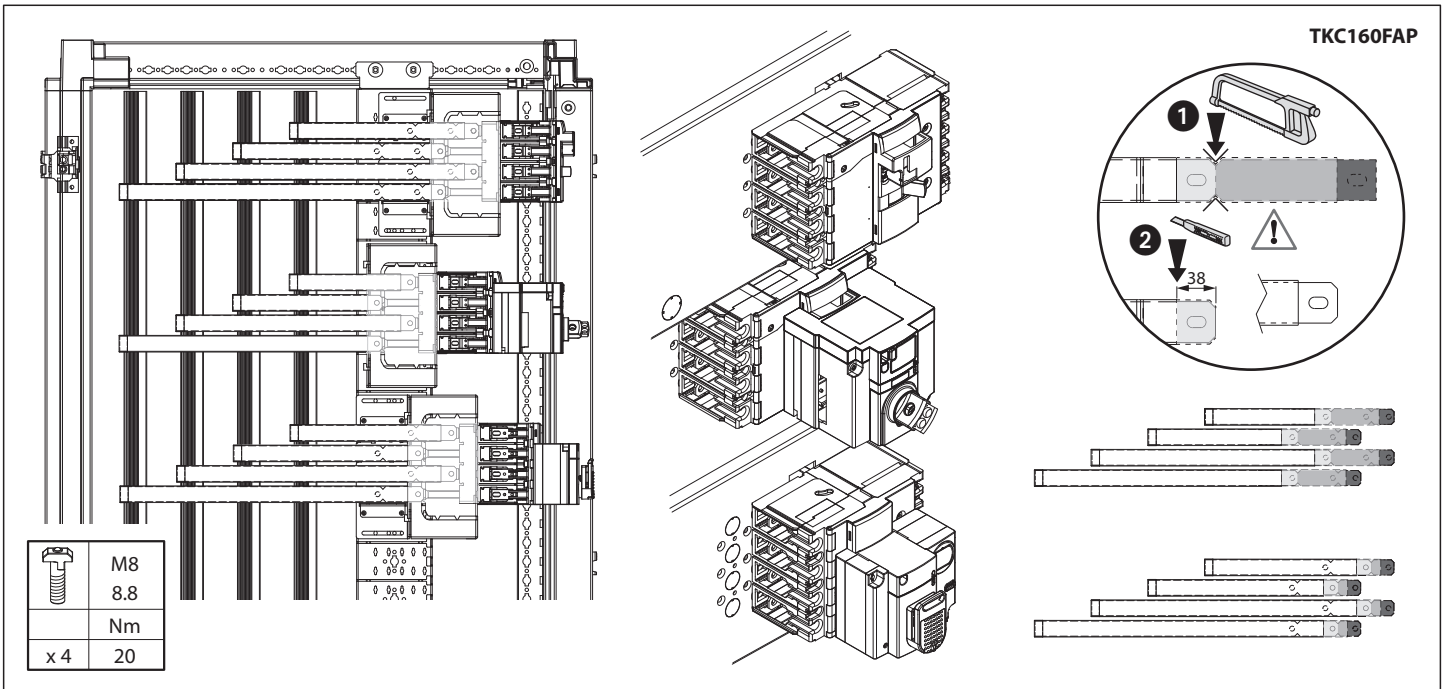
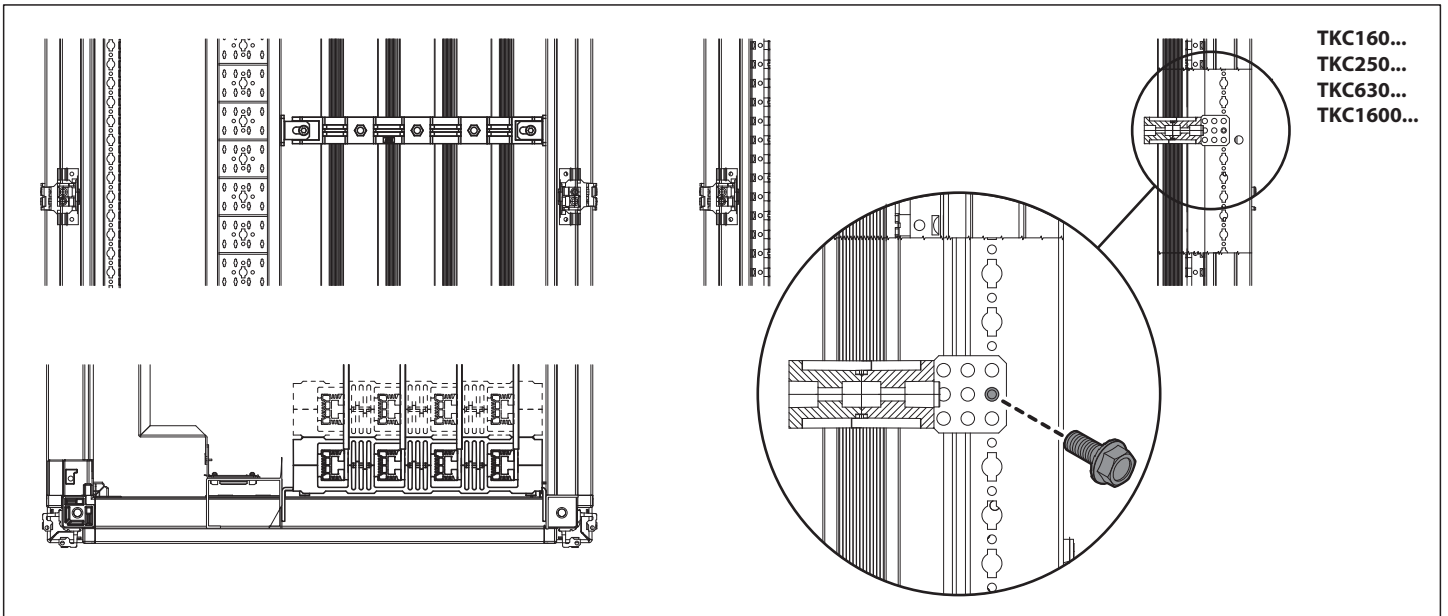


	M8
	8.8
	Nm
x 4	20

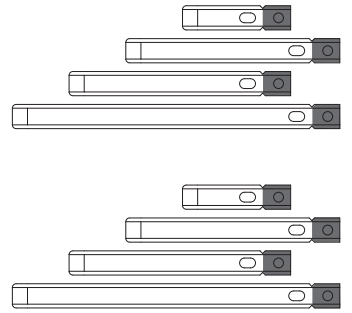
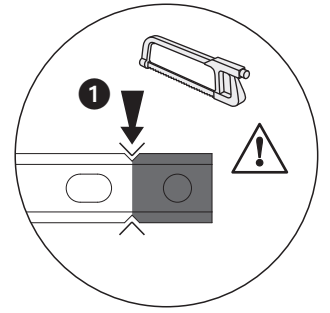
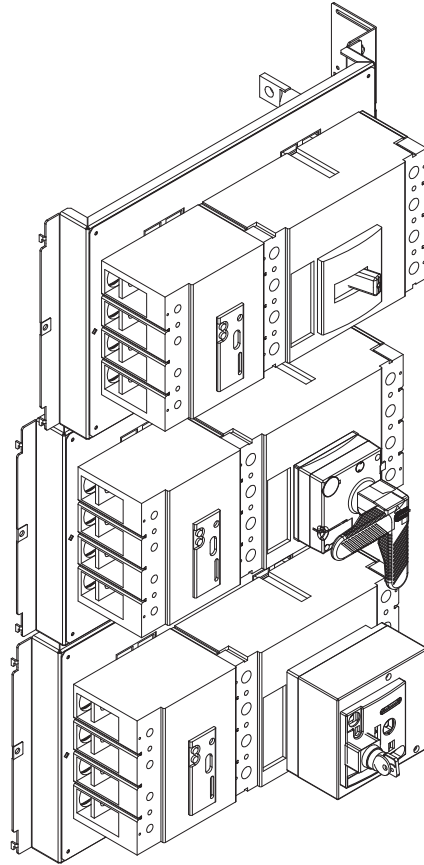
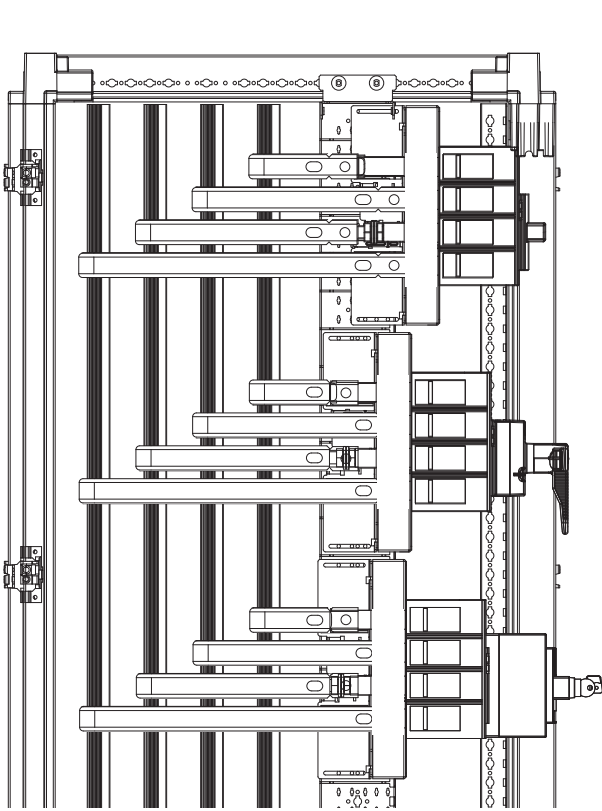
TKC1600M40E




	M8
	8.8
	Nm
x 4	20

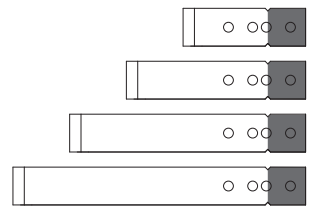
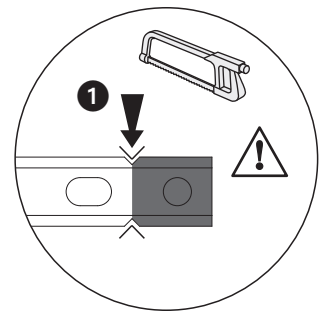
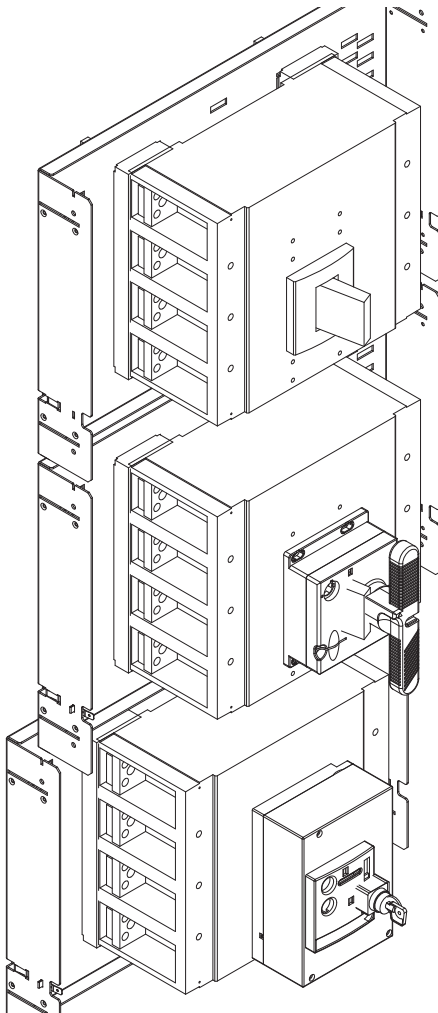
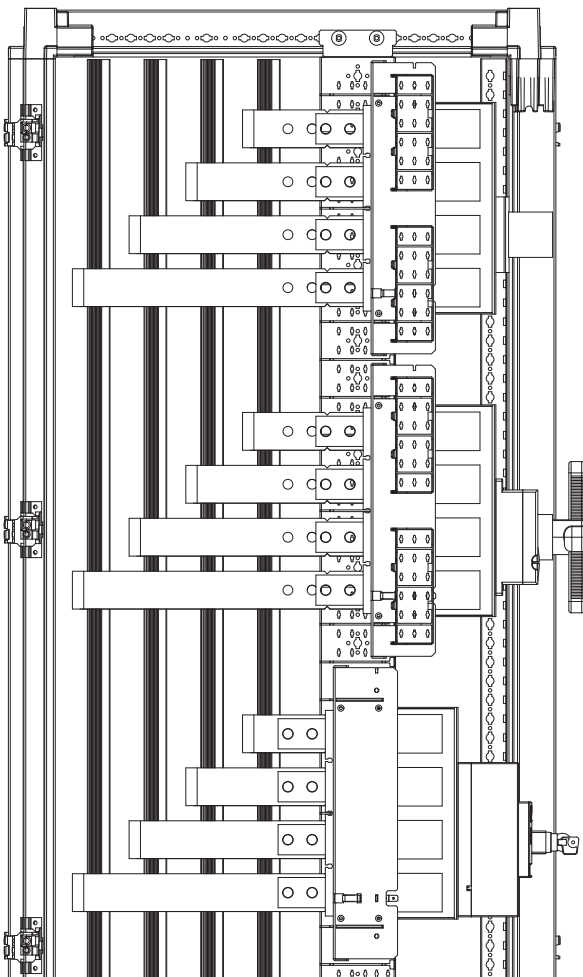



TKC630FAP



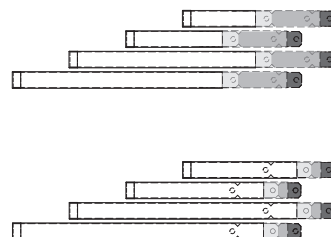
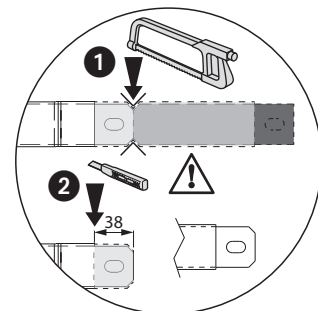
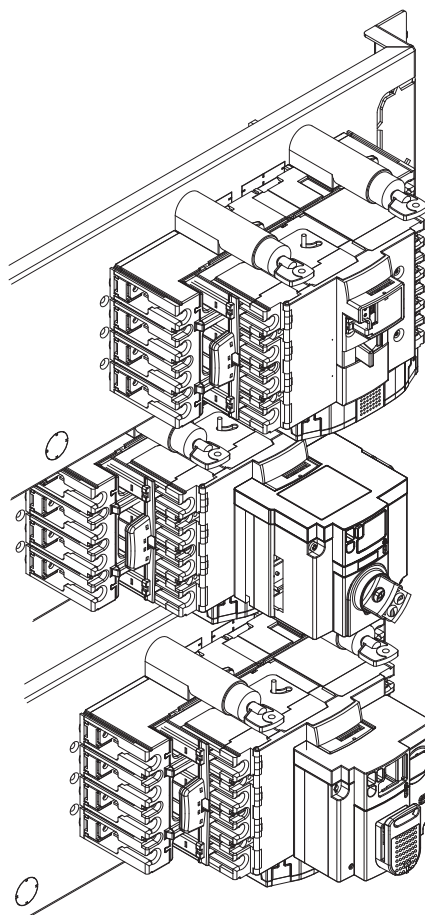
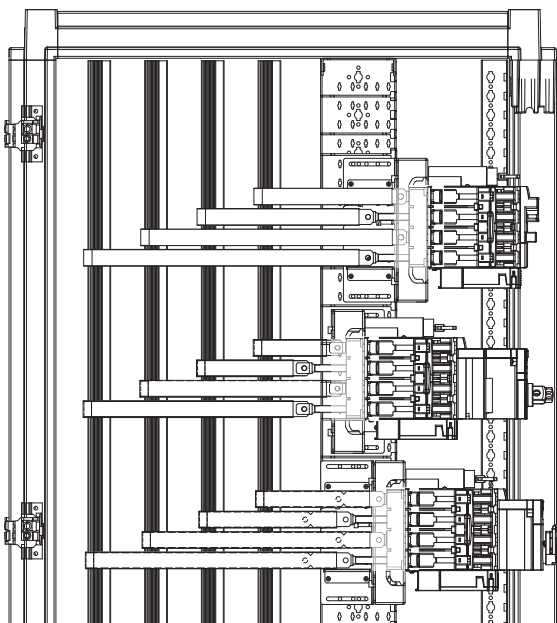
	M8
	8.8
	Nm
x 4	20


TKC1600FAP



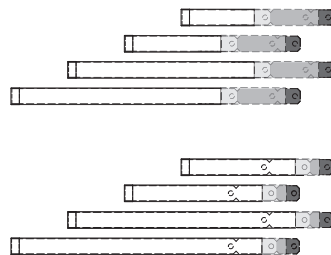
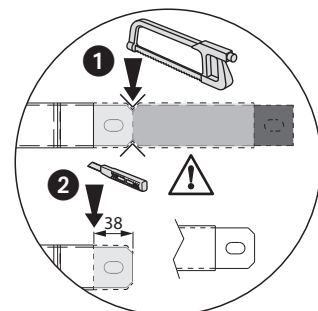
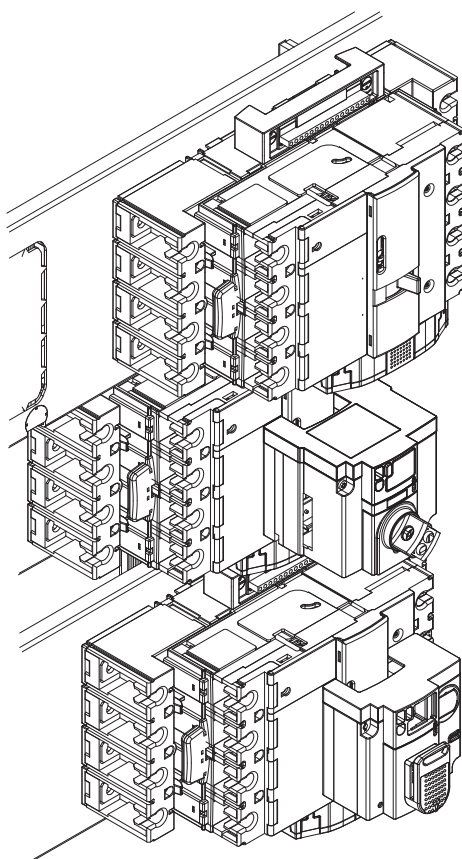
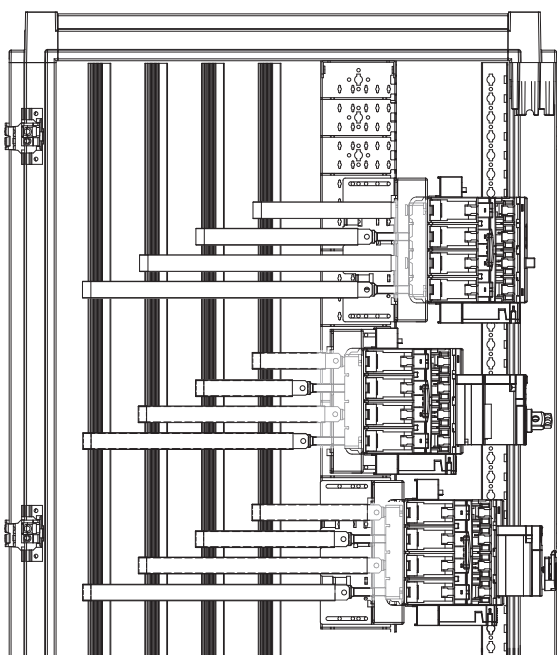
	M8
	8.8
	Nm
x 4	50


TKC160RAP



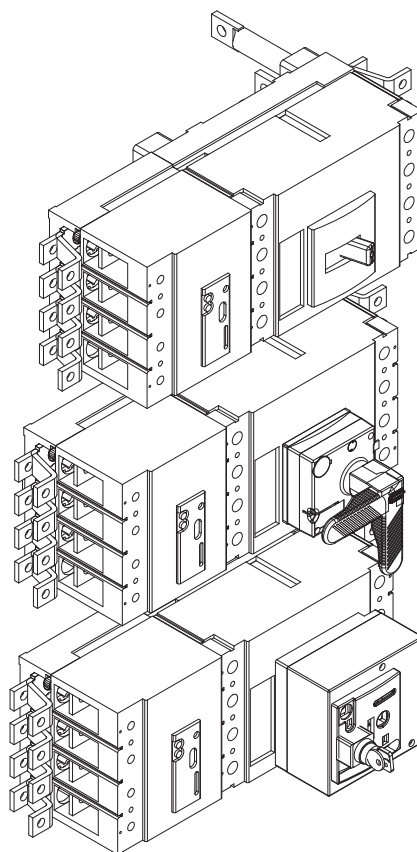
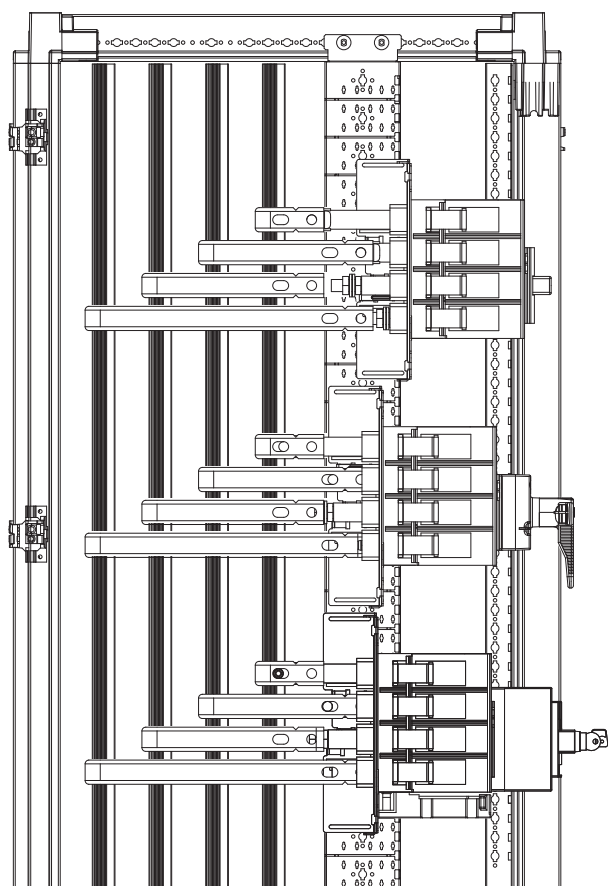
	M8
	8.8
	Nm
x 4	20


TKC250RAP



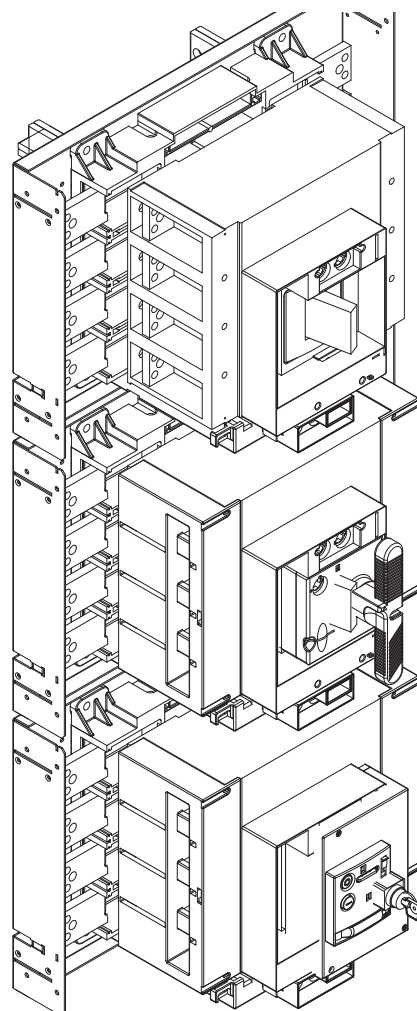
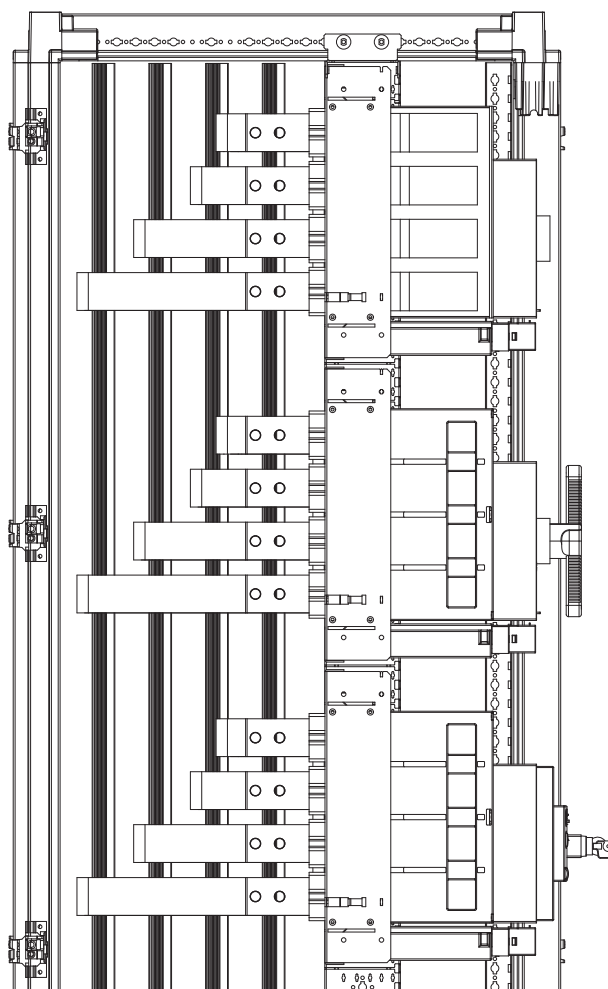
	M8
	8.8
	Nm
x 4	20


TKC630RAP



	M8
	8.8
	Nm
x 4	20

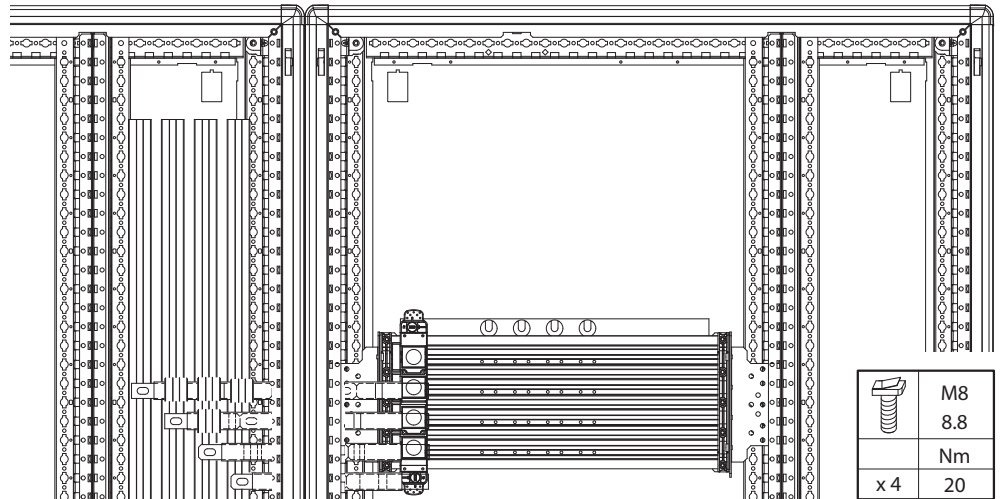
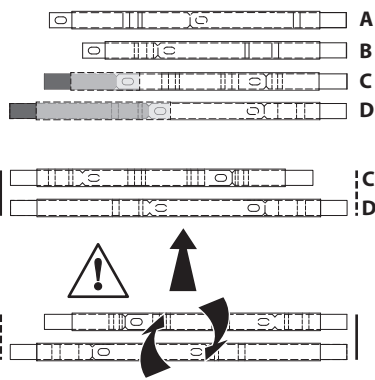
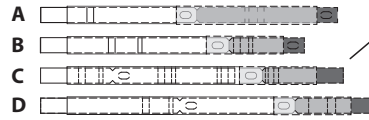
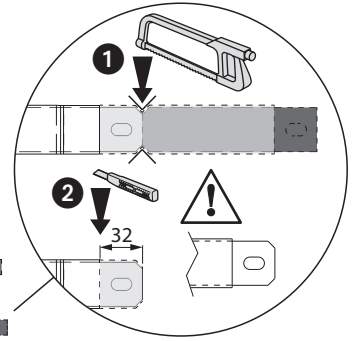
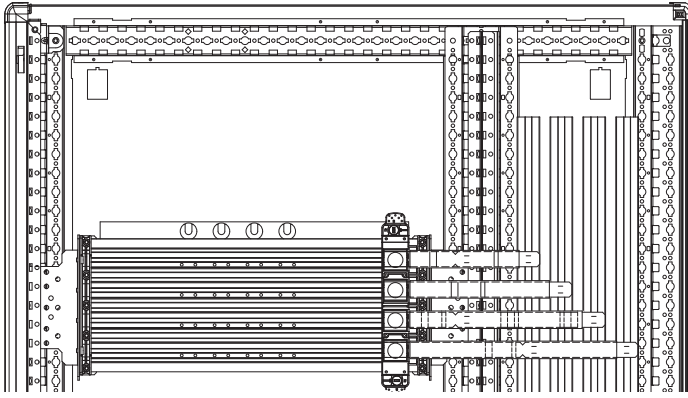
TKC1600RAP




	M8
	8.8
	Nm
x 4	50

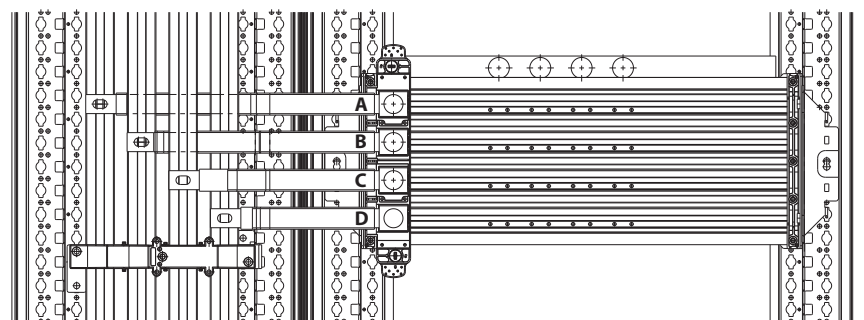
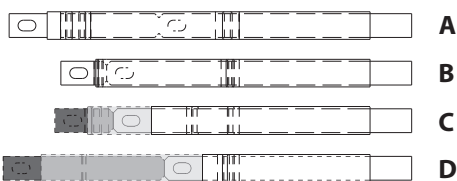
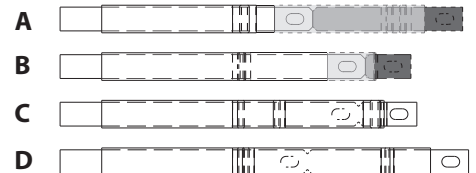
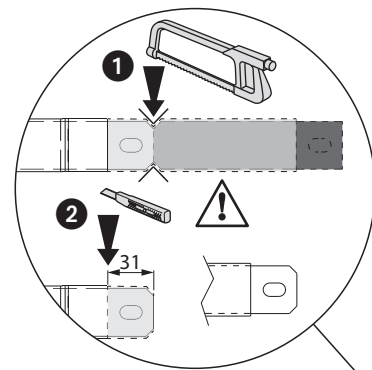
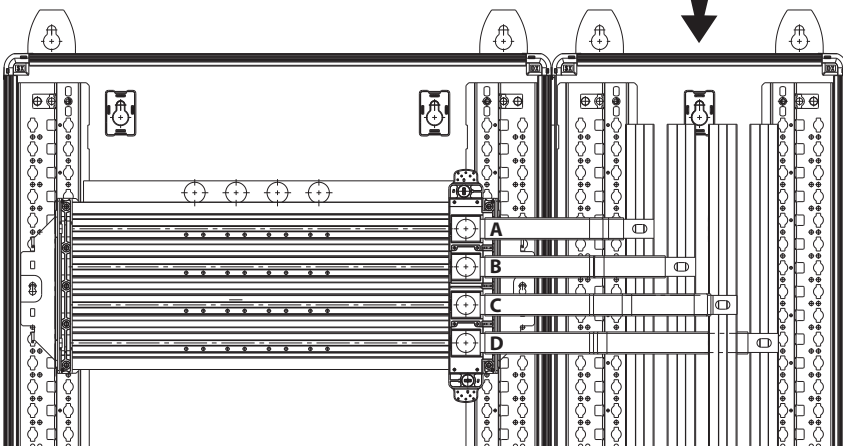
TIFAST250


TKAL250



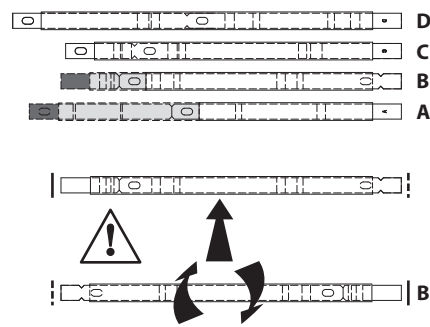
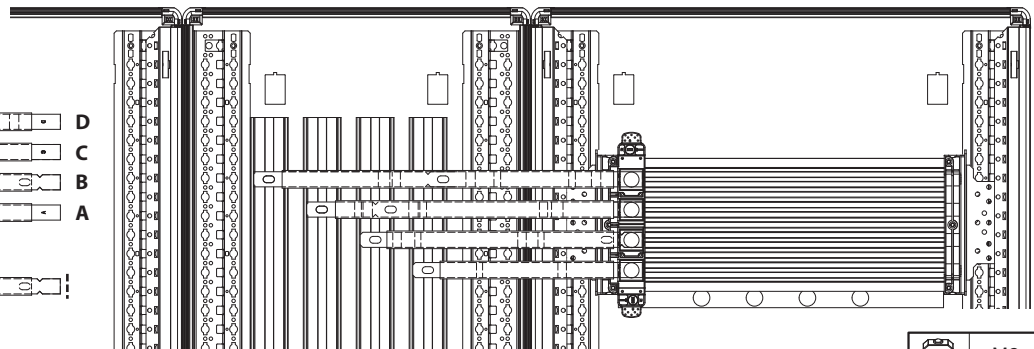
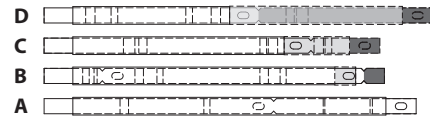
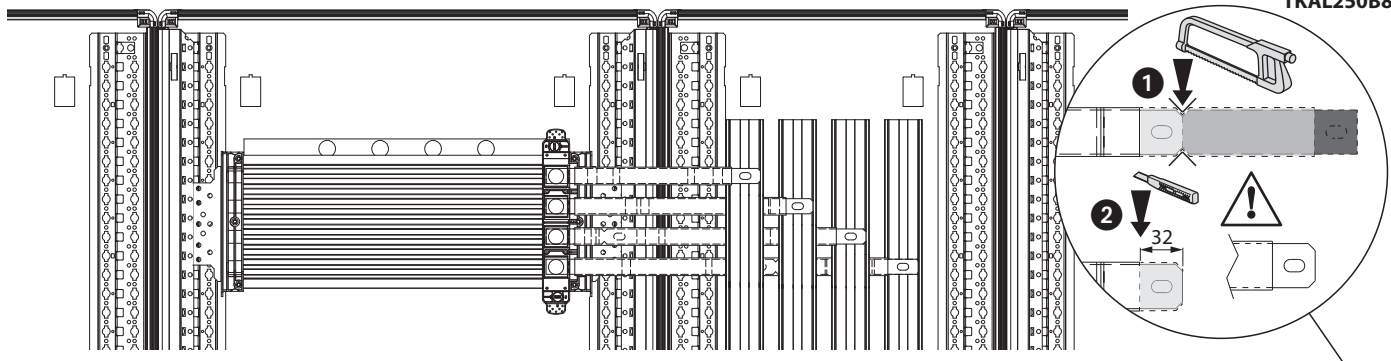
	M8
	8.8
	Nm
x 4	20


TKAL250E



	M8
	8.8
	Nm
TKAL250E x 4	20

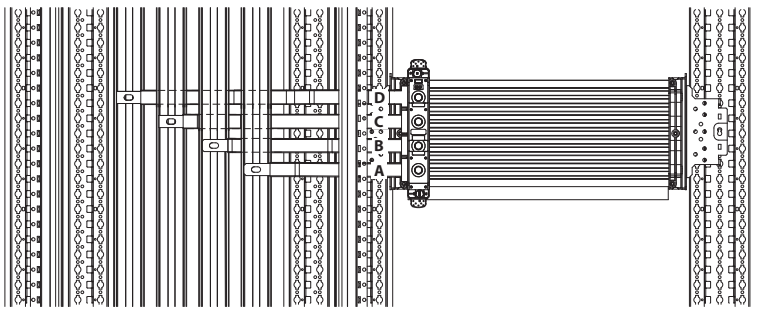
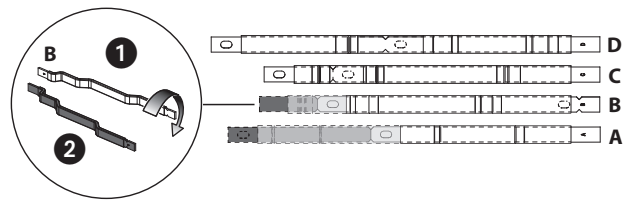
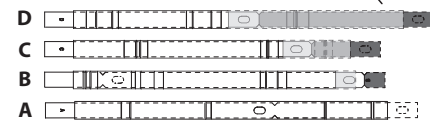
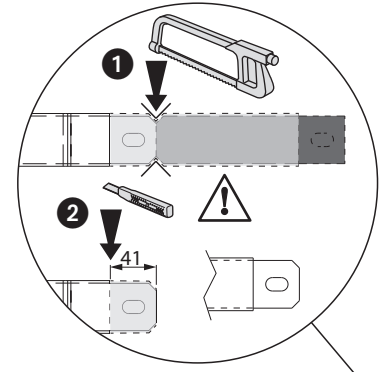
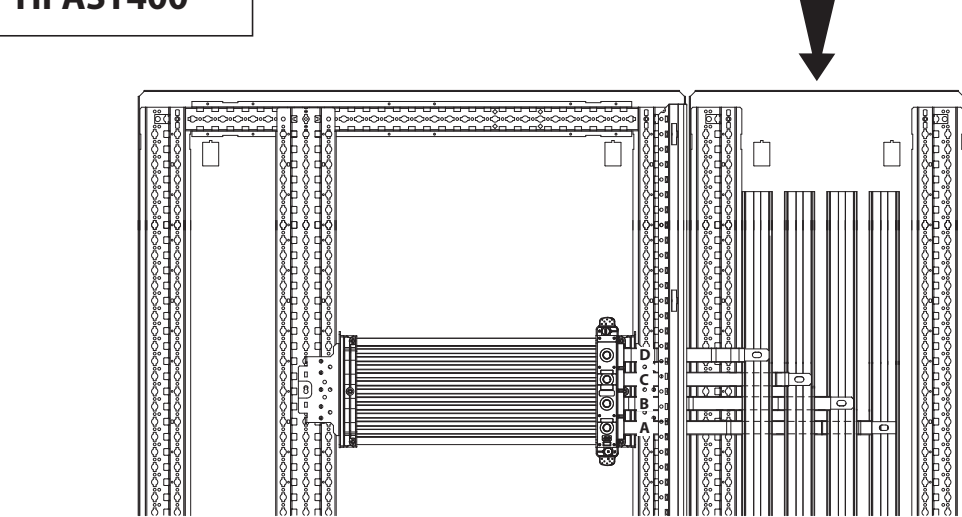
TKAL250B8E




	M8
	8.8
	Nm
x 4	20

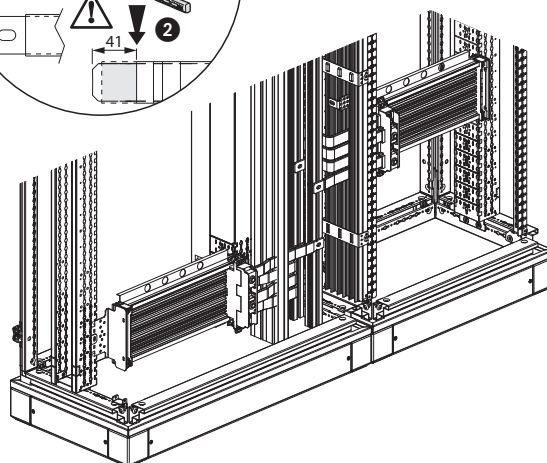
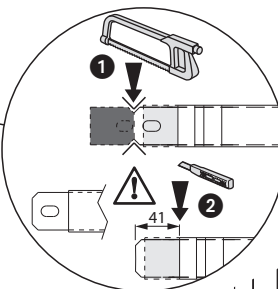
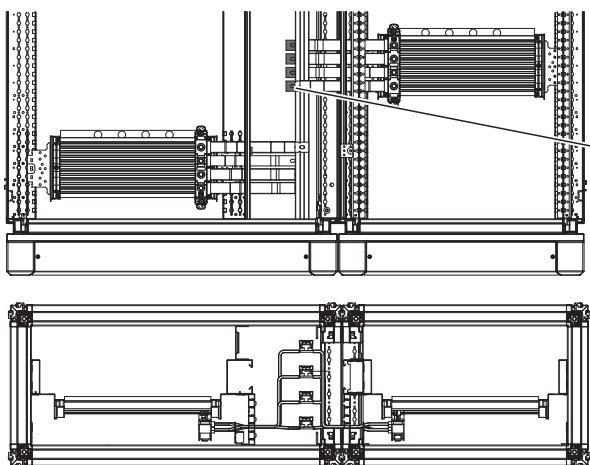
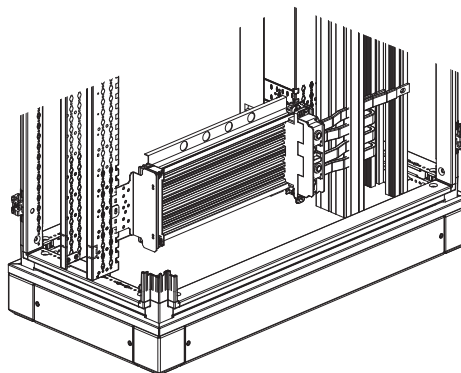
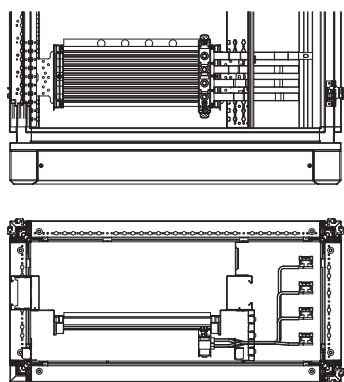
TIFAST400


TKAL400B8E



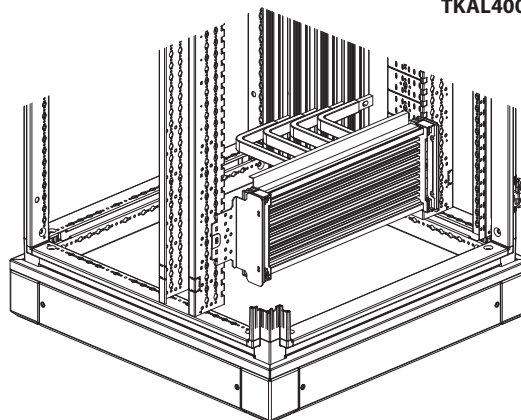
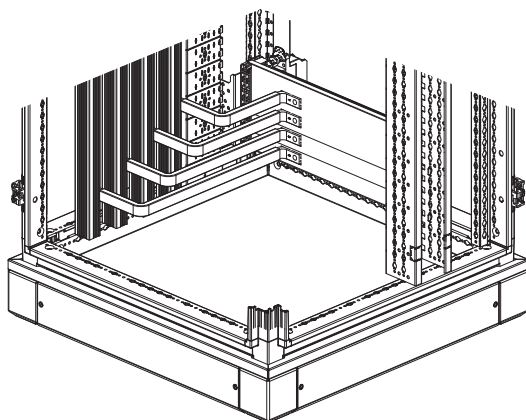
		M8
		8.8
		Nm
TKAL400B8E	x 4	20


TKAL400I350
TKAL400I600



		M8 8.8
		Nm
TKAL400I350	x 4	20
TKAL400I600	x 4	20

TKAL400DM



		M8 8.8
		Nm
TKAL400DM	x 4	20

