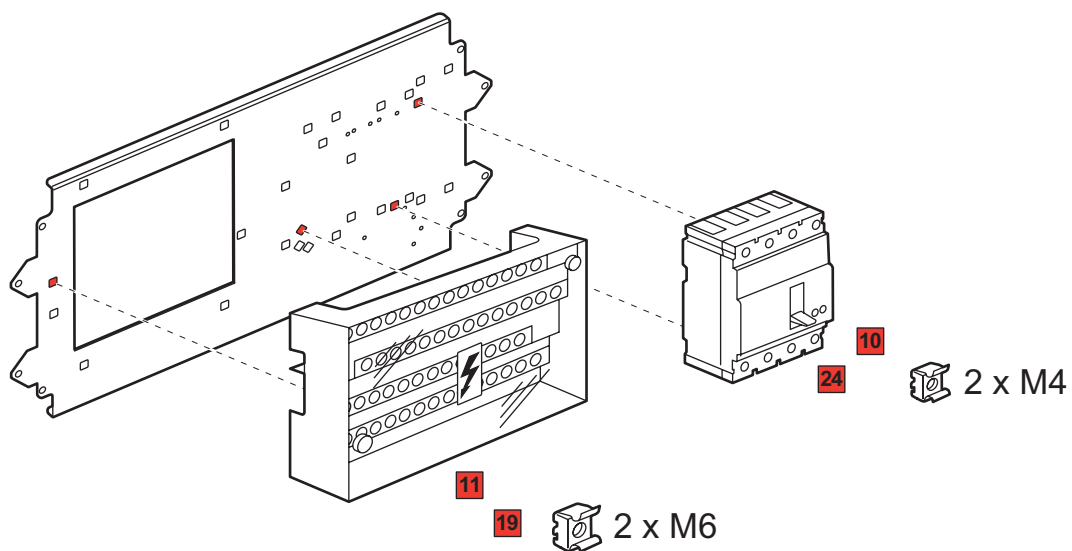
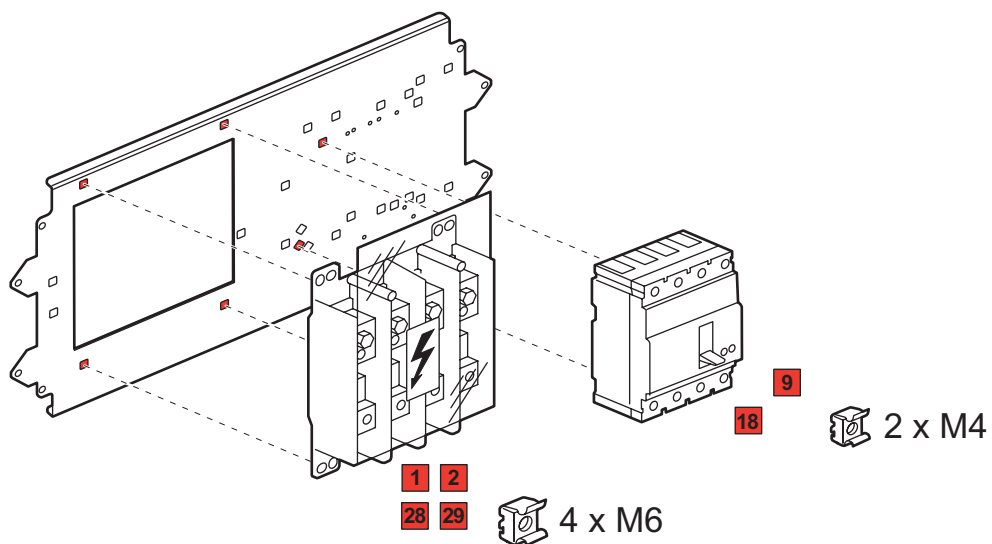


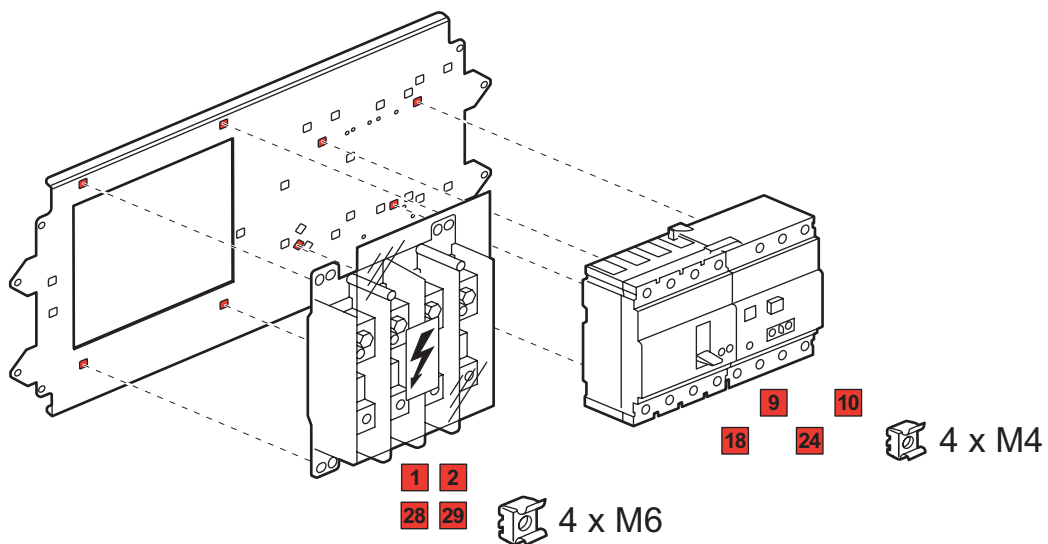
DPX 125 + 0 374 47



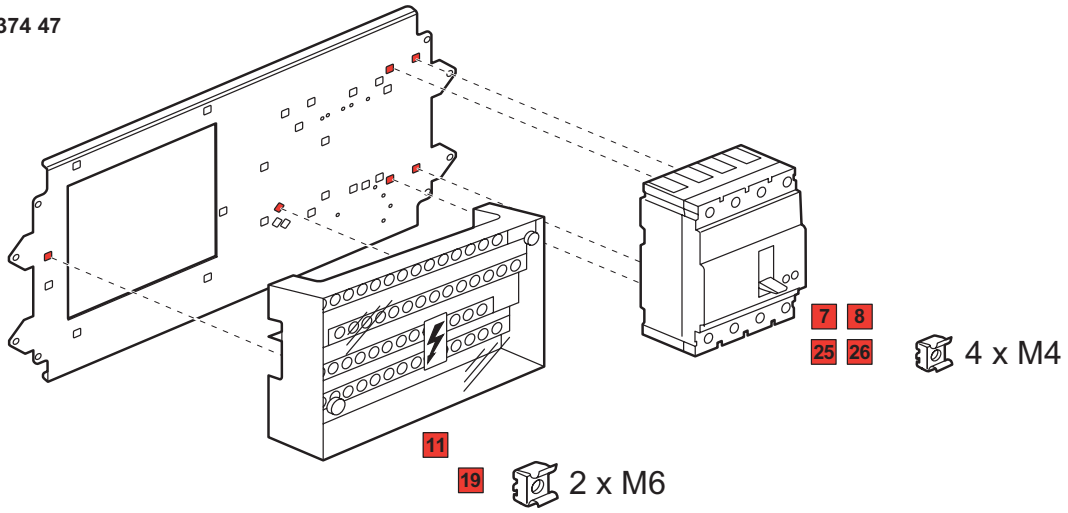
DPX 125 + 0 374 00



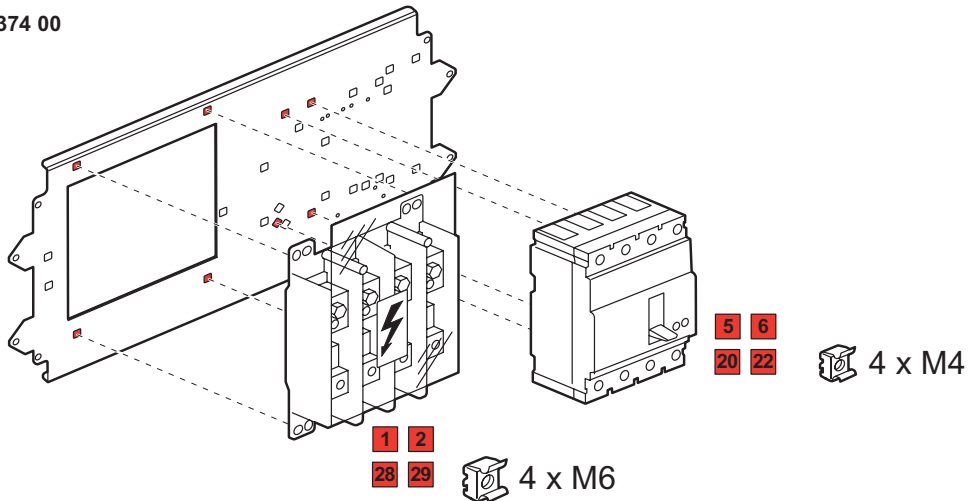
DPX 125 + DIF. + 0 374 00



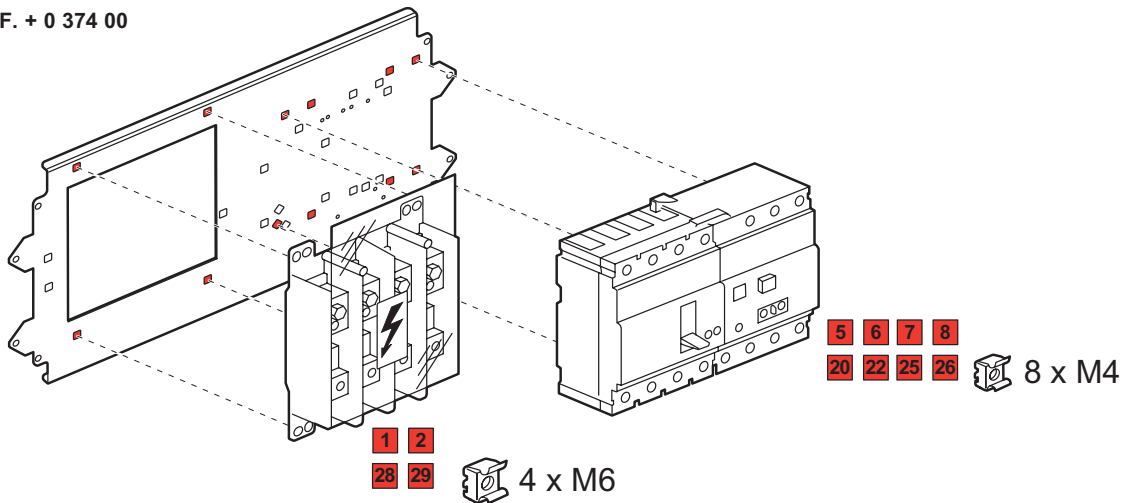
DPX 160 + 0 374 47



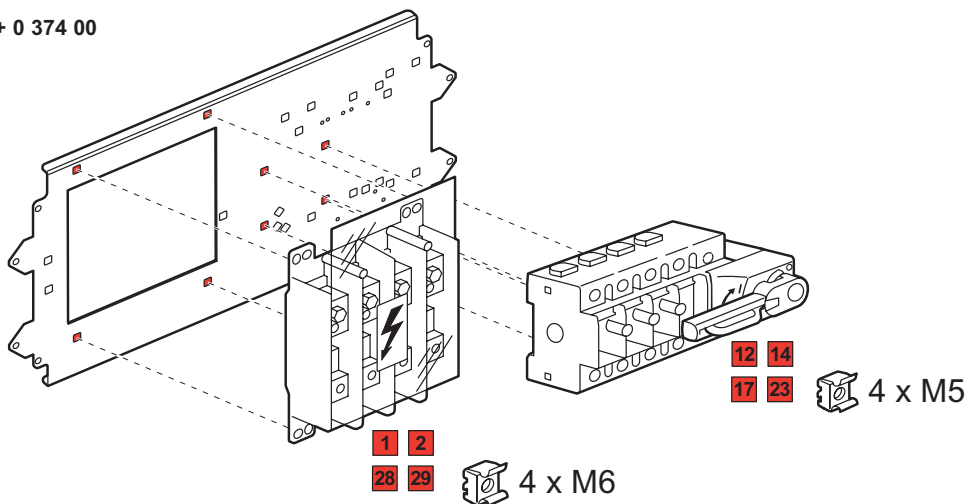
DPX 160 + 0 374 00



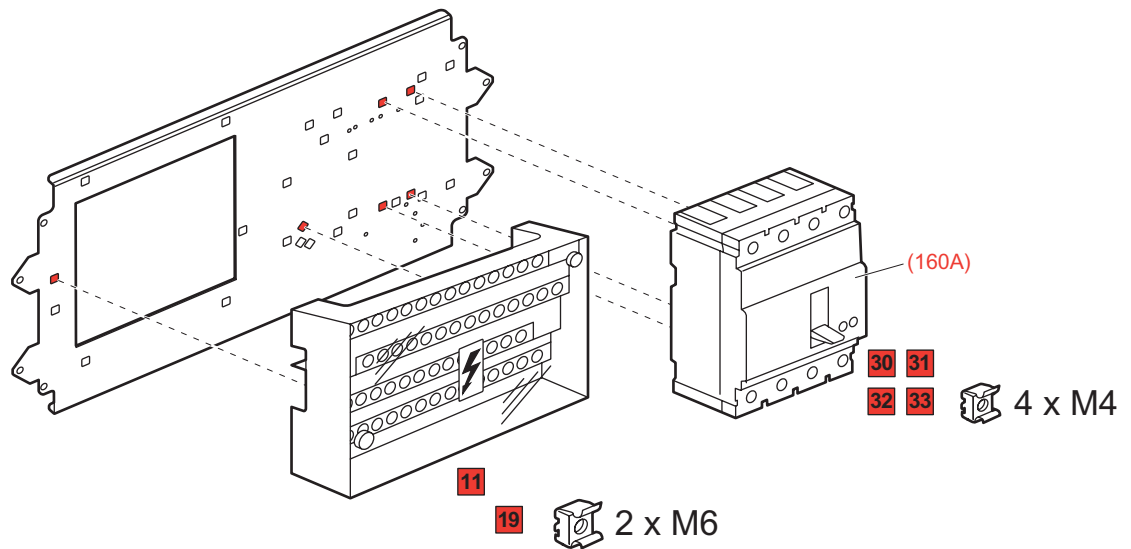
DPX 160 + DIF. + 0 374 00



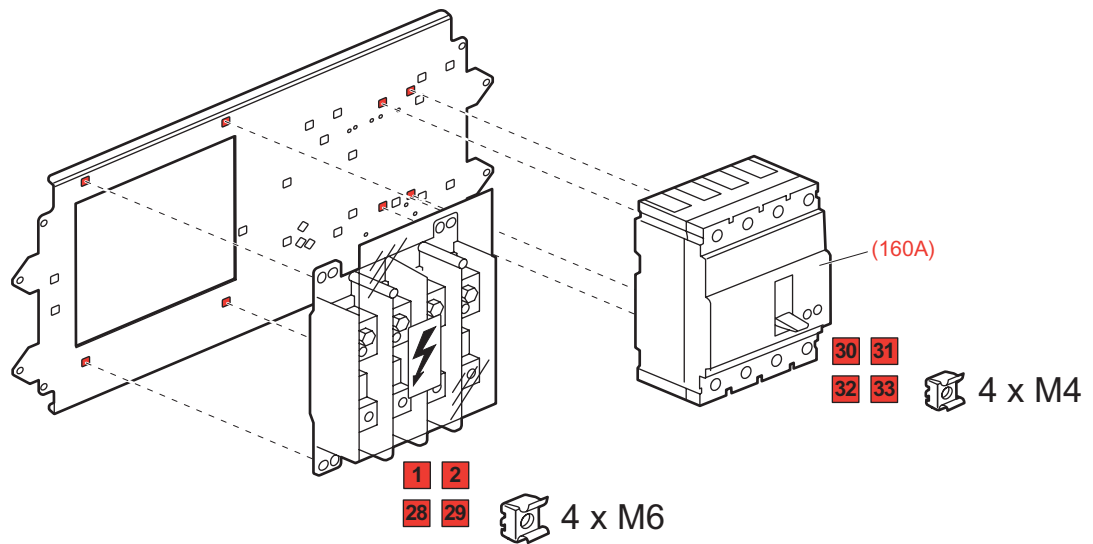
VISTOP 160 + 0 374 00



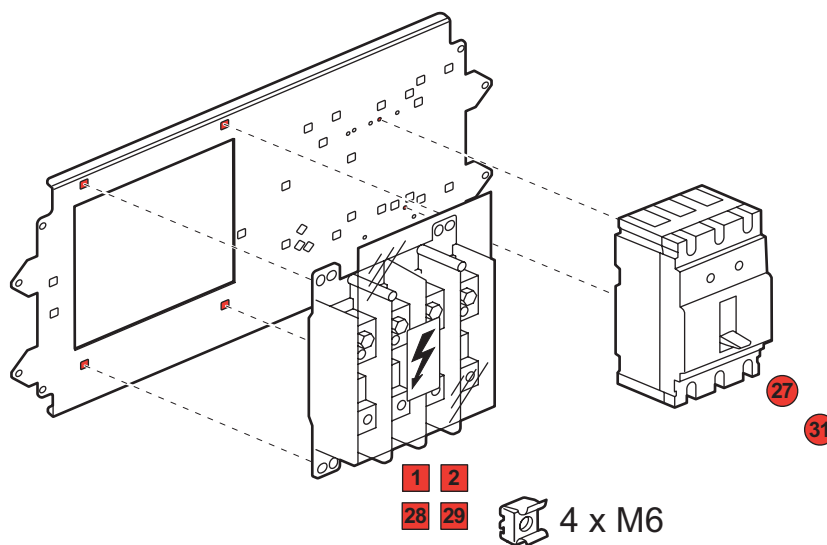
DPX 250 ER ($\leq 160A$) + 0 374 47



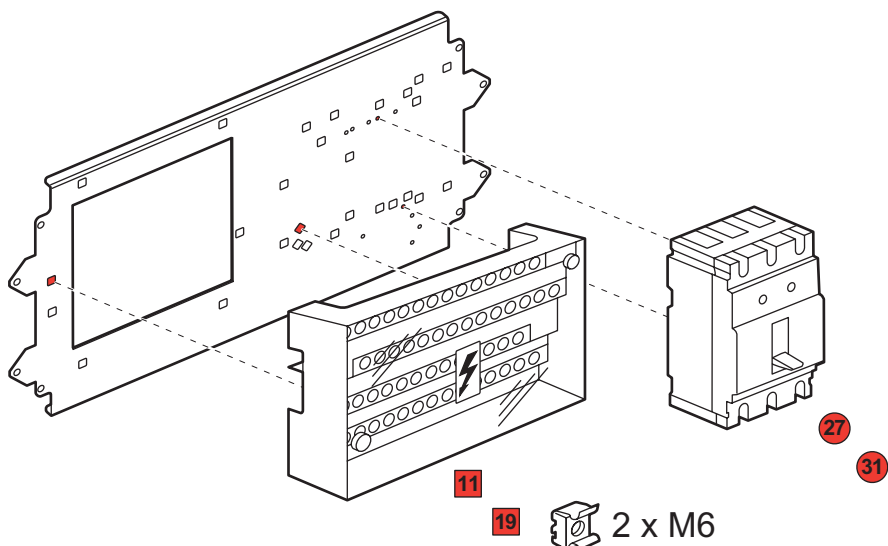
DPX 250 ER ($\leq 160A$) + 0 374 00



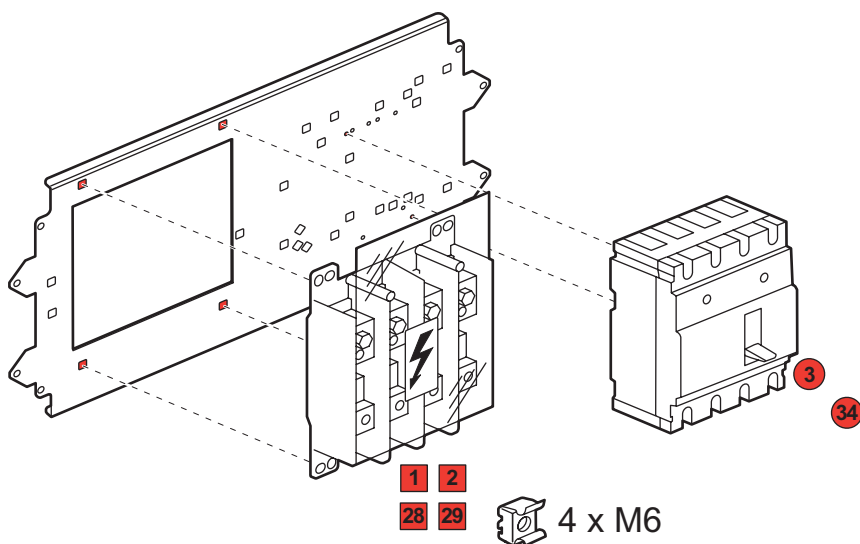
DPX³ 160 + 0 374 00



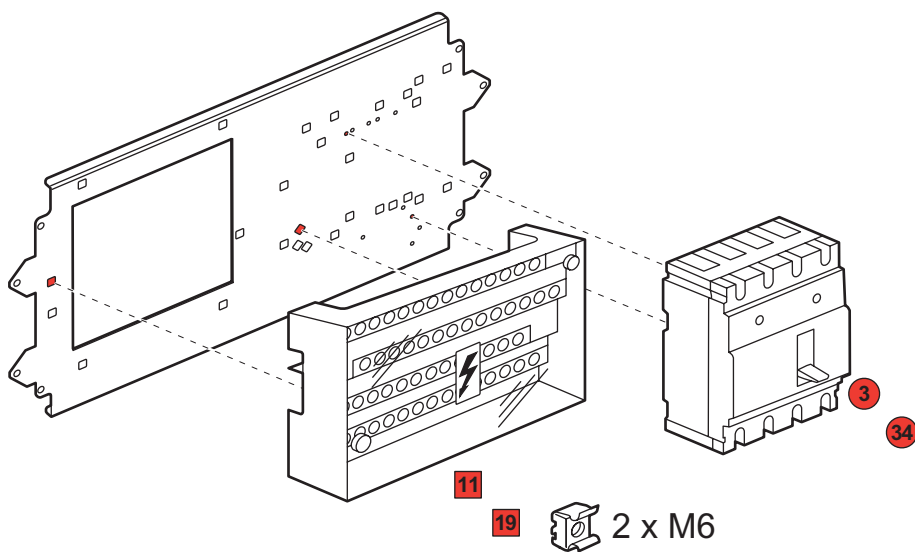
DPX³ 160 + 0 374 47



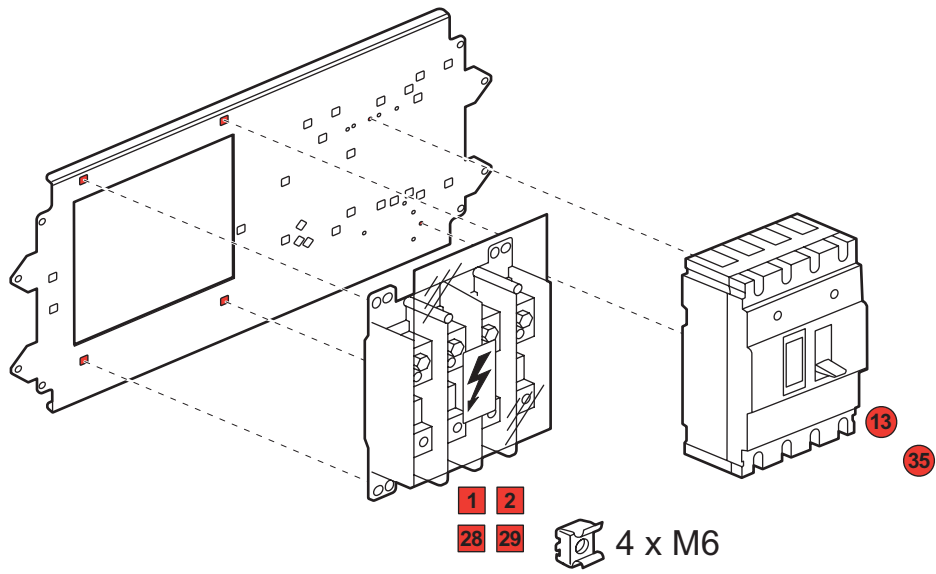
DPX³ 160 4P + 0 374 00



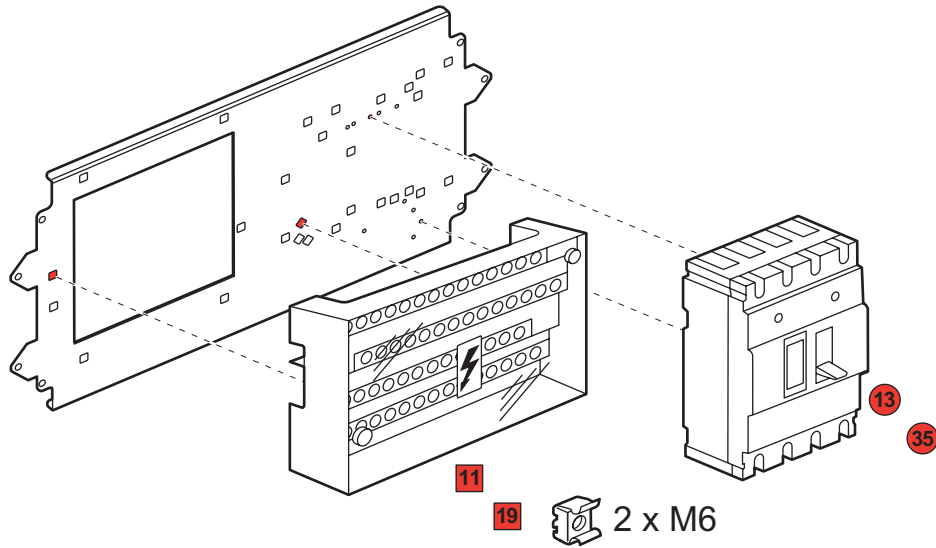
DPX³ 160 4P + 0 374 47



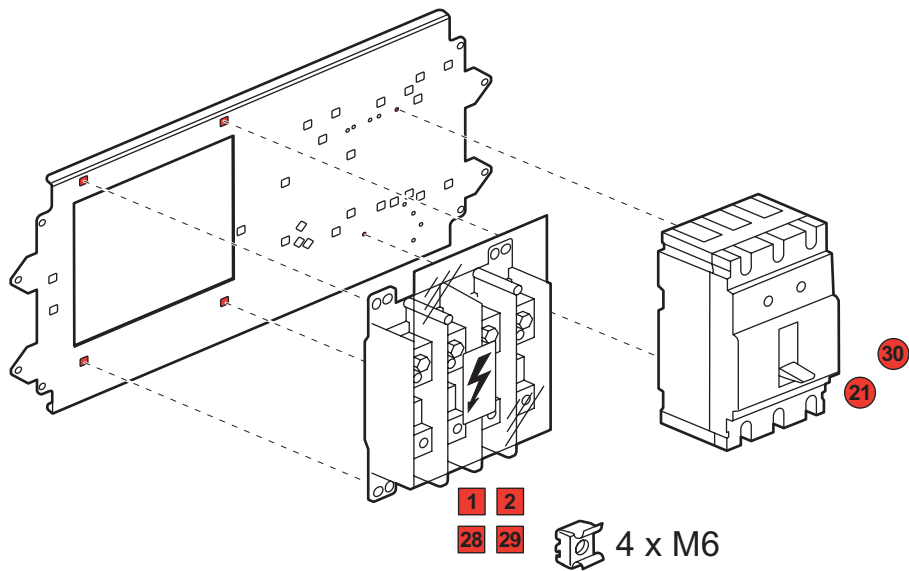
DPX³ 160 DIF. 4P + 0 374 00



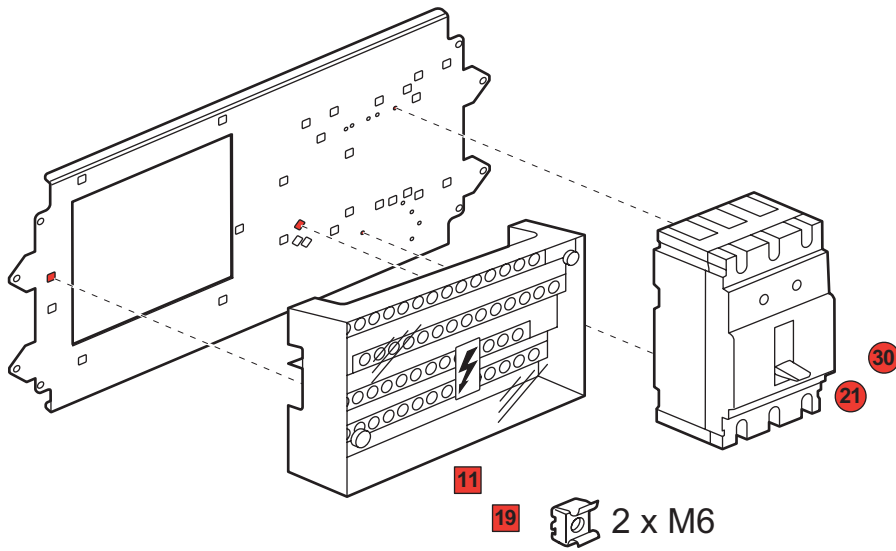
DPX³ 160 DIF. 4P + 0 374 47



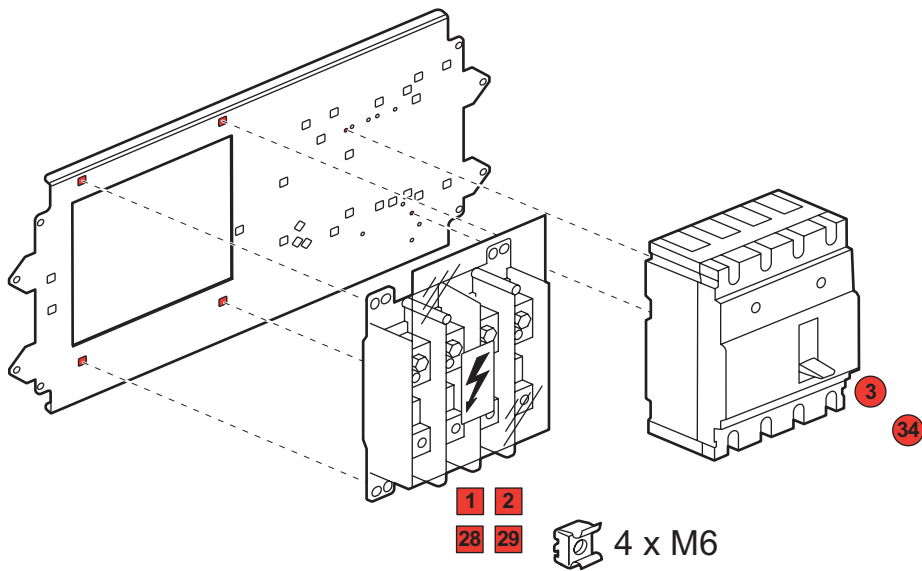
DPX³ 250 + 0 374 00



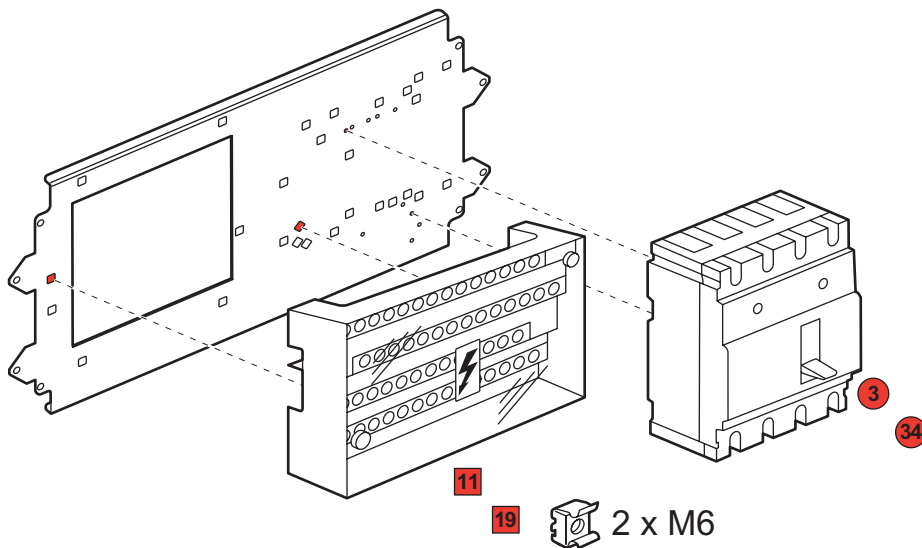
DPX³ 250 + 0 374 47



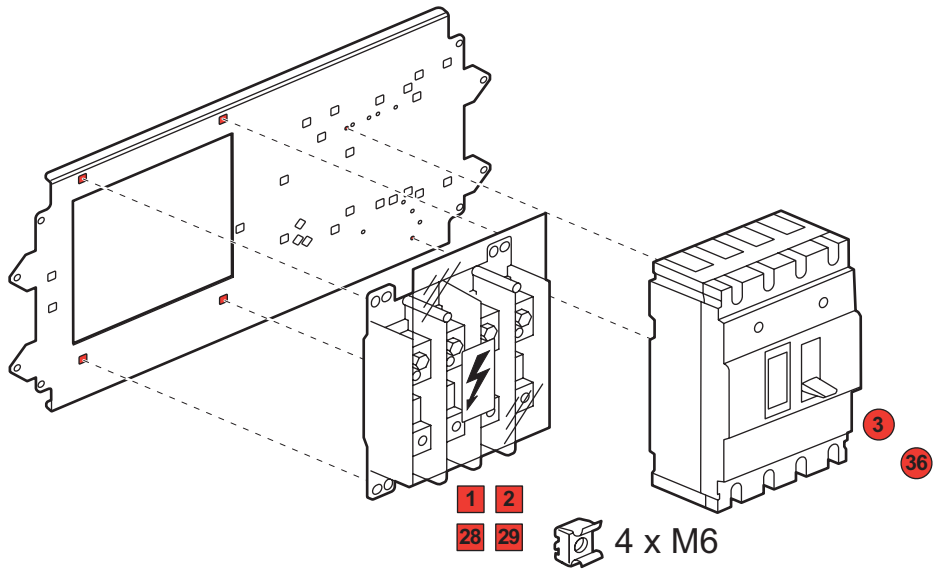
DPX³ 250 4P + 0 374 00



DPX³ 250 4P + 0 374 47



DPX³ 250 DIF. 4P + 0 374 00



DPX³ 250 DIF. 4P + 0 374 47

