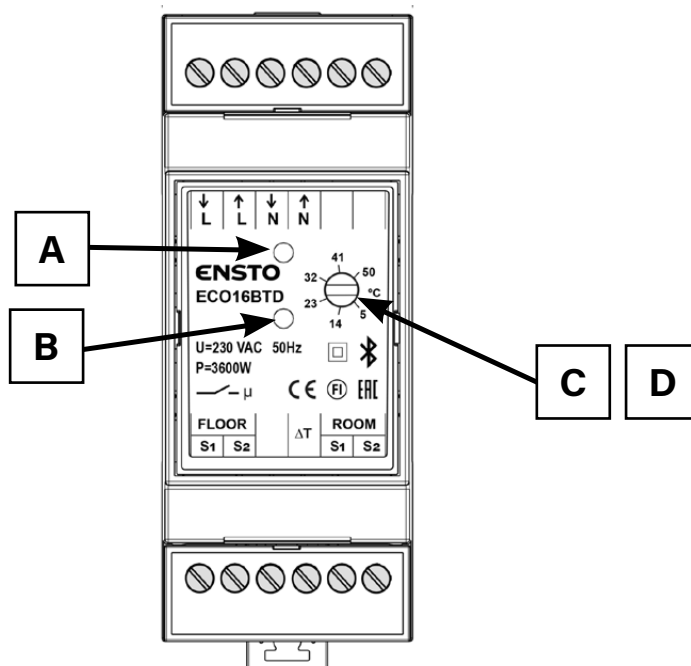


Quick Guide

Floor heating thermostat

ENSTO

ECO16BTD



A LED indicator A



Blue flashing: Bluetooth pairing is in progress



Blue static: temperature change is activated



Blue flashing fast: resetting to factory defaults

B LED indicator B



Green: the thermostat is on and the heating is off



Red: the heating is on

C Adjustment wheel

Turn clockwise: the temperature rises

Turn counter-clockwise: the temperature drops

D Bluetooth button: press down the adjustment wheel

Note!



Blue and red LED indicator flashes alternately:
faulty floor sensor