

Mounting recommendation

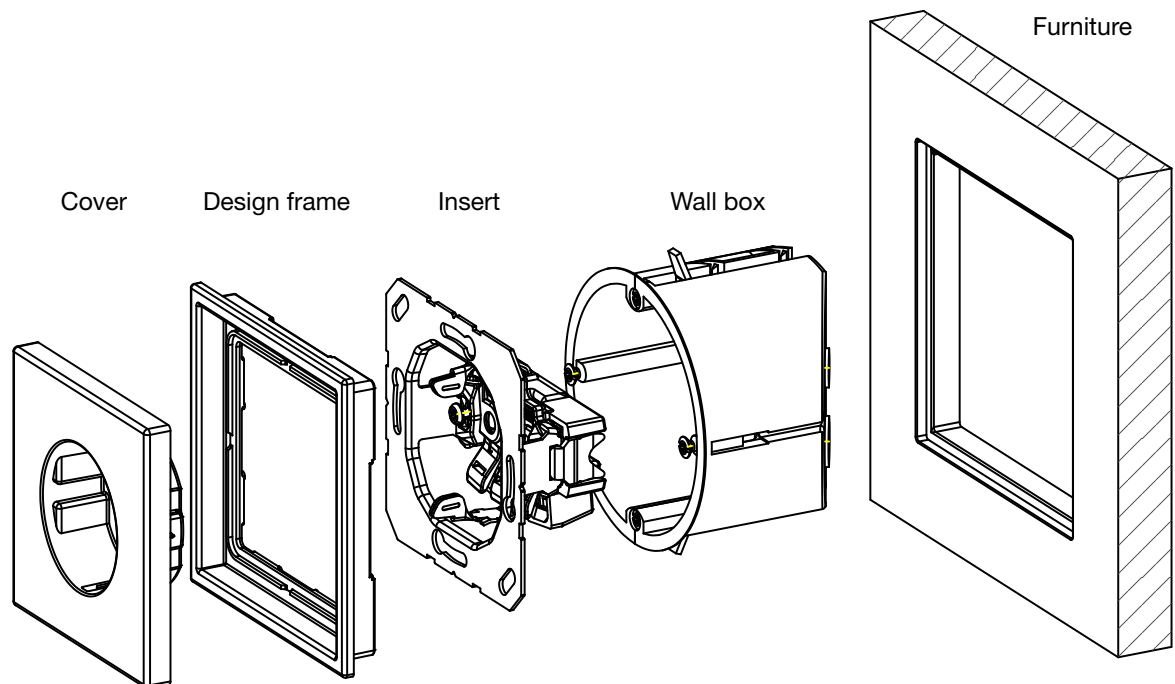
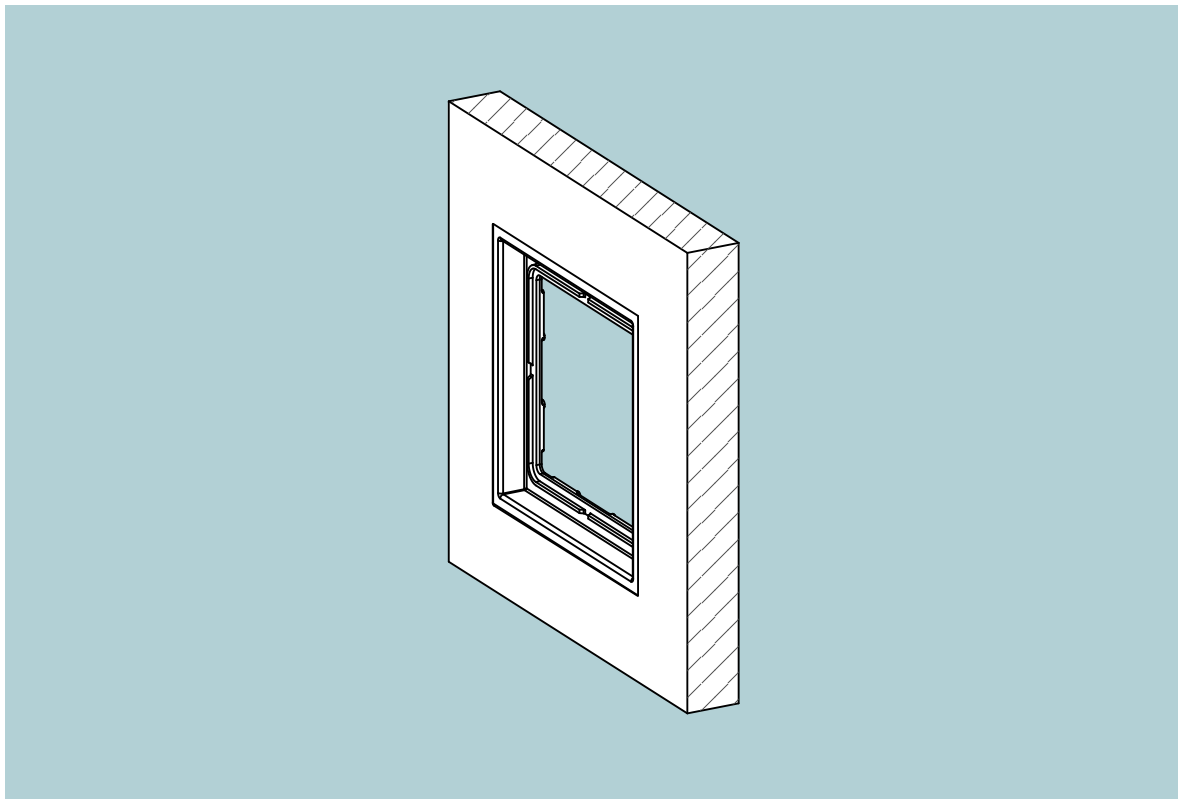
LS ZERO

0 mm

3 mm

# Mounting recommendation

0 mm

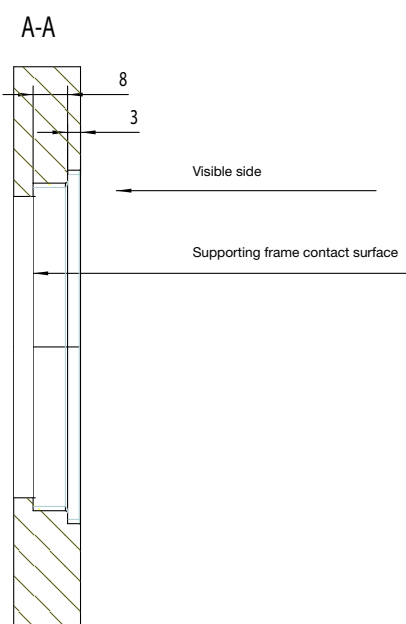
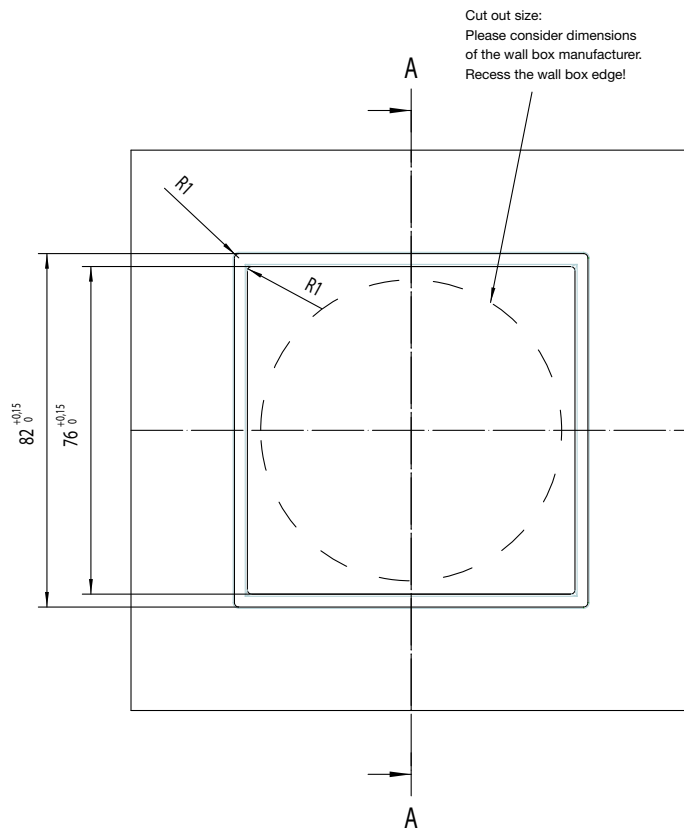


The flush mounting installation requires a minimum panel thickness of 13 mm. The supporting frame contact surface must be generated smooth and flat. Subsequently the cut out has to be sealed with a suitable sealing in order to avoid a swelling of the furniture.

# Mounting recommendation

0 mm

1-gang frame installation:

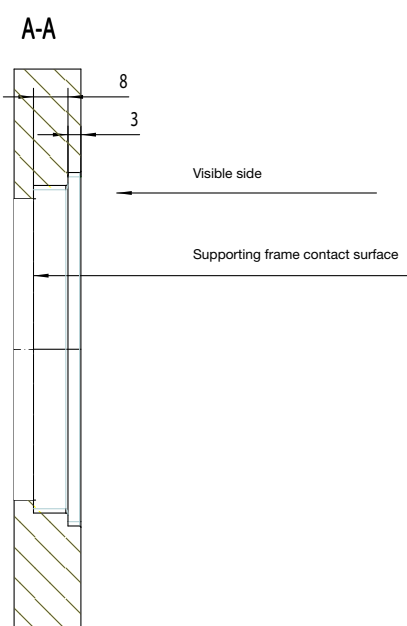
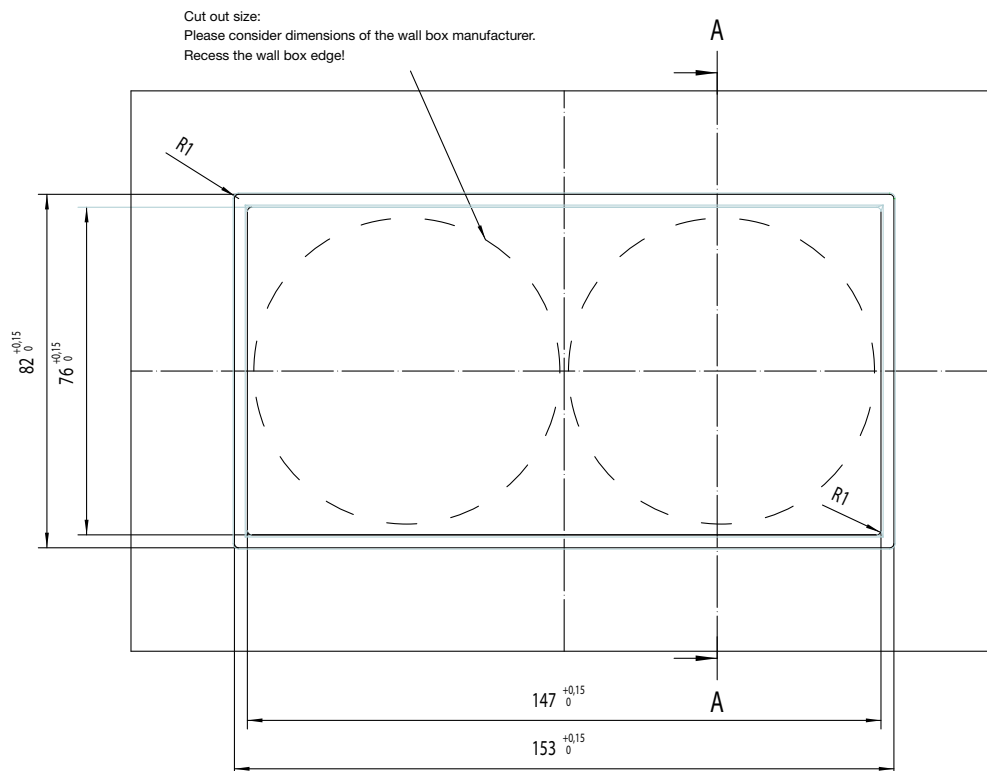


**Safety instructions for installation:** The insert may only be connected by a qualified electrician to the electrical network.

# Mounting recommendation

0 mm

## 2-gang frame installation:

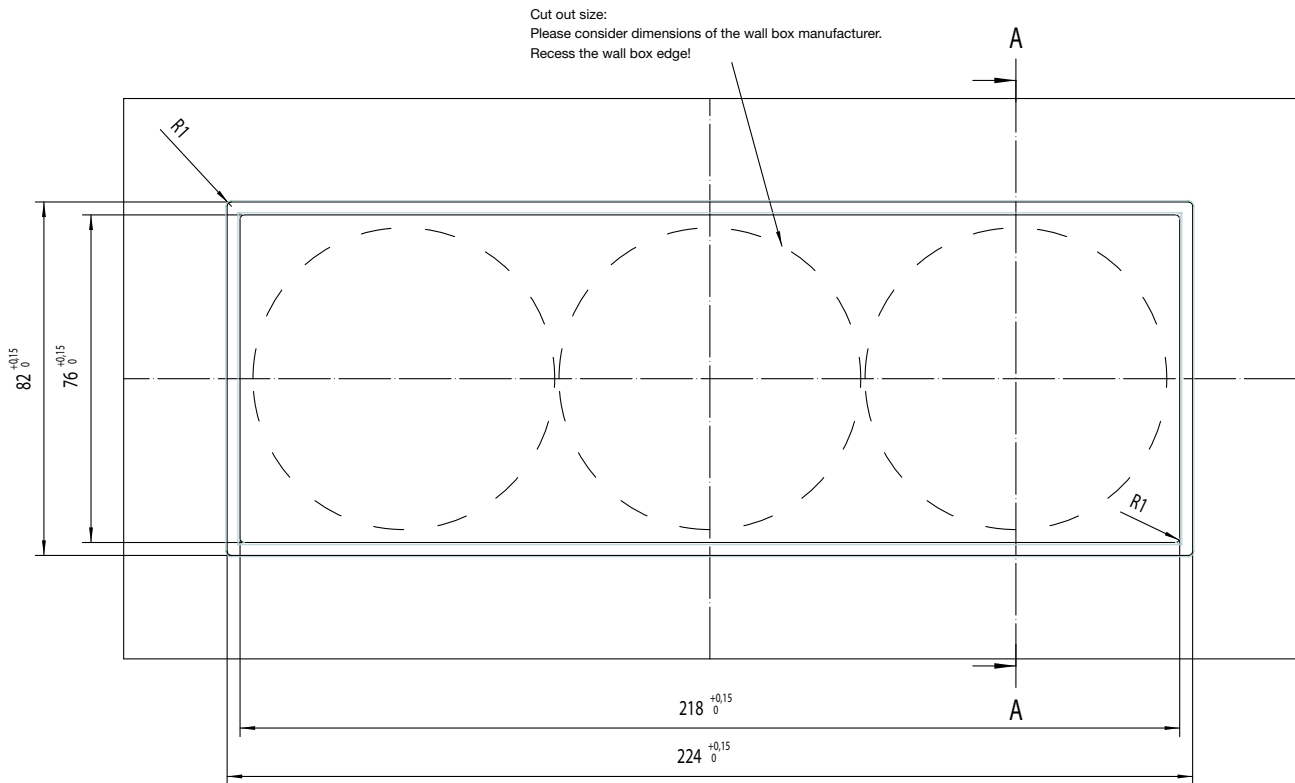


**Safety instructions for installation:** The insert may only be connected by a qualified electrician to the electrical network.

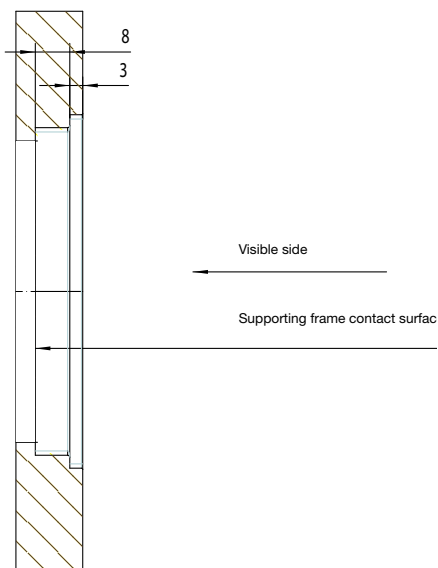
# Mounting recommendation

0 mm

3-gang frame installation:



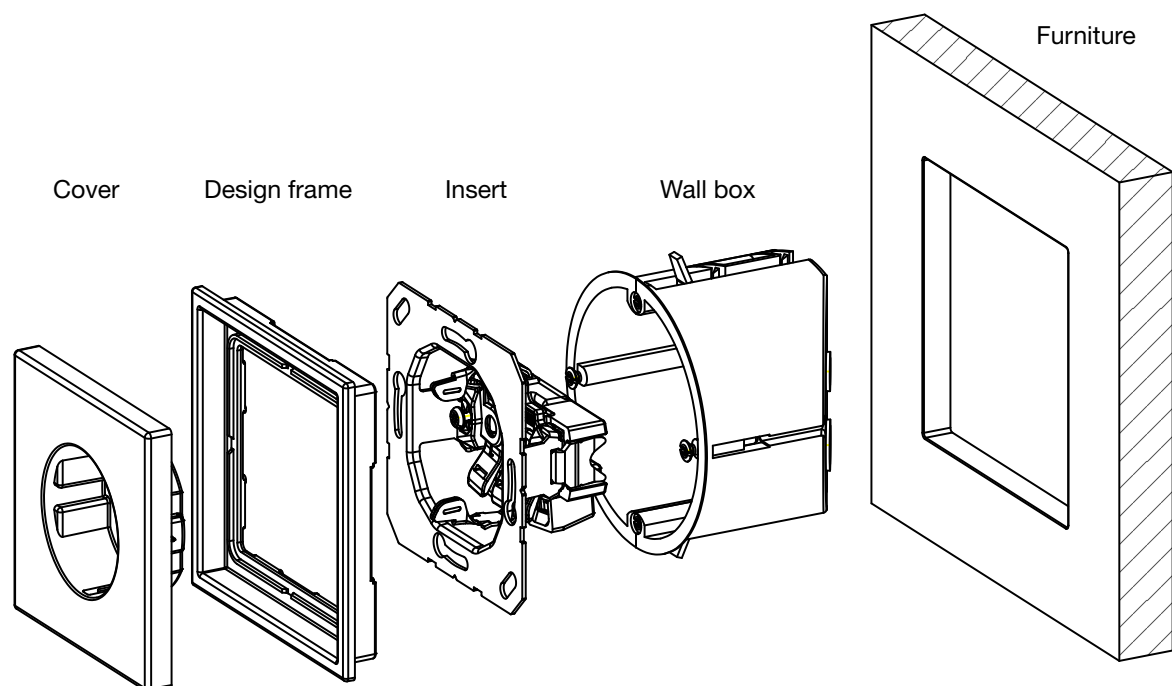
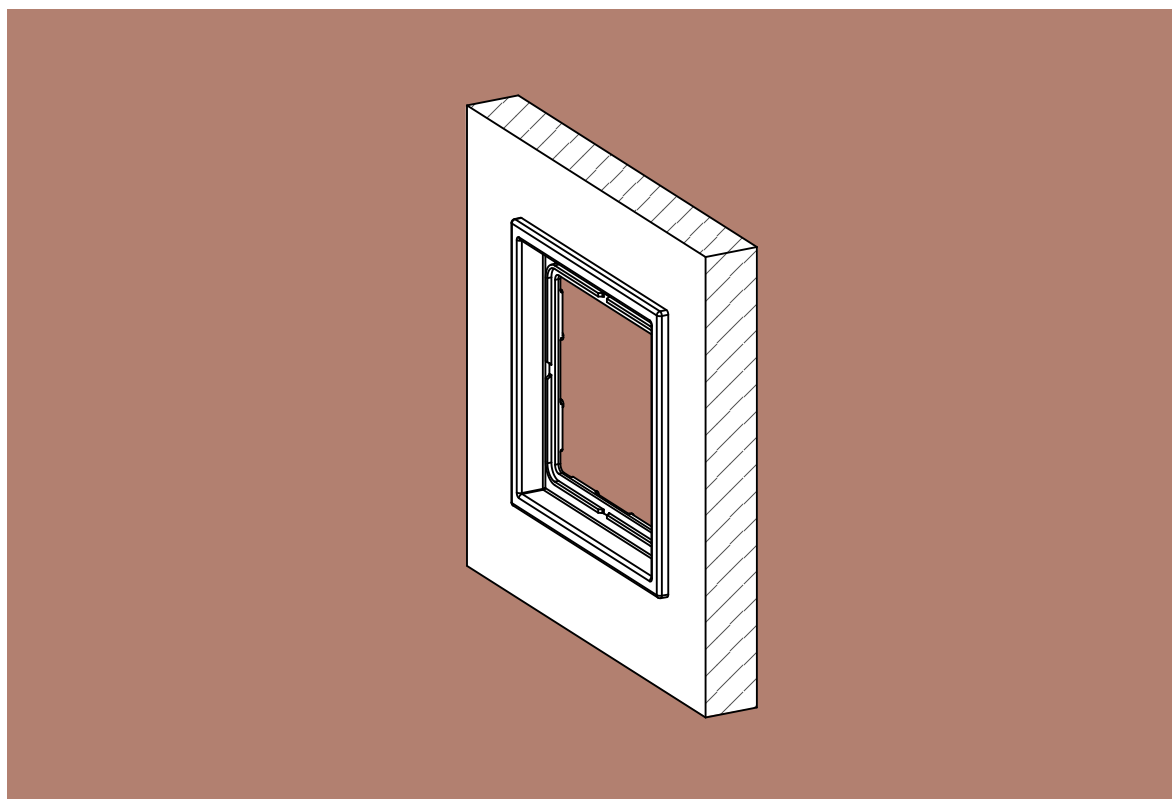
A-A



**Safety instructions for installation:** The insert may only be connected by a qualified electrician to the electrical network.

# Mounting recommendation

3 mm

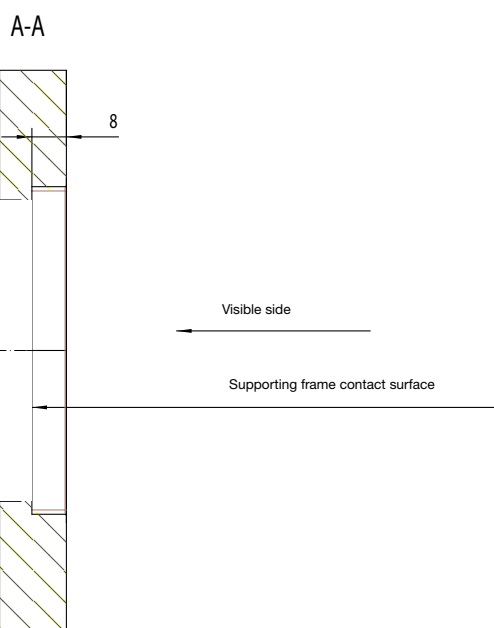
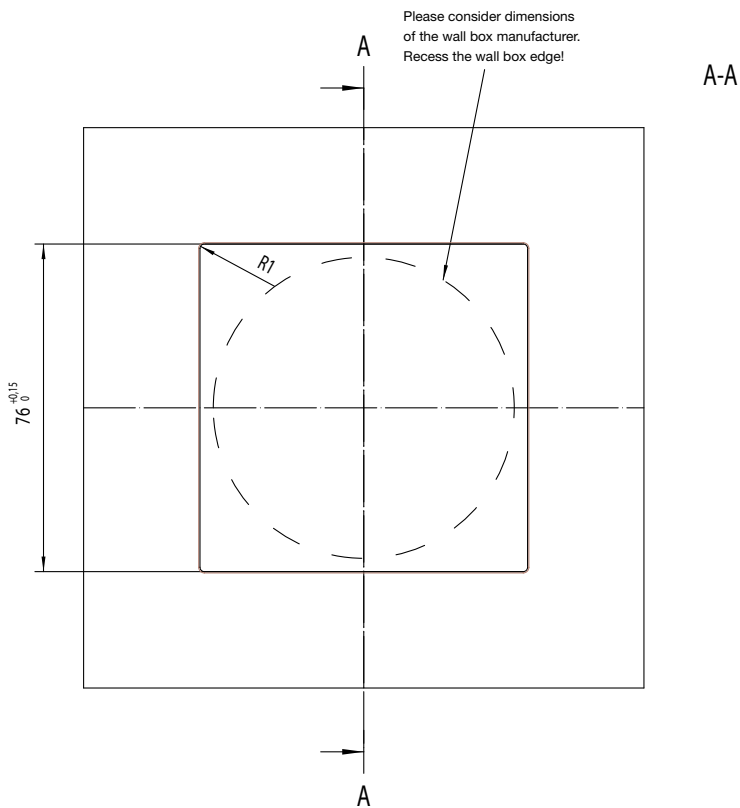


The flush mounting installation requires a minimum panel thickness of 13 mm. The supporting frame contact surface must be generated smooth and flat. Subsequently the cut out has to be sealed with a suitable sealing in order to avoid a swelling of the furniture.

# Mounting recommendation

3 mm

1-gang frame installation:

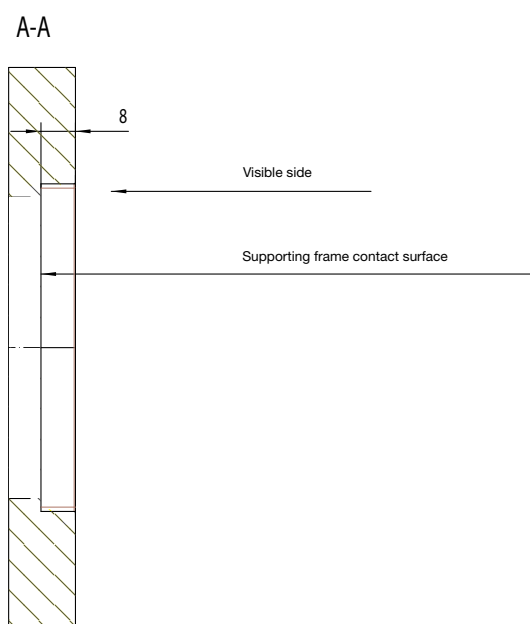
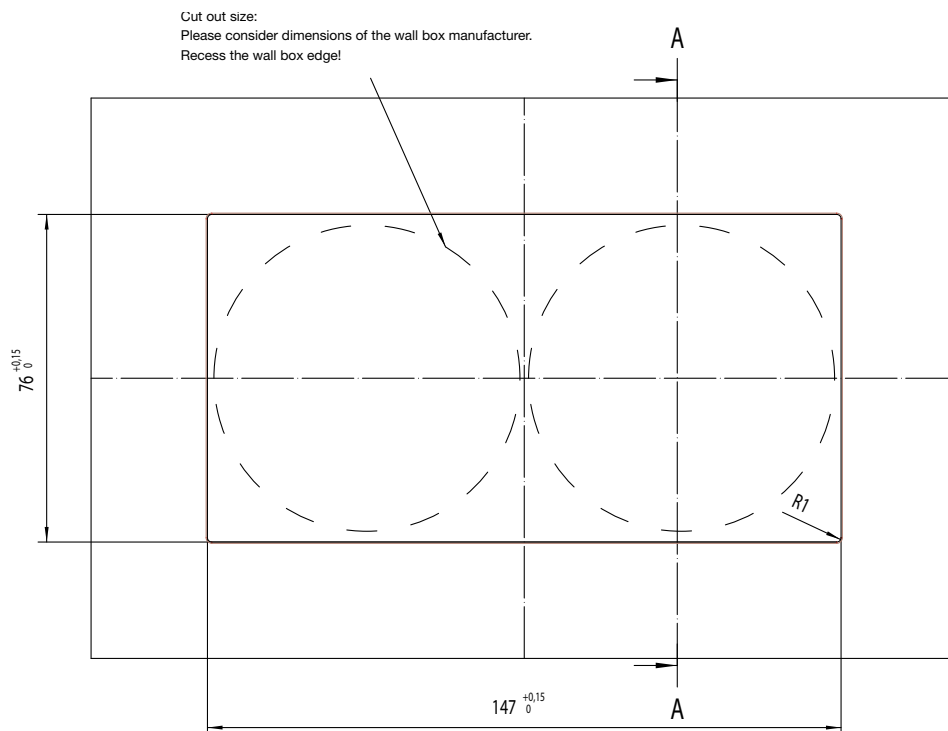


**Safety instructions for installation:** The insert may only be connected by a qualified electrician to the electrical network.

# Mounting recommendation

3 mm

2-gang frame installation:



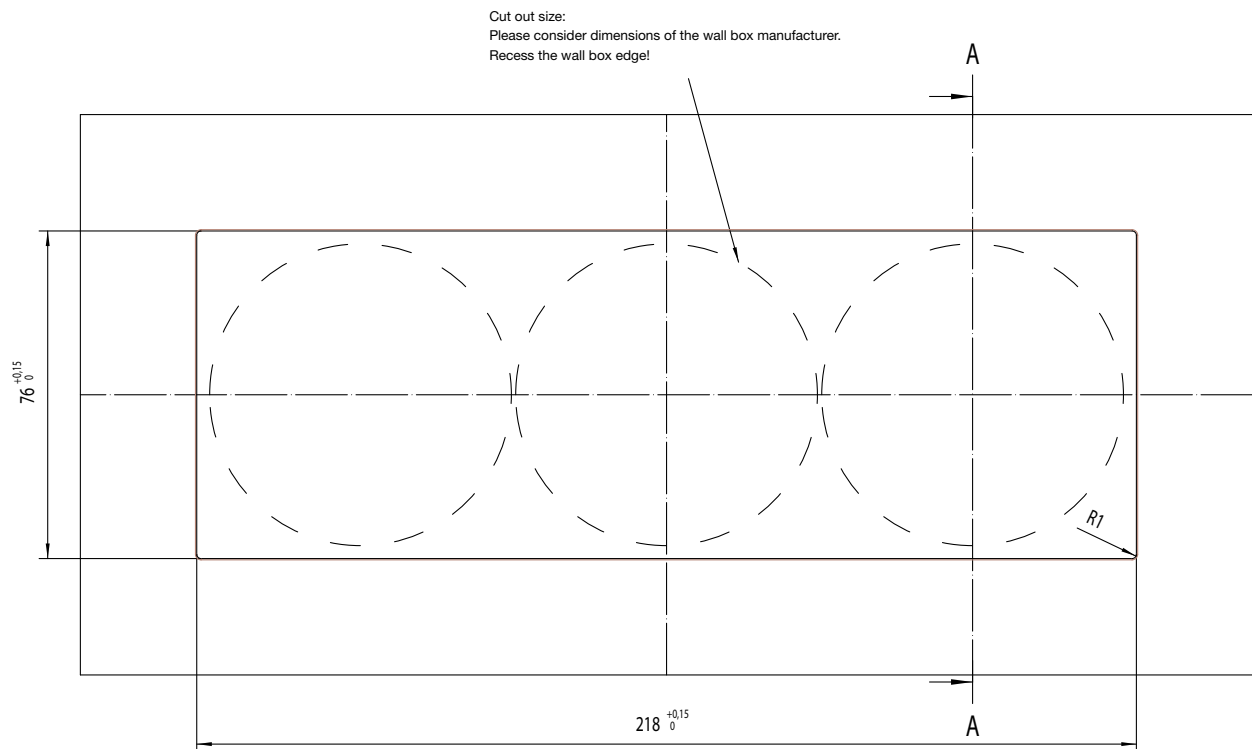
**Safety instructions for installation:** The insert may only be connected by a qualified electrician to the electrical network.



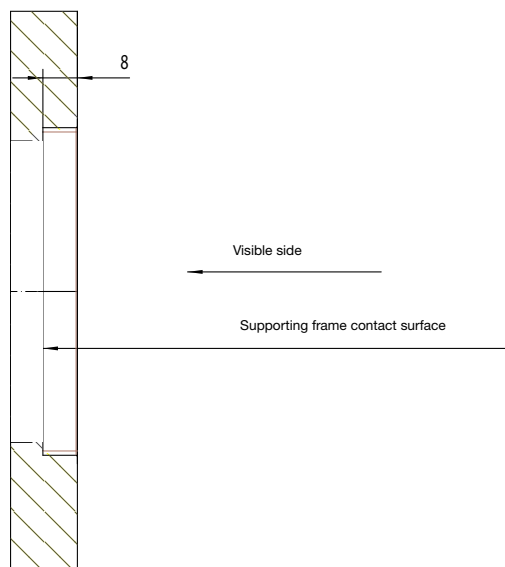
# Mounting recommendation

3 mm

3-gang frame installation:



A-A



**Safety instructions for installation:** The insert may only be connected by a qualified electrician to the electrical network.