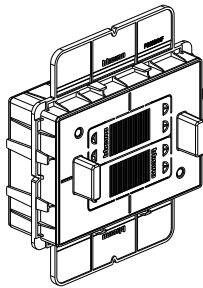
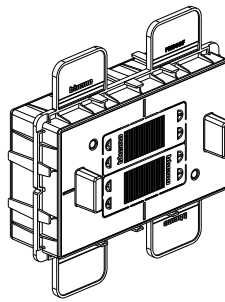


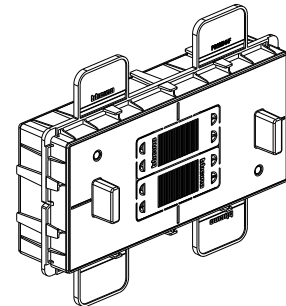
PB502NNF



PB503NNF



PB504NNF



PB506NNF

Use

Full flush installation accessory for Living NOW range in plasterboard applications. Installation must be completed with box for dry partitions, support, plate and devices.

Range

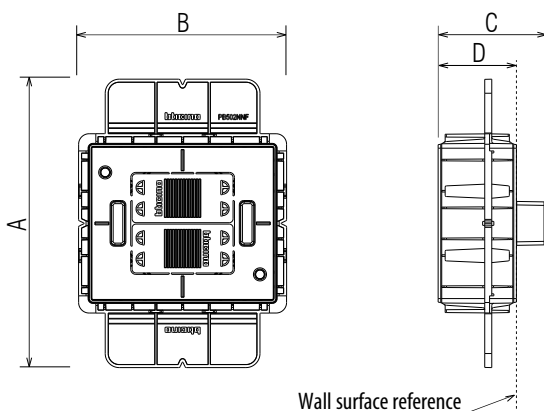
Designation	Cat. Nos.
2 modules full flush installation accessory	■ PB502NNF
3 modules full flush installation accessory	■ PB503NNF
4 modules full flush installation accessory	■ PB504NNF
6 modules full flush installation accessory	■ PB506NNF

Colours code: ■ Grey

Technical characteristics

- **Protection index**
 - considering a complete installation, penetration by solid bodies/liquid: IP40
- **Mechanical characteristics**
 - Impact test: IK 08
- **Material characteristics**
 - Materials:
 - Accessory body: blend PC-ABS
 - Protection cover: ABS
 - UV resistant.
 - Halogen free.
 - Self-extinguishing: 750° C / 30 s
- **Climatic characteristics**
 - Storage temperature: - 10° C to + 70° C
 - Use temperature: - 5° C to + 35° C

Overall dimensions (mm)



	A	B	C	D
PB502NNF	164	118,3	61,2	44,5
PB503NNF	164	140,8	61,2	44,5
PB504NNF	164	163,3	61,2	44,5
PB506NNF	164	208,5	61,2	44,5

Standards and approvals

Compliance with standards IEC CEI EN 60670-1
Refer to catalogue.

Cleaning

Clean the surface with a cloth.
Do not use acetone, tar-removing cleaning agents or trichloroethylene.

Caution: Always test before using special cleaning products.