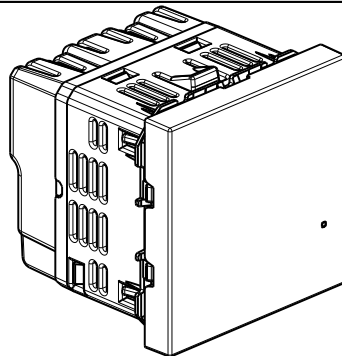


Connected rolling shutter switch



Use

Connected rolling shutter switch for controlling a shutter locally or remotely. Compatible with all standard rolling shutter motors (with a mechanical or electromechanical stop and max power 500 VA) controlled by a wired shutter switch (switching of the same motor power supply). Not compatible with motors for radio-controlled or pulse-controlled roller shutters. It can be associated with one or more wireless commands.
Caution: must be connected to the neutral.
2 modules.

Range

Designation

Cat. Nos.

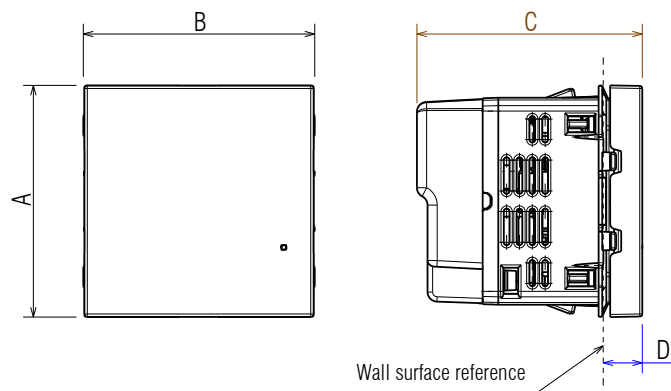
Connected switch for roller shutters supplied complete.	<input type="checkbox"/> YW4027CM2N
Equipped with a LED indicator.	<input type="checkbox"/> YG4027CM2N
Hidden reset button used to return to factory settings.	<input type="checkbox"/> YD4027CM2N
2 modules	

Colors: White Stone Dark

Connection

Terminal type: screw
Terminal capacity: 2 x 2.5 mm² or 2 x 1.5 mm²
Stripping length: 8 mm
Screwdriver: 3 mm

Overall dimensions (mm)



A	B	C	D
45.1	45.05	43.9	8.6

Technical characteristics

- Mechanical characteristics

Protection against impacts: IK 04
Protection against solid bodies/liquids: IP 20 assembled product

- Material characteristics

Mechanism casing: PC
Halogen-free
UV resistant
Self-extinguishing: + 850°C/30 s for insulating parts holding live parts in place.
+ 650°C/30 s for the other insulating components.

- Electrical characteristics

Voltage: 110/230 V~
Current: 2 A
Power: 500 W
Standby consumption: 0.1 mA

Zigbee technology 2.4 GHz to 2.4835 GHz

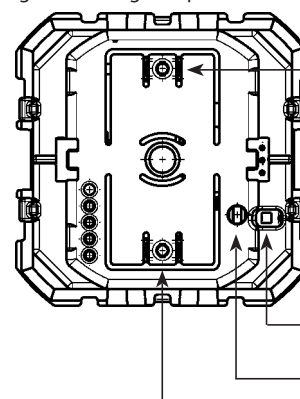
Power level: REC 70-03: < 20 dBm
Range: 200 m of unobstructed space
10 m between products

- Climate characteristics

Storage temperature: 0°C to +45°C
Usage temperature: +5°C to +45°C

5. OPERATION

Integrated timing for up/down reversals = 500 ms



- short press rises to the top
- prolonged press rises until release
- BSO mode: long press orients the slats

LED indicator: usefull during installation

RESET Pushbutton

- short press goes down
- prolonged press goes down until release
- BSO mode: long press orients the slats

Standards and approvals

Compliant with installation and manufacturing standards.

See e-catalogue.

The undersigned, BTICINO, declares that the radio-electric equipment type (YW4027CM2N-YG4027CM2N-YD4027CM2N) complies with directive 2014/53/EU.

The full text of the EU declaration of conformity is available on the following website:

www.bticino.it/red

Cleaning

Clean the surface with a cloth.

Do not use acetone, tar-removing cleaning agents or trichloroethylene.

Resistant to the following products: Hexane (EN 60669-1), methylated spirit, soapy water, diluted ammonia, bleach diluted to 10%, window-cleaning products, pre-impregnated wipes.

The plates must not be painted.

Caution: Always test before using special cleaning products.