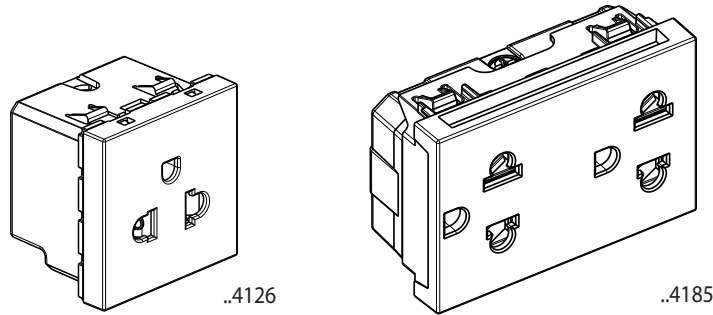


Socket outlets
Euro-American standard



Use

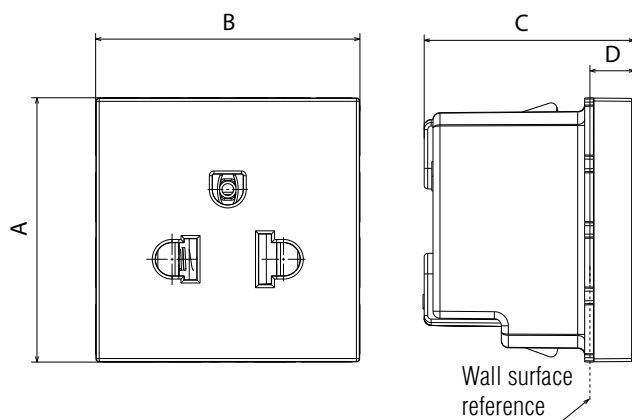
Socket outlets for: Euro-American standard plugs.

Range

Designation	Item
Socket Euro-American standard 2P+E - 16A - 127/250 Va.c. - shielded tulip contacts - 2 modules	<input type="checkbox"/> YW4126 <input type="checkbox"/> YG4126 <input type="checkbox"/> YD4126
Duplex Socket 2P+E - 16A - 127/250 Va.c. - shielded holes - in dual-centre configuration - 3 modules	<input type="checkbox"/> YW4185 <input type="checkbox"/> YG4185 <input type="checkbox"/> YD4185

Colors: White Stone Dark

Overall dimensions (mm)



	A	B	C	D
2 modules ..4126	45.1	45.1	35.9	8.6
3 modules ..4185	45.1	67.2	34.2	7.6

Connection

Terminal type: screw clamp
Terminal capacity: 2 x 4mm² max
Stripping length: 11 mm
Compatible with flexibe or rigid cables

Technical characteristics

- **Protection index:**
(considering a complete installation, including cover plate)
 - Penetration by solid bodies/liquid: IP21D
 - Impact test: IK04
- **Material characteristics:**
 - Case: PC (polycarbonate)
 - Key cover: PC
 - Halogen Free
 - UV resistant
 - Self-extinguishing:
850°C/30s for insulating parts holding live parts in place.
650°C/30s for other parts made of insulating material.
- **Electrical characteristics:**
 - Voltage: 127/250 V a.c.
 - Current: 16A
- **Climatic characteristics:**
 - Storage temperature: -10° C a +70° C
 - Use temperature: -5° C a +35° C

Cleaning

Clean the surface with a cloth.
Do not use acetone, tar-removing cleaning agents or trichloroethylene.

Caution: Always test before using special cleaning products.

Standards and approvals

Compliance with standards IEC 60884-1.

Refer to e.catalogue.