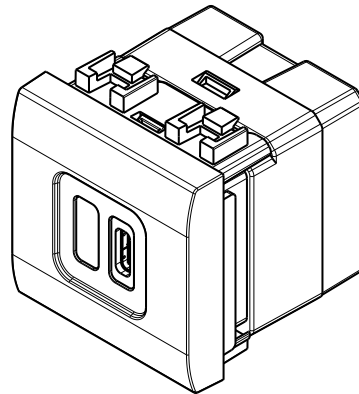


U45W USB Charger - Type-C



1. USE

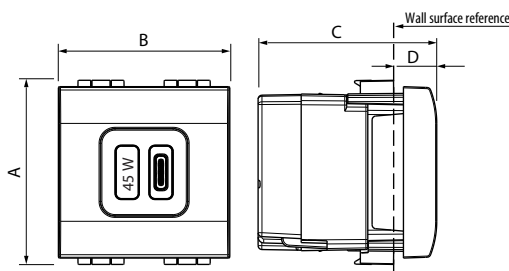
Allows you to power and charge multimedia terminals: PC, tablets, smartphones.
 USB Power Delivery and Quick charge are new fast charging technologies built into iOS/Apple and Android/Google devices.
 Technologies enabling a faster charging level than conventional technologies, operating via an exchange between the terminal and the charger.

2. RANGE

Designation	Cat. No.
USB socket - 45w	<input type="checkbox"/> N4294C
	<input type="checkbox"/> NT4294C
	<input type="checkbox"/> L4294C

Colours code: Bianco Tech Antracite

3. OVERALL DIMENSIONS (mm)



A	B	C	D
47	43.75	45.6	11

4. CONNECTION

Type of terminal: with screws
 Terminal capacity: 2 x 2.5 mm2
 Stripping length: 6 mm
 Screwdriver: flat 3.5 mm

Recommended use: circuit terminal outlet

5. TECHNICAL CHARACTERISTICS

5.1 Mechanical characteristics

Impact tests: IK 04
 Penetration by solid bodies/liquid: IP 20

5.2 Material characteristics

Material:
 - Base: PC
 - Cover plate: PC
 - Halogen free
 - UV resistant

Self-extinguishing:

+ 850° C / 30 s for insulating parts holding live parts in place.
 + 650° C / 30 s for other parts made of insulating materials.

5.3 Climatic characteristics

Storage temperature: - 20° C to + 70° C
 Operating temperature: 0° C to + 45° C

5.4 Electrical characteristics

All values listed below are measured at an ambient temperature of + 25° and after 15 minutes of operation.

Nominal input voltage	220 - 240 V~
Nominal input frequency	50-60 Hz
Maximum input current	0.8A
Maximum power consumption in standby	0.08 W
Power average efficiency	88 %
Nominal output	5 V = (*)
Maximum output power	45W
Classe de consommation hors charge et niveau moyen d'efficacité: level VI**	
Safety-standard	EN60950-1
Protection class	II - Low voltage

**NB: European Regulation No. 278/2009 of 6 April 2009, Directive 2005/32/EC on eco-design requirements for AC/DC power supplies

(*)Charging Volatage:

5,0 V = →	3,0 A
9,0 V = →	3,0 A
12,0 V = →	3,0 A
15,0 V = →	3,0 A
20,0 V = →	2,2 A

Note: To optimize charging time , switch off your device during charging

U45W USB Charger - Type-C

6. CLEANING

Surface cleaning with a cloth.

Do not use: acetone, tar remover, trichlorethylene.

Caution: A preliminary test should be carried out if specific cleaning products are to be used.

7. STANDARDS AND APPROVALS

Certified Power Delivery item: Open std for fast charger

Compliant with product and installation standard.

See catalogue

(1)

It is able to provide a faster charging compared to traditional USB thanks to sharing infos between charger and terminal.

Note : On going integration on Smartphones IOS-Android from 2015, 100 % during 2020 .