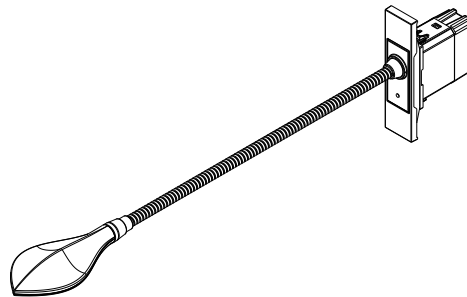


Lighting



Use

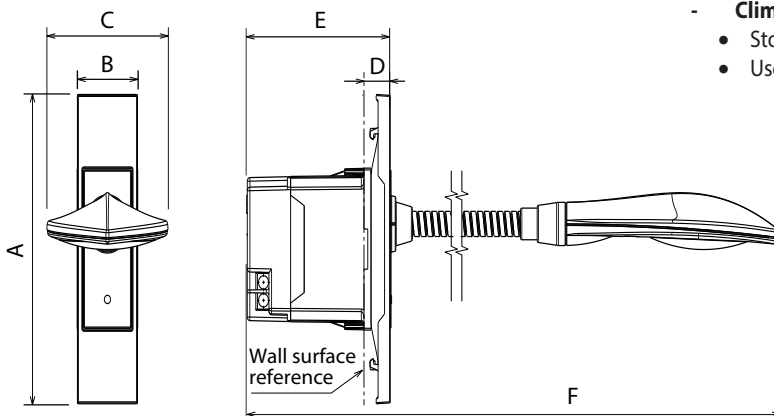
Reading lamp dimmable.
installing the head of the bed allowing you to have a directional light. It is equipped with a flexible arm (length 31 cm) that allows you to orient the illuminating ends.
The light intensity can be dimmed by pressing and holding the On/Off integrated command.
It can also be connected to a remote control and, if necessary, you can disable the built-in command with a 30 sec pressure .

Range

Designation	Item
Reading lamp dimmable. - 1 module	<input type="checkbox"/> KW4362
	<input checked="" type="checkbox"/> KG4362
	<input type="checkbox"/> KM4362

Colors: White Black Sand

Overall dimensions (mm)



A	B	C	D	E	F
86	22.2	44.7	9.7	53	375

Connection

Terminal type: screw clamp
Terminal capacity: 1 x 1.5mm² max
Stripping length: 8 mm
Compatible with flexible or rigid cables

Technical characteristics

- **Protection index:**
(considering a complete installation, including cover plate)
 - Penetration by solid bodies/liquid: IP40
 - Impact test: IK04
- **Material characteristics:**
 - Case: PC (polycarbonate)
 - Cover: ABS
 - Halogen Free
 - UV resistant
 - Self-extinguishing:
 - 850°C/30s for insulating parts holding live parts in place.
 - 650°C/30s for other parts made of insulating material.
- **Electrical characteristics:**
 - Voltage: 230 V a.c.
 - Frequency: 50 Hz
 - Consumption: 3.3 W
 - Luminous Flux: 110 Lumen (equivalent to 15W incandescent).
- **Climatic characteristics:**
 - Storage temperature: -10° C a +70° C
 - Use temperature: -5° C a +35° C

Cleaning

Clean the surface with a cloth.
Do not use acetone, tar-removing cleaning agents or trichloroethylene.

Caution: Always test before using special cleaning products.

Standards and approvals

Compliance with standards CEI/EN 60598-1, 2-2. Refer to e.catalogue.