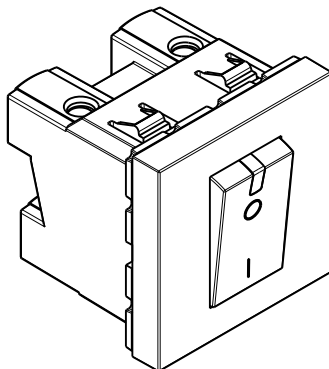


switch 32A 2P



Use

Control device for lighting and other loads.

Connection

Terminal type: screw clamp
 Terminal capacity: 2 x 4 mm² 1 x 6 mm² max
 Stripping length: 10 mm
 Compatible with flexible or rigid cables

Range

Designation	Item
32 A - 250 Va.c. 2 P switch with integrated red led, not replaceable 2 module	<input type="checkbox"/> RW4011P
	<input type="checkbox"/> RA4011P
	<input type="checkbox"/> RG4011P

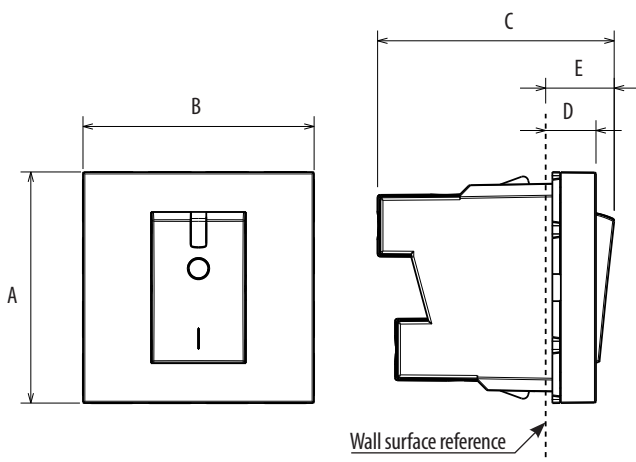
Color code:

White colour Aluminum colour Black colour

Technical characteristics

- **Protection index**
(considering a complete installation, including cover plate)
Penetration by solid bodies/liquid: IP40
- **Mechanical characteristics**
Impact test: IK 04
- **Material characteristics**
Material:
Case: PC (Polycarbonate)
Key cover: ABS/PC
UV resistant.
Self-extinguishing:
850° C / 30 s for insulating parts holding live parts in place
650° C / 30 s for other parts made of insulating materials
- **Electrical characteristics**
Voltage: 250 V a.c.
Current: 32A
- **Climatic characteristics**
Storage temperature: - 10° C to + 70° C
Use temperature: - 5° C to + 35° C

Overall dimensions (mm)



A	B	C	D	E
45.1	45	46.1	9.8	13.4

Cleaning

Clean the surface with a cloth.
 Do not use acetone, tar-removing cleaning agents or trichloroethylene.
 Caution: Always test before using special cleaning products.

Standards and approvals

Compliance with standards
 Refer to e.catalogue.