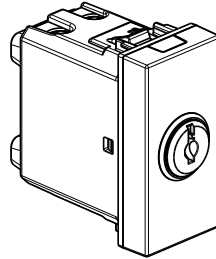


Switches with Key



Use

Key controls for lighting and other controls

Range

Designation

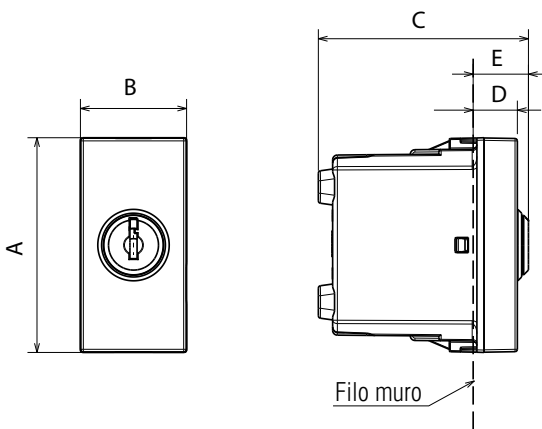
Item

- | | |
|--|---------------------------------|
| 2-Way switch 1P 10AX - 250Va.c. with key | <input type="checkbox"/> RW4022 |
| - the key can be removed in both positions | <input type="checkbox"/> RA4022 |
| - the keys are different for the various devices | <input type="checkbox"/> RG4022 |
| 1 module | |

Color code:

- White colour Aluminum colour Black colour

Overall dimensions (mm)



	A	B	C	D	E
..4022	45.1	22.5	44.1	9.8	12.1

Connection

Terminal type: screw clamp
 Terminal capacity: 2 x 4 mm² max
 Stripping length: 11 mm
 Compatible with flexible or rigid cables

Technical characteristics

- **Protection index**
 (considering a complete installation, including cover plate)
 Penetration by solid bodies/liquid: IP40

- **Mechanical characteristics:**
 Impact test: IK 04

- **Material characteristics:**
- Case: PC (policarbonato)
 - Cover : PC/ABS
 - Halogen Free
 - UV resistant
 - Self-extinguishing :

850° C / 30 s for insulating parts holding live parts in place
 650° C / 30 s for other parts made of insulating materials

- **Electrical characteristics**

Voltage: 250 V a.c.
 Current: 10 AX

- **Climatic characteristics**

Storage temperature: - 10° C to + 70° C
 Use temperature: - 5° C to + 35° C

Cleaning

Clean the surface with a cloth.
 Do not use acetone, tar-removing cleaning agents or trichloroethylene.

Caution: Always test before using special cleaning products.

Standard and approvals

Compliance with standards IEC/EN 60669-1.

Refer to e.catalogue.