

Use

Keystone connectors adapter.

Connection

Snap coupling

Range

Designation	Item
Keystone connectors adapter 2 Modules	<input type="checkbox"/> RW4956
	<input type="checkbox"/> RA4956
	<input type="checkbox"/> RG4956

Technical characteristics

- **Protection index**
(considering a complete installation, including cover plate)
Penetration by solid bodies/liquid: IP20

- Impact test: IK 04

- **Material characteristics**

Material: Cover PC/ABS

Halogen-free

UV resistant

Self-extinguishing: 650°C/30 s

- **Climatic characteristics**

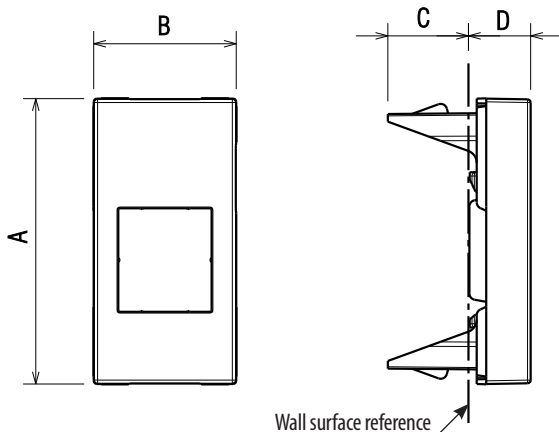
Storage temperature: - 10° C to + 70° C

Use temperature: -5° C to + 35° C

Color code:

White colour Aluminum colour Black colour

Overall dimensions (mm)



A	B	C	D
45	22.5	12.7	9.8

Cleaning

Clean the surface with a cloth.

Do not use acetone, tar-removing cleaning agents or trichloroethylene.

Caution: Always test before using special cleaning products.

Standards and approvals

Compliance with standards TIA-568-C-2

Refer to e.catalogue.