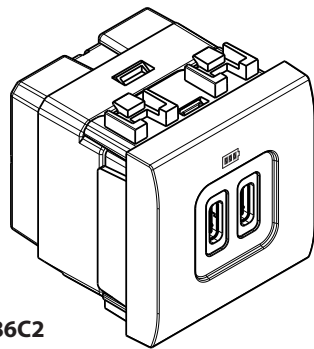


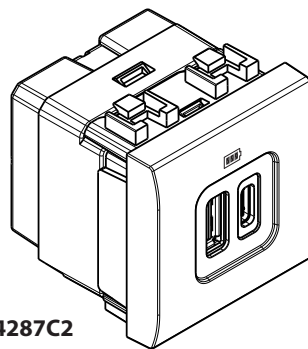
LIVINGLIGHT

USB universal charger - 3000 mA - Type C+C
 USB universal charger - 3000 mA - Type A+C

N4286C2 - NT4286C2 - L4286C2
 N4287C2 - NT4287C2 - L4287C2



.4286C2



.4287C2

Use

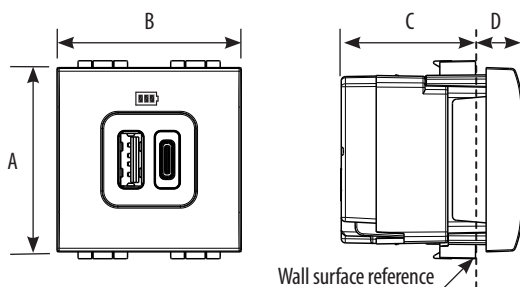
For recharging portable devices such as phones, smartphones, tablets, MP3 or MP4 players, loudspeakers, watches, game consoles, powerbanks.
 Quick charge of one single electronic device up to 3000 mA or simultaneous charging of two devices up to 1500 mA.

Range

Designation	Item
USB charger TYPE C + C - 2 modules	<input type="checkbox"/> N4286C2 <input type="checkbox"/> NT4286C2 <input type="checkbox"/> L4286C2
USB charger TYPE A + C - 2 modules	<input type="checkbox"/> N4287C2 <input type="checkbox"/> NT4287C2 <input type="checkbox"/> L4287C2

Colours code: White Tech Anthracite

Overall Dimensions



A	B	C	D
44	44	32	11

Connection

Type of terminal: with screws
 Terminal capacity: 1 x 2.5 mm²
 Stripping length: 6 mm
 Screwdriver: flat 3.5 mm

Recommended use: circuit terminal outlet

Technical Characteristics

- **Protection index**
 (considering a complete installation, including cover plate)
 Penetration by solid bodies/liquid: IP20D
- **Mechanical characteristics**
 Impact test: IK 04

Technical Characteristics (continued)

- Material characteristics

Material:
 Case: PC (Polycarbonate) Key cover: ABS
 Halogen free and UV resistant.
 Self-extinguishing:
 850° C / 30 s for insulating parts holding live parts in place
 650° C / 30 s for other parts made of insulating materials

- Climatic characteristics

Storage temperature: - 10° C to + 70° C
 Use temperature: - 5° C to + 35° C

- Electrical characteristics

All values listed below are measured at an ambient temperature of + 25° and after 15 minutes of operation.

Nominal input voltage	100 - 240 V~
Nominal input frequency	50-60 Hz
Maximum input current	500 mA
Maximum power consumption in standby	0.1W
Power average efficiency	81 %
Nominal output voltage	5 V ---
Maximum output current	3000 mA
Classe de consommation hors charge et niveau moyen d'efficacité: level VI*	
Safety-standard	EN 60950-1
Protection class	II - Low voltage

* NB: European Regulation No. 278/2009 of 6 April 2009, Directive 2005/32/EC on eco-design requirements for AC/DC power supplies

- Average charging time for devices equipped with lithium ion polymer batteries:

- 80 % charged < 1 h 15
- 100 % charged < 2 h 00

Cleaning

Clean the surface with a cloth.
 Do not use: acetone, tar remover cleaning agents or trichlorethylene.
- Caution: Always test before using special cleaning products.

Standards and approvals

EC 60950-1: low voltage directive.
 IEC 62684 / EN 50558 conform to the interoperability specifications of common external power supply (EPS) for use with mobile telephones.
 Conform to eco design directive 2009/125/EC.