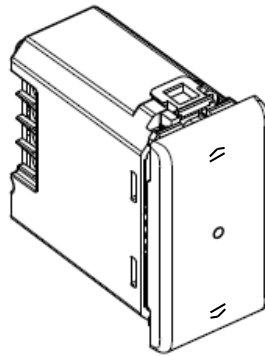


**MÀTIX QUINZIÑO<sup>MX</sup>**  
**Connected rolling shutter switch**

AM4027C

QZ4027C

**Use**

Connected rolling shutter switch for controlling a shutter locally or remotely. Compatible with all standard rolling shutter motors (with a mechanical or electromechanical stop and max power 500 VA) controlled by a wired shutter switch (switching of the same motor power supply). not compatible with motors for radio-controlled or pulse-controlled roller shutters. It can be associated with one or more wireless commands. **Caution:** Must be connected to the neutral. - 1 module.

**Range**

Designation	Cat. Nos.
Connected switch for roller shutters supplied complete.	<input type="checkbox"/> AM4027C
Equipped with an LED indicator.	<input type="checkbox"/> QZ4027C
Hidden reset button used to return to factory settings.	

Colours code:

 White**Connection**

Terminal type: screw  
Terminal capacity: 1 x 2.5 mm<sup>2</sup> - 2 x 1.5 mm<sup>2</sup>  
Stripping length: 7 mm  
Screwdriver: 3 mm flat

**Technical characteristics****- Mechanical characteristics**

Protection against impacts: IK 04  
Protection against solid bodies/liquids: IP 20 assembled product

**- Material characteristics**

Mechanism casing: PC

Halogen-free

UV resistant

Self-extinguishing: + 850°C/30 s for insulating parts holding live parts in place.  
+ 650°C/30 s for the other insulating components.

**- Electrical characteristics**

Voltage: 100/240 V~

Power: 500 VA max - 240 VAC  
270 VA max - 100 VAC

Frequency: 50/60 Hz

Standby consumption: 1 mA

**Zigbee technology** 2.4 GHz to 2.4835 GHz

Power level: REC 70-03: &lt; 20 dBm

Range: 200 m of unobstructed space  
10 m between products

**- Climate characteristics**

Storage temperature: 0°C to +45°C

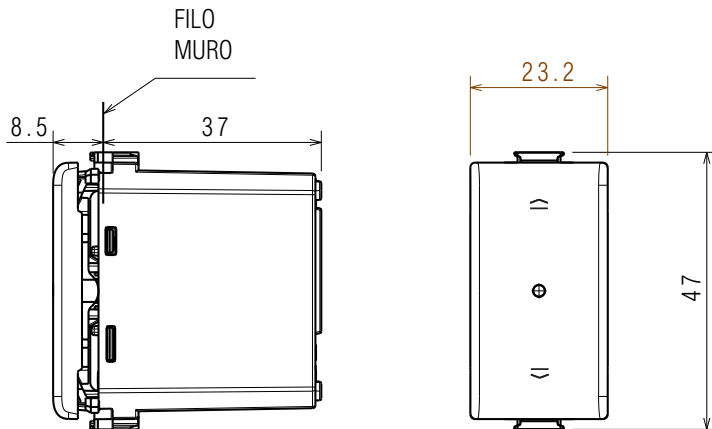
Usage temperature: +5°C to +45°C

**Standards and approvals**

Compliant with installation and manufacturing standards.  
See e-catalogue.

The undersigned, BTICINO, declares that the radio-electric equipment type (AM4027C-QZ4027C) complies with directive 2014/53/EU.  
The full text of the EU declaration of conformity is available on the following website: [www.bticino.it/red](http://www.bticino.it/red)

Overall dimensions (mm)



Cleaning

Clean the surface with a cloth.  
 Do not use acetone, tar-removing cleaning agents or trichloroethylene.

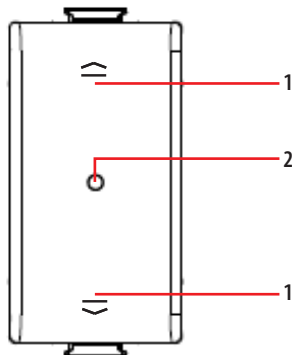
**Caution: Always test before using special cleaning products.**

The plates must not be painted.

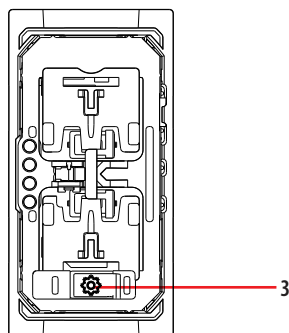


Operation

Front view



Front view without coverkey



Legend

- 1. Control Pushbutton
- 2. LED indicator: useful during installation
- 3. RESET pushbutton: used to return to factory settings