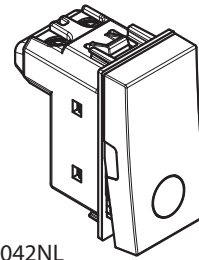


..4005LNL



..4042NL

Use

Pushbutton for lighting and other loads.

Connection

Terminal type: screw clamp
Terminal capacity: 2 x 4 mm² max
Stripping length: 9 mm
Compatible with flexible or rigid cables

Range

Designation	Item 1 Module
Pushbuttons 1P (NO) 10A 250 Va.c.	<input type="checkbox"/> RW4005LNL
	<input checked="" type="checkbox"/> RG4005LNL
	<input type="checkbox"/> RW4042NL
	<input checked="" type="checkbox"/> RG4042NL

Color code:

White colour Black colour

Technical characteristics

- Protection index

(considering a complete installation, including cover plate)
Penetration by solid bodies/liquid: IP40

- Mechanical characteristics

Impact test: IK 04

- Material characteristics

Material:
Case: PC (Polycarbonate)
Key cover: ABS - ABS/PC
UV resistant.

Self-extinguishing:

850° C / 30 s for insulating parts holding live parts in place
650° C / 30 s for other parts made of insulating materials

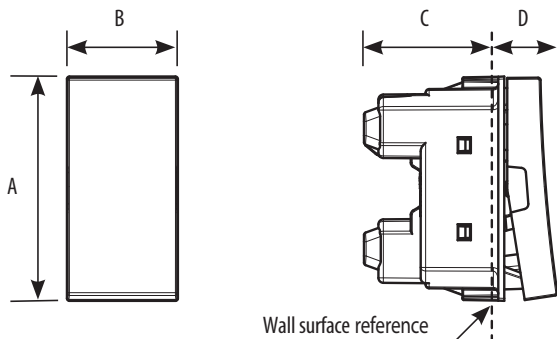
- Electrical characteristics

Voltage: 250 V a.c.
Current: 10A for ..4005LNL/ ..4042NL

- Climatic characteristics

Storage temperature: - 10° C to + 70° C Use
temperature: - 5° C to + 35° C

Overall dimensions (mm)



..4005LNL / ..4042NL	A	B	C	D
	45.1	22.3	27	11.9

Cleaning

Clean the surface with a cloth.
Do not use acetone, tar-removing cleaning agents or trichloroethylene.
Caution: Always test before using special cleaning products.

Standards and approvals

Compliance with standards IEC/EN 60669-1.
Refer to e.catalogue.