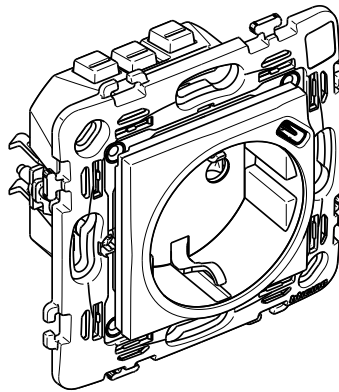


## 2P+E+typeC mixed socket outlet



### Use

2 P+E socket outlets with child protection.  
USB Type C socket: for recharging portable devices such as phones, smartphones, tablets, MP3, MP4, loudspeakers, watches, game consoles, powerbanks.  
Recessed mounting in box depth 40 mm min.  
Claw and/or screw fixing.  
To be equipped with related cover and plate.

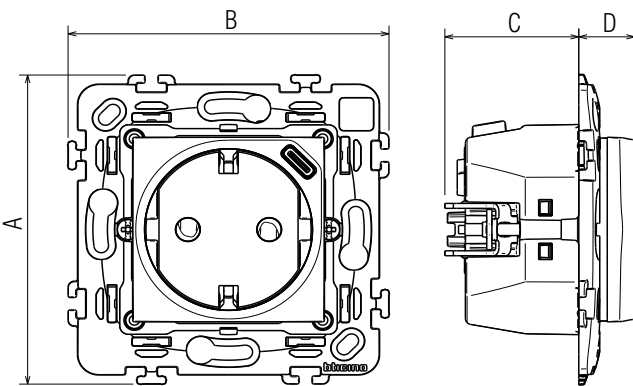
### Range

Designation	Cat. Nos.
Mixed socket composed of:	
- 2 P+E socket outlet - 16 A - 250 V~	<input type="checkbox"/> RW4141USB
- single USB socket - 5 V= - 1.5 A - 7.5 W	<input type="checkbox"/> RA4141USB
Supplied with support (spacing 71 mm)	<input type="checkbox"/> RG4141USB

### Colours code:

- White
- Aluminum
- Black

### Overall dimensions (mm)



A	B	C	D
75	75	31,3	13

### Connection

- **2 P+E socket outlet**  
Terminal Type: automatics  
Terminal capacity: 2 x 2.5 mm<sup>2</sup>  
Stripping length: 11 mm  
Flexible or rigid cables compatible
- **Type C USB socket**  
Prewired socket

### Technical characteristics

#### - Mechanical characteristics

Protection against impact: IK 04  
Protection against solid bodies and liquids: IP 20D

#### - Material characteristics

Mechanism casing: PC  
Cover plate: PC White - PC Black - PC painted Aluminium  
Support: PC  
Claws: Steel

Halogen free  
UV resistant

#### Self-extinguishing:

850° C / 30 s for insulating parts holding live parts in place  
650° C / 30 s for other parts made of insulating materials.

#### - 5.3 Electrical characteristics 2 P+E socket

Voltage: 250 V~  
Current: 16 A  
Frequency: 50/60 Hz

#### - 5.4 Electrical characteristics USB socket

Integrated surge protection

All values listed below are measured at an ambient temperature of + 25° and after 15 minutes of operation.

Connector	USB Type C
Nominal input voltage	250 V~
Nominal input frequency	50-60 Hz
Nominal input current	200 mA
Stand-by power consumption	0.07 W - 0.075 mA - 7.5 W
Nominal output voltage	5 V=
Nominal output current	1.5 A
Efficiency can meet energy star level "VI" (≥ 76% measured at USB socket output side)	
Safety standard	EN62368-1
Protection class	II - Low voltage

## 2P+E+typeC mixed socket outlet

### 5. TECHNICAL CHARACTERISTICS *(continued)*

#### Climatic characteristics

Storage temperature: - 10° C to + 70° C

Use temperature: - 5° C to + 35° C

### 6. CLEANING

Clean the surface with a cloth.

Do not use acetone, tar-removing cleaning agents or trichloroethylene.

**Caution: Always test before using special cleaning products.**

The plates must not be painted.

### 7. STANDARDS AND APPROVALS

Compliant with installation and manufacturing standards.

See e-catalogue.