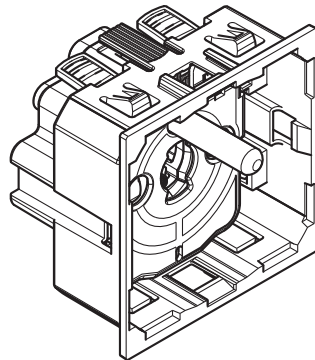


**Socket outlet 2 P + E - 16 A**



**Use**

16A-250V French - Belgian std outlet.  
Mechanism supplied without cover.

**Connection**

- **Automatic clamps**  
Terminal capacity: 2,5mm<sup>2</sup>  
Stripping length: 13mm

**Range**

| Designation                         | Item   | Related cover   |
|-------------------------------------|--------|---|
| 2p+E 16A -250V socket without cover | K4142A | <input type="checkbox"/> KW55F<br><input checked="" type="checkbox"/> KG55F<br><input type="checkbox"/> KM55F |

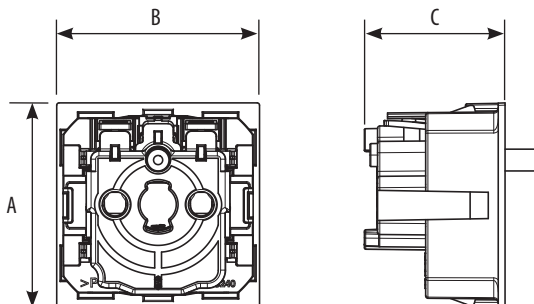
Colours code:

- White
- Black
- Sand

**Technical characteristics**

- **Protection index**  
IP: 20D considering complete installation
- **Material characteristics**  
Satin appearance.  
Material:  
Socket body: PC  
Halogen free.  
UV resistant.  
Self-extinguishing:  
850° C / 30 s for insulating parts holding live parts in place  
650° C / 30 s for other parts made of insulating materials
- **Electrical characteristics**  
Voltage: 250 VAC  
Current: 16 A
- **Climatic characteristics**  
Storage and operating temperatures: - 5° C to + 35° C

**Overall dimensions (mm)**



| A    | B    | C  |
|------|------|----|
| 45.2 | 44.7 | 31 |

**Cleaning**

Clean the surface with a cloth.  
Do not use acetone, tar-removing cleaning agents or trichloroethylene.  
**Caution: Always test before using special cleaning products.**

**Standards and approvals**

Compliance with standards of installation and manufacturing.  
Refer to e.catalogue.