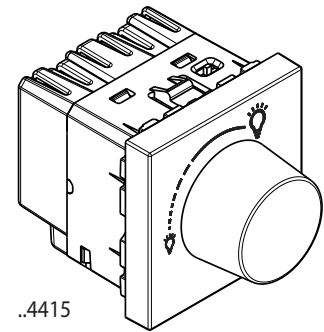
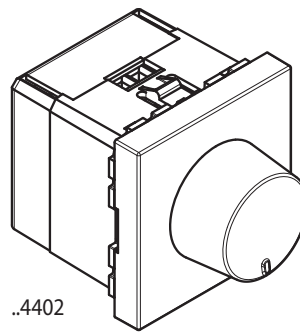
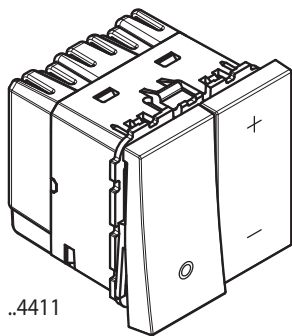


Classia
Dimmer

RW4402 - RA4402 - RG4402
RW4411 - RA4411 - RG4411
RW4415 - RG4415



Use

The dimmer can increase or reduce the light to create the right atmosphere.

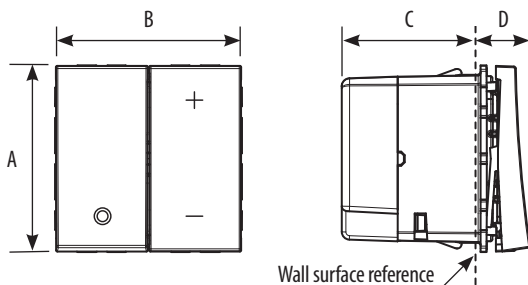
Range

Designation	Item
Universal Dimmer 2 Module	<input type="checkbox"/> RW4411
	<input checked="" type="checkbox"/> RA4411
	<input checked="" type="checkbox"/> RG4411
Rotary dimmer 40 - 400 W 2 Module	<input type="checkbox"/> RW4402
	<input checked="" type="checkbox"/> RA4402
	<input checked="" type="checkbox"/> RG4402
Rotary dimmer without neutral, 5 W to 300 W, equipped with overvoltage and shortcircuit protection. When switched on, light up at the level set before last switch-off 2 Module	<input type="checkbox"/> RW4415
	<input checked="" type="checkbox"/> RA4415
	<input checked="" type="checkbox"/> RG4415

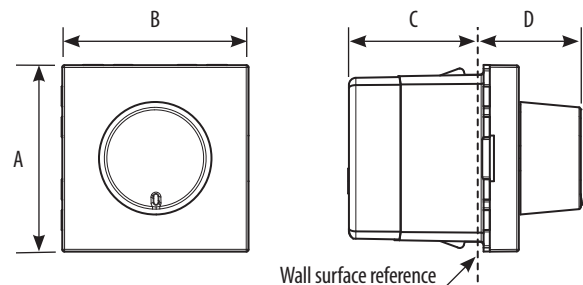
Color code:

White colour Aluminum colour Black colour

Overall dimensions (mm)



	A	B	C	D
..4411	45.1	45	32.2	13.2



	A	B	C	D
..4402	45.1	45	31.2	24.8
..4415	45.1	45	32.2	26

Connection

Terminal type: screw clamp
Terminal capacity: 2 x 2,5 mm² max
Stripping length: 8 mm
Compatible with flexible or rigid cables

Technical characteristics

- **Protection index**
(considering a complete installation, including cover plate)
Penetration by solid bodies/liquid: IP40
- **Mechanical characteristics**
Impact test: IK 04
- **Material characteristics**
Case and Key cover: PC (Polycarbonate)
Halogen free.
UV resistant.
Self-extinguishing:
850° C / 30 s for insulating parts holding live parts in place
650° C / 30 s for other parts made of insulating materials
- **Electrical characteristics**
Voltage: 100 – 240 V a.c.
Frequency: 50/60 Hz
Consumption on standby: 0.1 W

Table of admissible loads for ..4415

	R		L		C/L			C	L
			^(*) 	^(*) 			Dimmable 	Dimmable LED 	Dimmable LED
240V~ 50Hz	5...300 W		5... 300 VA		5... 300 VA	5... 200 VA	5...75 W ≤ 10 x 	5...200W ≤ 10 x 	5 75 W ≤ 10 x ...
100V~ 60Hz	5...150 W		5... 150 VA		5... 150 VA	5... 100 VA	5...37 W ≤ 10 x 	5...100W ≤ 10 x 	5 37 W ≤ 10 x

Table of admissible loads for ..4411

		R		L		C/L				
				^(*) 	^(*) 			Dimmable 		
		W		VA		VA		W		
240V~ 50Hz	Max.	400	400	400	200	400	200	75 or 10 lamps max.	75 or 10 lamps max.	
	Min.	3	3	3	3	3	3	3	3	
100V~ 60Hz	Max.	200	200	200	100	200	100	37 or 10 lamps max.	37 or 10 lamps max.	
	Min.	3	3	3	3	3	3	3	3	

Table of admissible loads for ..4402

		R		L
				^(*)
230V	Max.	400 W	400 W	400 VA
	Min.	40 W	40 W	40 VA
110V	Max.	200 W	200 W	200 VA
	Min.	20 W	20 W	20 VA

(*) Use only with transformers designed to function with electronic switches.

Do not mix different load types on the same product

- Climatic characteristics

Storage temperature: - 10° C to + 70° C

Use temperature: - 5° C to + 35° C

Cleaning

Clean the surface with a cloth.

Do not use acetone, tar-removing cleaning agents or trichloroethylene.

Caution: Always test before using special cleaning products.

Standards and approvals

Compliance with standards IEC/EN 60669-2-1.

Refer to e.catalogue.