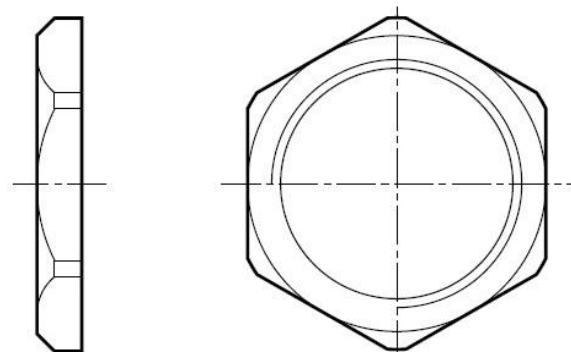


Metal locknuts

Item codes : from 386601 to 386611, from 386621 to 386638



SUMMARY

PAGES

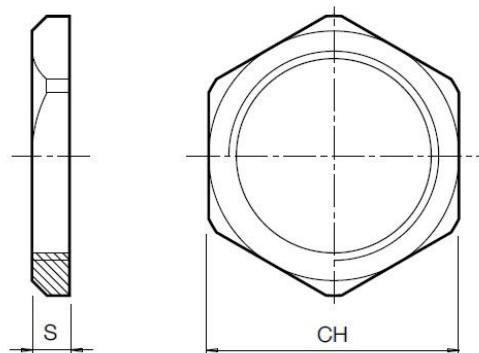
- 1. Description and applications 1
- 2. Dimensions and compatibility 1
- 3. Technical features 2
- 4. Environmental profile 2
- 5. Conformity and approvals 2

1. DESCRIPTION AND APPLICATIONS

Metal hexagonal locknut with limited overall dimensions to be used also in narrow spaces. It can be used with all types of connectors and guaranteed good mechanical and thermal performances. To assure the best sealing performances the use of gasket is recommended.

2. DIMENSIONS AND COMPATIBILITY

Dimensions and packaging:



Item GAS thread	Thread	Dimensions [mm]		Pack [pcs]
		CH	S	
386601	G1/4	15,0	3,0	50
386602	G3/8	19,0	3,0	50
386603	G1/2	24,0	3,5	50
386604	G3/4	30,0	4,0	50
386605	G1	36,0	4,0	25
386606	G1 ¼	45,0	4,5	25
386607	G1 ½	52,0	5,5	10
386608	G2	64,0	6,0	10
386609	G2 ½	85,0	10,0	5
386610	G3	100,0	14,0	5
386611	G4	125,0	15,0	5

Item Isometric thread	Thread	Dimensions [mm]		Pack [pcs]
		CH	S	
386638	M12	15,0	2,8	50
386631	M16	19,0	3,0	50
386632	M20	24,4	3,5	50
386633	M25	30,0	4,0	50
386634	M32	36,0	4,0	25
386635	M40	46,0	5,0	25
386636	M50	60,0	5,0	10
386637	M63	70,0	5,0	10

Item PG thread	Thread	Dimensions [mm]		Pack [pcs]
		CH	S	
386621	PG7	15,0	2,8	50
386622	PG9	18,0	2,8	50
386623	PG11	21,0	3,0	50
386624	PG13,5	23,0	3,0	50
386625	PG16	26,0	3,0	50
386626	PG21	32,0	3,5	50
386627	PG29	41,0	4,0	25
386628	PG36	51,0	5,0	25
386629	PG42	60,0	5,0	10
386630	PG48	64,0	5,5	10

Compatibility:

All types of connectors: 2000METAL series, TILOK series, ...
 Organic fiber gasket



3. TECHNICAL FEATURES

Raw material:

Nickel plated brass UNI EN 12164 CW 614N 2 ± 5 µm (except for items 386609, 386610, 386611 aluminum)

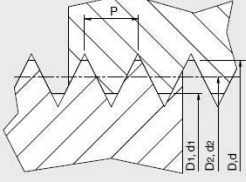
Operating temperature:

Minimum: -20° C / -4° F

Maximum: +80° C / +176° F

Thread types and dimensions:

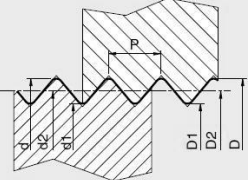
**ISO THREAD
(EN 60423)**



Dimensions in mm

Thread size	Outside thread			Inside thread			
	Pitch	Outside diam.	Medium diam.	Core diam.	Outside diam.	Medium diam.	Inside diam.
	P	d	d ₂	d ₁	D	D ₂	D ₁
M12	1,5	11,968	10,994	10,128	12	11,026	10,376
M16	1,5	15,968	14,994	14,128	16	15,026	14,376
M20	1,5	19,968	18,994	18,128	20	19,026	18,376
M25	1,5	24,968	23,994	23,128	25	24,026	23,376
M32	1,5	31,968	30,994	30,128	32	31,026	30,376
M40	1,5	39,968	38,994	38,128	40	39,026	38,376
M50	1,5	49,968	48,994	48,128	50	49,026	48,376
M63	1,5	62,968	61,994	61,128	63	62,026	61,376

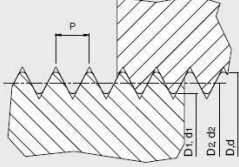
**PG THREAD
(DIN 40430)**



Dimensions in mm
1" = 25,4 mm

Thread size	Outside diam.	Medium diam.	Core diam.	Pitch	t.p.i. (threads/inch)
	d = D	d ₂ = D ₂	d ₁ = D ₁	P	z
PG 7	12,50	11,89	11,28	1,27	20
PG 9	15,20	14,53	13,86	1,41	18
PG 11	18,60	17,93	17,26	1,41	18
PG 13,5	20,40	19,73	19,06	1,41	18
PG 16	22,50	21,83	21,16	1,41	18
PG 21	28,30	27,54	26,78	1,588	16
PG 29	37,00	36,24	35,48	1,588	16
PG 36	47,00	46,24	45,48	1,588	16
PG 42	54,00	53,24	52,48	1,588	16
PG 48	59,30	58,54	57,78	1,588	16

**GAS THREAD
(UNI ISO 228)**



Dimensions in mm
1" = 25,4 mm

Thread size	Outside diam.	Medium diam.	Core diam.	Pitch	t.p.i. (threads/inch)
	d = D	d ₂ = D ₂	d ₁ = D ₁	P	z
G 1/4"	13,157	12,301	11,445	1,337	19
G 3/8"	16,662	15,806	14,950	1,337	19
G 1/2"	20,955	19,793	18,631	1,814	14
G 3/4"	26,441	25,279	24,117	1,814	14
G 1"	33,249	31,770	30,291	2,309	11
G1 1/4"	41,910	40,431	38,952	2,309	11
G1 1/2"	47,803	46,324	44,845	2,309	11
G2"	59,614	58,135	56,656	2,309	11
G2 1/2"	75,184	73,705	72,226	2,309	11
G3"	87,884	86,405	84,926	2,309	11
G4"	113,030	111,551	110,072	2,309	11
G5"	138,430	136,951	135,472	2,309	11

4. ENVIRONMENTAL PROFILE

All the items identified in this technical sheet respect in terms of concentration of substances and raw materials the European legislations about dangerous and forbidden substances and chemical preparations.

5. CONFORMITY AND APPROVALS



All the items identified in this technical sheet are compliant to all the requirements and the regulations currently in force in the European Union about safety, health and environmental issues.

For technical documentation, test reports, commercial information or any other needs please refer to the local LEGRAND office.