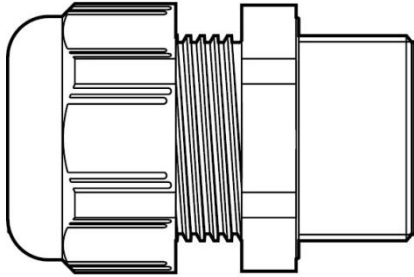


## PSP plastic cable-glands

Item codes : from 384310 to 384319, from 384330 to 384339, from 384350 to 384359, from 384369 to 384376, from 384379 to 384386, from 384389 to 384396



### SUMMARY

### PAGES

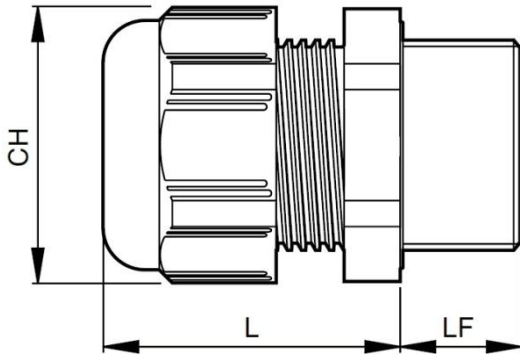
- 1. Description and applications ..... 1
- 2. Dimensions and compatibility ..... 1
- 3. Technical features ..... 2
- 4. Environmental profile ..... 4
- 5. Conformity and approvals ..... 4

## 1. DESCRIPTION AND APPLICATIONS

Polyamide cable-gland with mechanical tightening and anti-vibration locking, equipped with internal gasket to ensure a protection index IP68. The locking system, made by flexible reeds, guarantees a good resistance to loads, traction and torque in all conditions. It's the ideal solution in most environments and applications and it ensures good mechanical and thermal performances and a easy and fast use.

## 2. DIMENSIONS AND COMPATIBILITY

Dimensions and packaging:



Item GREY RAL7001	Thread	Dimensions [mm]			Pack [pcs]
		Lf	CH	L	
384369	M12	10,0	15,0	22,0	50
384370	M16	10,0	19,0	26,0	50
384371	M20	12,0	24,0	29,0	50
384372	M25	15,0	33,0	35,0	35
384373	M32	15,0	42,0	40,0	20
384374	M40	17,0	53,0	49,0	10
384375	M50	17,0	60,0	54,0	5
384376	M63	18,0	68,0	54,0	5

Item BLACK RAL9001	Thread	Dimensions [mm]			Pack [pcs]
		Lf	CH	L	
384379	M12	10,0	15,0	22,0	50
384380	M16	10,0	19,0	26,0	50
384381	M20	12,0	24,0	29,0	50
384382	M25	15,0	33,0	35,0	35
384383	M32	15,0	42,0	40,0	20
384384	M40	17,0	53,0	49,0	10
384385	M50	17,0	60,0	54,0	5
384386	M63	18,0	68,0	54,0	5

Item GREY RAL7035	Thread	Dimensions [mm]			Pack [pcs]
		Lf	CH	L	
384389	M12	10,0	15,0	22,0	50
384390	M16	10,0	19,0	26,0	50
384391	M20	12,0	24,0	29,0	50
384392	M25	15,0	33,0	35,0	35
384393	M32	15,0	42,0	40,0	20
384394	M40	17,0	53,0	49,0	10
384395	M50	17,0	60,0	54,0	5
384396	M63	18,0	68,0	54,0	5

Item GREY RAL7001	Thread	Dimensions [mm]			Pack [pcs]
		Lf	CH	L	
384310	PG7	10,0	15,0	22,0	50
384311	PG9	10,0	19,0	26,0	50
384312	PG11	12,0	22,0	27,0	50
384313	PG13,5	12,0	24,0	29,0	50
384314	PG16	13,0	27,0	30,0	50
384315	PG21	15,0	33,0	35,0	35
384316	PG29	15,0	42,0	40,0	20
384317	PG36	17,0	53,0	49,0	10
384318	PG42	17,0	60,0	54,0	5
384319	PG48	18,0	68,0	54,0	5

# PSP plastic cable-glands

Item codes : from 384310 to 384319, from 384330 to 384339, from 384350 to 384359, from 384369 to 384376, from 384379 to 384386, from 384389 to 384396

Item BLACK RAL9001	Thread	Dimensions [mm]			Pack [pcs]
		Lf	CH	L	
384330	PG7	10,0	15,0	22,0	50
384331	PG9	10,0	19,0	26,0	50
384332	PG11	12,0	22,0	27,0	50
384333	PG13,5	12,0	24,0	29,0	50
384334	PG16	13,0	27,0	30,0	50
384335	PG21	15,0	33,0	35,0	35
384336	PG29	15,0	42,0	40,0	20
384337	PG36	17,0	53,0	49,0	10
384338	PG42	17,0	60,0	54,0	5
384339	PG48	18,0	68,0	54,0	5

Item GREY RAL7035	Thread	Dimensions [mm]			Pack [pcs]
		Lf	CH	L	
384350	PG7	10,0	15,0	22,0	50
384351	PG9	10,0	19,0	26,0	50
384352	PG11	12,0	22,0	27,0	50
384353	PG13,5	12,0	24,0	29,0	50
384354	PG16	13,0	27,0	30,0	50
384355	PG21	15,0	33,0	35,0	35
384356	PG29	15,0	42,0	40,0	20
384357	PG36	17,0	53,0	49,0	10
384358	PG42	17,0	60,0	54,0	5
384359	PG48	18,0	68,0	54,0	5

### 3. TECHNICAL FEATURES

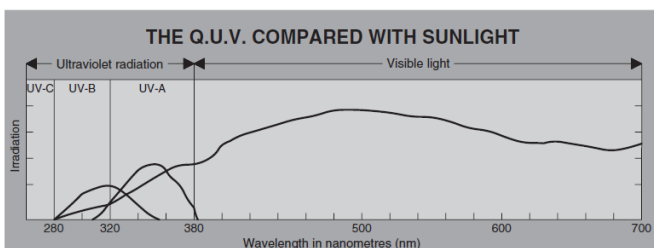
#### Raw material:

Body and nut: polyamide PA6.6 [UL94-V2] halogen free and flame retardant.

Gasket: thermosetting elastomeric.

#### Resistance to UV rays:

Represents the resistance to the degradation of mechanical performance caused by exposure to UV radiation contained in sunlight. All RTA systems have been subjected to the Q.U.V. test which, with exposure cycles of 4+4 hours, simulates the continued alternation of light and condensation. The PSP cable-glands series are not recommended for long exposition to UV radiation even if they have a good resistance to UV rays: all PSP cable-glands are indicated for internal uses or covered uses.



#### Operating temperature:

Minimum: -20° C / -4° F

Maximum: +80° C / +176° F

#### Heat resistance:

Glow wire test: 960° C / 1760° F

#### Self-extinguishing:

Does not propagate flames in according to IEC 61386.

#### IP protection index:

IP68

1 <sup>st</sup> digit IP		2 <sup>nd</sup> digit IP	
Protection against the ingress of solid bodies		Protection against the ingress of liquids	
0	No protection	2	Protection against drops of water falling at up to 15° from the vertical
1	Protection against solid bodies larger than 50 mm (e.g.: accidental contact)	3	Protection against drops of rain water at up to 60° from the vertical
2	Protection against solid bodies larger than 12 mm (e.g.: finger)	4	Protection against sprays of water from all directions
3	Protection against solid bodies larger than 2.5 mm	5	Protection against jets of water from all directions
4	Protection against solid bodies larger than 1 mm	6	Protection against jets of water of similar force to heavy seas
5	Protection against dust	7	Protection against the effects of immersion
6	Complete protection against dust	8	Protection against prolonged effects of immersion under pressure

#### Loads for tensile strength:

Test of cables anchorage: A type.

Chart 1: Loads for traction test (European Standard EN50262)

Cable anchorage Type A Load N	Cable diameter mm								
	Up to 4	4 - 8	8 - 11	11 - 16	16 - 23	23 - 31	31 - 43	43 - 65	Up to 65
	-	30	42	55	70	80	90	100	115

#### Energy for impacts:

Test of energy for impacts.

Chart 2: Energy for impact test (European Standard EN50262)

Category	1	2	3	4	5	6	7	8
Energy [J]	0,2	0,5	1	2	4	7	10	20

#### Mechanical characteristics:

Cables compatibility, torque value and shock resistance.

Item GREY RAL7001	Cables diameter [mm]		Torque [Nm]		Shock resist. Cat.
	Min	Max	Nut	Body	
384369	3,5	6,5	1,8	1,2	4
384370	4,0	8,0	4,2	3,0	4
384371	6,0	12,0	6,0	3,5	4
384372	13,0	17,0	9,0	5,5	5
384373	18,0	25,0	14,0	5,5	5
384374	22,0	32,0	15,3	11,5	6
384375	30,0	35,0	15,3	11,5	6
384376	35,0	44,0	15,3	11,5	6

# PSP plastic cable-glands

Item codes : from 384310 to 384319, from 384330 to 384339, from 384350 to 384359, from 384369 to 384376, from 384379 to 384386, from 384389 to 384396

Item BLACK RAL9001	Cables diameter [mm]		Torque [Nm]		Shock resist. Cat.
	Min	Max	Nut	Body	
384379	3,5	6,5	1,8	1,2	4
384380	4,0	8,0	4,2	3,0	4
384381	6,0	12,0	6,0	3,5	4
384382	13,0	17,0	9,0	5,5	5
384383	18,0	25,0	14,0	5,5	5
384384	22,0	32,0	15,3	11,5	6
384385	30,0	35,0	15,3	11,5	6
384386	35,0	44,0	15,3	11,5	6

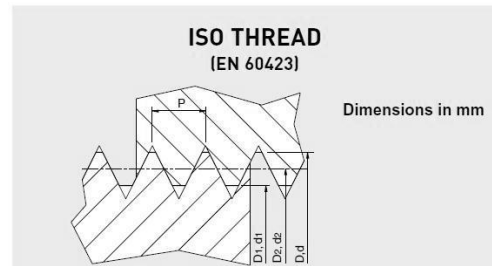
Item GREY RAL7035	Cables diameter [mm]		Torque [Nm]		Shock resist. Cat.
	Min	Max	Nut	Body	
384389	3,5	6,5	1,8	1,2	4
384390	4,0	8,0	4,2	3,0	4
384391	6,0	12,0	6,0	3,5	4
384392	13,0	17,0	9,0	5,5	5
384393	18,0	25,0	14,0	5,5	5
384394	22,0	32,0	15,3	11,5	6
384395	30,0	35,0	15,3	11,5	6
384396	35,0	44,0	15,3	11,5	6

Item GREY RAL7001	Cables diameter [mm]		Torque [Nm]		Shock resist. Cat.
	Min	Max	Nut	Body	
384310	4,0	6,0	1,8	1,2	4
384311	4,0	8,0	4,2	2,5	4
384312	5,0	10,0	5,5	4,5	4
384313	6,0	12,0	6,0	5,0	4
384314	10,0	13,0	6,0	5,5	5
384315	13,0	17,0	9,0	7,0	5
384316	18,0	25,0	14,0	10,0	5
384317	22,0	32,0	15,3	11,5	6
384318	30,0	35,0	15,3	11,5	6
384319	35,0	44,0	15,3	11,5	6

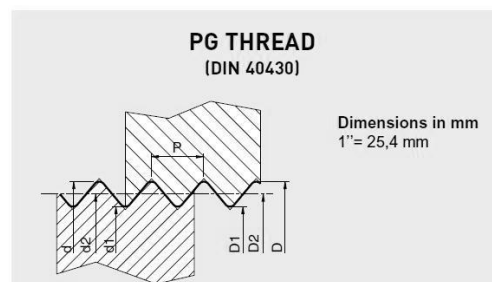
Item BLACK RAL9001	Cables diameter [mm]		Torque [Nm]		Shock resist. Cat.
	Min	Max	Nut	Body	
384330	4,0	6,0	1,8	1,2	4
384331	4,0	8,0	4,2	2,5	4
384332	5,0	10,0	5,5	4,5	4
384333	6,0	12,0	6,0	5,0	4
384334	10,0	13,0	6,0	5,5	5
384335	13,0	17,0	9,0	7,0	5
384336	18,0	25,0	14,0	10,0	5
384337	22,0	32,0	15,3	11,5	6
384338	30,0	35,0	15,3	11,5	6
384339	35,0	44,0	15,3	11,5	6

Item GREY RAL7035	Cables diameter [mm]		Torque [Nm]		Shock resist. Cat.
	Min	Max	Nut	Body	
384350	4,0	6,0	1,8	1,2	4
384351	4,0	8,0	4,2	2,5	4
384352	5,0	10,0	5,5	4,5	4
384353	6,0	12,0	6,0	5,0	4
384354	10,0	13,0	6,0	5,5	5
384355	13,0	17,0	9,0	7,0	5
384356	18,0	25,0	14,0	10,0	5
384357	22,0	32,0	15,3	11,5	6
384358	30,0	35,0	15,3	11,5	6
384359	35,0	44,0	15,3	11,5	6

## Thread types and dimensions:



Thread size	Pitch P	Outside thread			Inside thread		
		Outside diam. d	Medium diam. d <sub>2</sub>	Core diam. d <sub>1</sub>	Outside diam. D	Medium diam. D <sub>2</sub>	Inside diam. D <sub>1</sub>
M12	1,5	11,968	10,994	10,128	12	11,026	10,376
M16	1,5	15,968	14,994	14,128	16	15,026	14,376
M20	1,5	19,968	18,994	18,128	20	19,026	18,376
M25	1,5	24,968	23,994	23,128	25	24,026	23,376
M32	1,5	31,968	30,994	30,128	32	31,026	30,376
M40	1,5	39,968	38,994	38,128	40	39,026	38,376
M50	1,5	49,968	48,994	48,128	50	49,026	48,376
M63	1,5	62,968	61,994	61,128	63	62,026	61,376



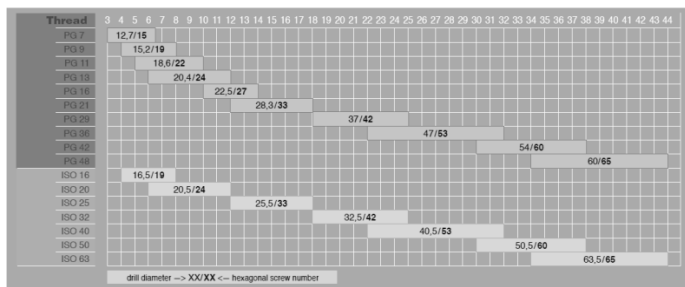
Thread size	Outside diam. d = D	Medium diam. d <sub>2</sub> = D <sub>2</sub>	Core diam. d <sub>1</sub> = D <sub>1</sub>	Pitch P	t.p.l. (threads/inch)
					z
PG 7	12,50	11,89	11,28	1,27	20
PG 9	15,20	14,53	13,86	1,41	18
PG 11	18,60	17,93	17,26	1,41	18
PG 13,5	20,40	19,73	19,06	1,41	18
PG 16	22,50	21,83	21,16	1,41	18
PG 21	28,30	27,54	26,78	1,588	16
PG 29	37,00	36,24	35,48	1,588	16
PG 36	47,00	46,24	45,48	1,588	16
PG 42	54,00	53,24	52,48	1,588	16
PG 48	59,30	58,54	57,78	1,588	16

# PSP plastic cable-glands

Item codes : from 384310 to 384319, from 384330 to 384339, from 384350 to 384359, from 384369 to 384376, from 384379 to 384386, from 384389 to 384396

### Comparative chart of thread dimensions:

Comparative table for the threads of PSP range: the two threads (Isometric and PG) allows the same sealing capabilities and could be used with the same cable dimensions.



## 4. ENVIRONMENTAL PROFILE

All the items identified in this technical sheet respect in terms of concentration of substances and raw materials the European legislations about dangerous and forbidden substances and chemical preparations.



All items identified in this technical sheet are constituted by raw materials completely recyclable.

## 5. CONFORMITY AND APPROVALS



All the items identified in this technical sheet are compliant to all the requirements and the regulations currently in force in the European Union about safety, health and environmental issues.



IMQ mark: items from 384369 to 384376, items from 384379 to 384386, items from 384389 to 384396



VDE mark: items from 384369 to 384376, items from 384379 to 384386, items from 384389 to 384396

For technical documentation, test reports, commercial information or any other needs please refer to the local LEGRAND office.