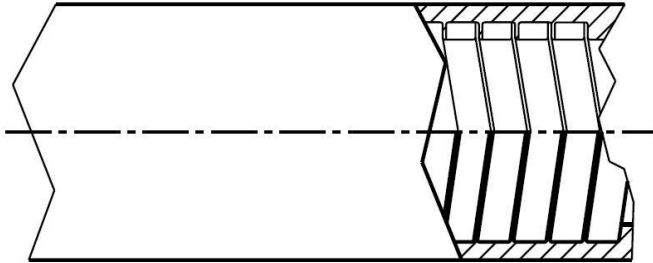


LA flexible conduits

Item codes : from 387530 to 387539



SUMMARY

PAGES

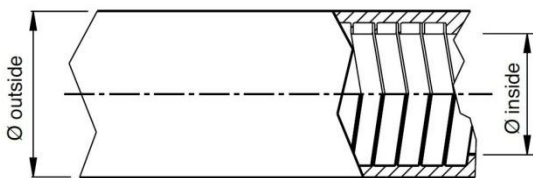
1. Description and applications	1
2. Dimensions and compatibility	1
3. Technical features	1
4. Environmental profile	2
5. Conformity and approvals	2

1. DESCRIPTION AND APPLICATIONS

Galvanized steel flexible conduit with single hemming structure (NW 12÷35) or double hemming structure (NW 40÷102), covered with FLEXIBOND (patented plain PVC). The double hemming structure included a copper wire inside the coils. Suitable for static or dynamic applications it ensures the protection of cable and guarantees good flexibility, high mechanical and thermal performances and high resistance to steam or liquids. It's the appropriate solution for energy, signal or power distribution in most environments.

2. DIMENSIONS AND COMPATIBILITY

Dimensions and packaging:

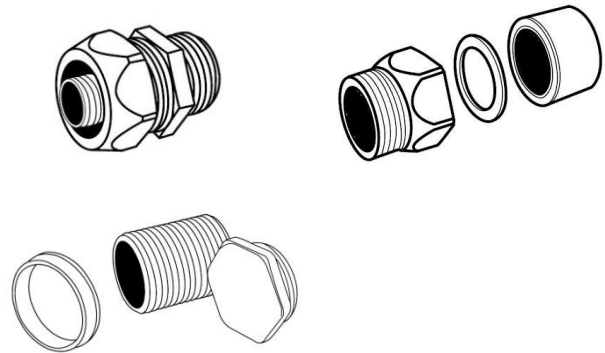


Item GREY	Nominal diameter	Internal diameter [mm]	External diameter [mm]	Curvature radius* [mm]	Pack [m]
387530	12	12,5	18,0	100	60,96
387531	16	16,0	21,0	160	60,96
387532	21	21,0	26,5	210	45,72
387533	27	26,7	33,5	270	30,48
387534	35	35,4	42,0	350	15,24
387535	40	40,3	48,0	400	15,24
387536	51	51,6	60,0	510	15,24
387537	63	63,3	73,0	630	7,62
387538	77	78,3	89,0	**	7,62
387539	102	102,0	113,0	**	7,62

* Approximate value: for more information contact Legrand technical offices
 ** Very difficult to bend

Compatibility:

Connectors, fittings and accessories 200METAL series, kit SILOK, metal accessories and equipments.



3. TECHNICAL FEATURES

Raw material:

Hot-dip galvanized steel (Fe P01-P02) flexible conduit covered with patented plain PVC (FLEXIBOND).

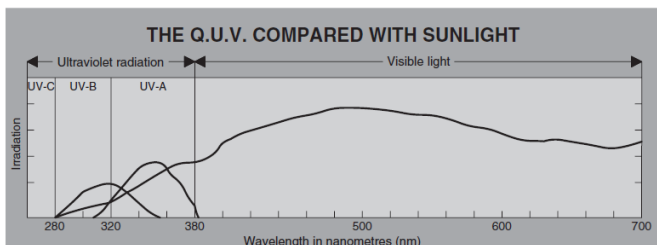
IEC 61386 classification***:

n. p.		n. p.		3	2
1st figure		2nd figure		3rd figure	4th figure
Resistance to compression	Resistance to shock	Maximum installation and normal use temperature	Minimum transport, installation and normal use temperature		
1 = very slight 2 = slight 3 = medium 4 = strong 5 = very strong	125 N 320 N 750 N 1250 N 4000 N	1 = very slight 2 = slight 3 = medium 4 = strong 5 = very strong	0.5 J 1 J 2 J 6 J 20 J	1 = +5 °C 2 = -5 °C 3 = -15 °C 4 = -25 °C 5 = -45 °C	1 = +60 °C 2 = +90 °C 3 = +105 °C 4 = +120 °C 5 = +150 °C 6 = +250 °C 7 = +400 °C

*** corresponding IEC values compared to the reference regulation (UL)

Resistance to UV rays:

Represents the resistance to the degradation of mechanical performance caused by exposure to UV radiation contained in sunlight. All RTA conduit systems have been subjected to the Q.U.V. test which, with exposure cycles of 4+4 hours, simulates the continued alternation of light and condensation. The conduits of LGP series are not recommended for long exposition to UV radiation even if they have a good resistance to UV rays: all LA conduits are indicated for internal uses or covered uses.



Resistance to chemical agents:

Represents the resistance to chemicals or external agents. The used test method consist of: immersion of the items under test in the chemical substance for 24 hours; once they were dried and conditioned at a constant temperature for other 24 hours, they were checked with the following examinations:

- Visual inspection to check the integrity
- Mechanical bending test
- Mechanical compression test
- IP protection test

Industrial chemical agents	Resistance*
Unleaded petrol	●
Industrial detergent	●
Diesel fuel	●
Lubricant oil	●
Emulsifier solution	●
Washing solvent	●

* resistances to chemicals are indicative. For any specific application or environment please contact Legrand technical offices

- Good resistance
- Medium resistance
- No resistance

Operating temperature:

Minimum: -20° C / -4° F

Maximum: +60° C / +140° F (+90° C / +194° F for short times)

Self-extinguishing:

Does not propagate flames in according to UL360.

Electric properties:

Electric continuity guaranteed.

IP protection index:

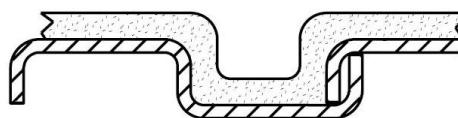
IP65 with 2000METAL series connectors.

1 st digit IP	
Protection against the ingress of solid bodies	
0	No protection
1	Protection against solid bodies larger than 50 mm (e.g.: accidental contact)
2	Protection against solid bodies larger than 12 mm (e.g.: finger)
3	Protection against solid bodies larger than 2.5 mm
4	Protection against solid bodies larger than 1 mm
5	Protection against dust
6	Complete protection against dust

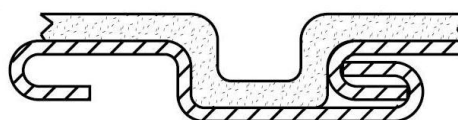
2 nd digit IP	
Protection against the ingress of liquids	
2	Protection against drops of water falling at up to 15° from the vertical
3	Protection against drops of rain water at up to 60° from the vertical
4	Protection against sprays of water from all directions
5	Protection against jets of water from all directions
6	Protection against jets of water of similar force to heavy seas
7	Protection against the effects of immersion
8	Protection against prolonged effects of immersion under pressure

Conduit structure:

Single hemming structure for NW 12÷35.



Double hemming structure for NW 40÷102.



4. ENVIRONMENTAL PROFILE

All the items identified in this technical sheet respect in terms of concentration of substances and raw materials the European legislations about dangerous and forbidden substances and chemical preparations.

5. CONFORMITY AND APPROVALS



All the items identified in this technical sheet are compliant to all the requirements and the regulations currently in force in the European Union about safety, health and environmental issues.



UL Listed mark: items from 387990 to 387997.



CSA Listed mark: items from 387990 to 387997.

For technical documentation, test reports, commercial information or any other needs please refer to the local LEGRAND office.