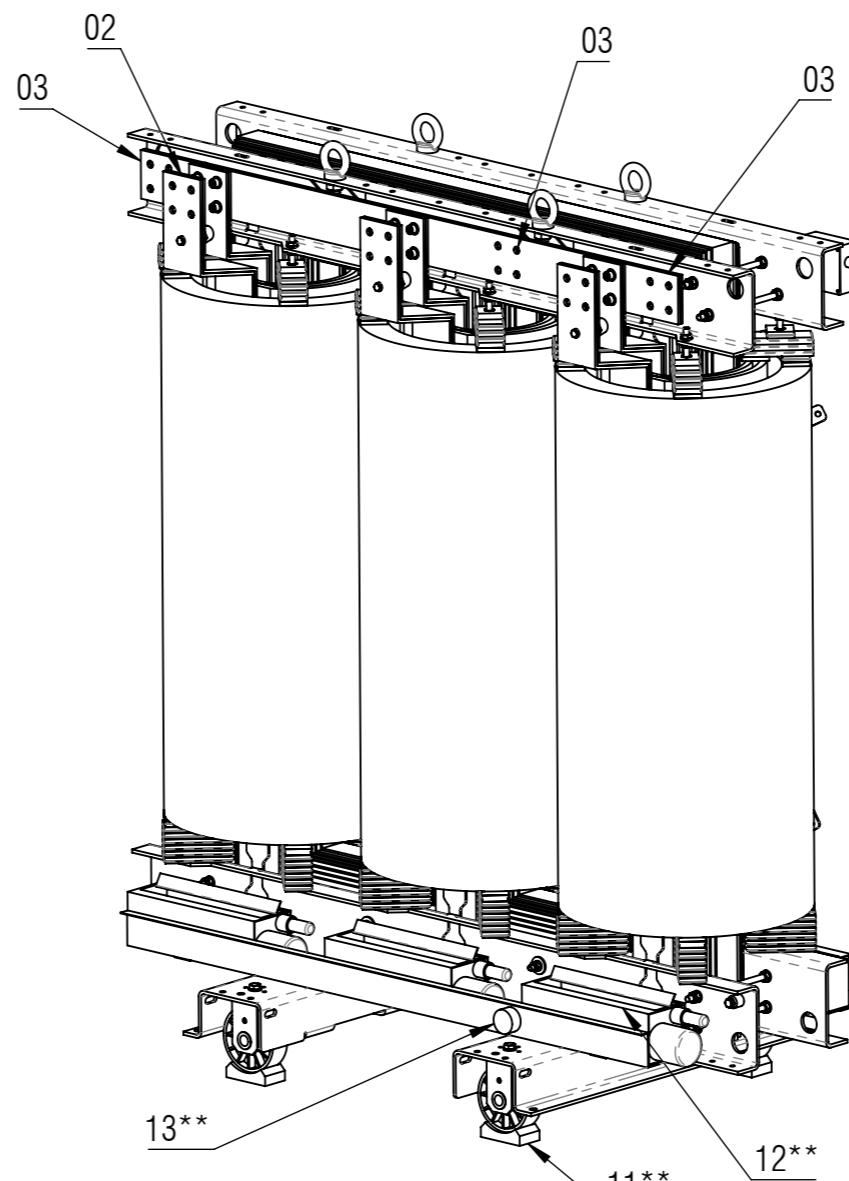
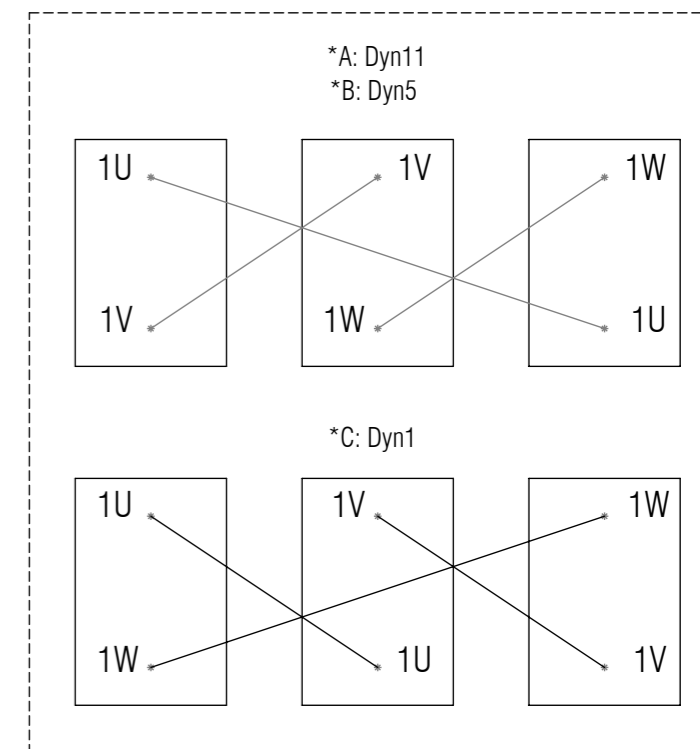


HV SIDE



LV SIDE

Ref.	RATED VOLTAGE RATIO	kg
HN4AIAGB*	20000 ± 2 x 2.5% / 400	4850
HN4AIAGP*	20000 ± 2 x 2.5% / 410	4700
HN4AIAGD*	20000 ± 2 x 2.5% / 420	4800
HN4AIAWB*	21000 ± 2 x 2.5% / 400	4800
HN4AIAWD*	21000 ± 2 x 2.5% / 420	4900
HN4IAKB*	22000 ± 2 x 2.5% / 400	4950
HN4IAKD*	22000 ± 2 x 2.5% / 420	4980
HN4IAHB*	23000 ± 2 x 2.5% / 400	4950



ITEM	DESCRIZIONE (IT)	DESCRIPTION (EN)	DESCRIPTION (FR)	BESCHREIBUNG (DE)	DESCRIPCION (ES)	DESCRIPTION (PL)
01	TERMINALI MT ALLUMINIO (1U-1V-1W)	HV TERMINALS ALUMINIUM (1U-1V-1W)	BORNES MT ALUMINIUM (1U-1V-1W)	OS ANSCHLÜSSE ALUMINIUM (1U-1V-1W)	TERMINALES MT ALUMINIO (1U-1V-1W)	ZACISKI SN ALUMINIOWE (1U-1V-1W)
02	TERMINALI BT ALLUMINIO (2U-2V-2W)	LV TERMINALS ALUMINIUM (2U-2V-2W)	BORNES BT ALUMINIUM (2U-2V-2W)	US ANSCHLÜSSE ALUMINIUM (2U-2V-2W)	TERMINALES BT ALUMINIO (2U-2V-2W)	ZACISKI NN ALUMINIOWE (2U-2V-2W)
03	TERMINALI DI NEUTRO BT (2N)	LV NEUTRAL POINT TERMINALS (2N)	BORNES DE NEUTRE BT (2N)	US ANSCHLUSS NEUTRALLEITER (2N)	TERMINALES DE NEUTRO BT (2N)	ZACISK NN NEUTRALNY (2N)
04	TARGA DATI NOMINALI	RATING PLATE	PLAQUE SIGNALÉTIQUE	LEISTUNGSSCHILD	PLACA DE CARACTERÍSTICAS	TABLICZKA ZNAMIONOWA
05	CASSETTA AUSILIARI SONDE	AUXILIARY CIRCUIT BOX	BOÎTE AUXILIAIRES	ANSCHLUSSKASTEN TEMPERATURFÜHLER	CAJA AUXILIAR	SKRZYŃKA Z ZACISKAMI CZUJNIKÓW TEMP.
06	ANELLI DI SOLLEVAMENTO	LIFTING EYES	ANNEAUX DE LEVAGE	HEBEÖSEN	GANCHOS DE ELEVACIÓN	UCHWYTY DO PODNOSZENIA
07	PRESE DI REGOLAZIONE TENSIONE A VUOTO	OFF-CIRCUIT VOLTAGE REGULATION	BORNIER DE COMMUTATION	SCHALTFLASCHEN	CAJA DE REGULACIÓN TENSIONES EN VACIO	ZWORY REGULACJI NAPIĘCIA
08	RUOTE ORIENTABILI	BI-DIRECTIONAL WHEELS	ROUES ORIENTABLES	TRANSPORTROLLEN	RODILLAS DE RADAMIENTO BI-DIRECCIONAL	KÓŁKA DWUKIERUNKOWE
09	TERMINALI DI TERRA M12	EARTHING TERMINALS M12	BORNE DE TERRE M12	ERDUNGSANSCHLÜSSE M12	BORNE DE TIERRA M12	ZACISK DO UZIEMIENIA M12
10	FORI DI TRAINO	PULLING HOLES	TROUS POUR TRACTION	ZUGÖSEN	ORIFICIOS PARA ARRASTRE	OTWORY TRANSPORTOWE
11**	SUPPORTI ANTIVIBRANTI	ANTIVIBRATION PADS	ANTIVIBRATOIRES	SCHWINGUNGSDÄMPFER	AMORTIGUADORES	PODKŁADKI ANTYWIBRACYJNE
12**	SISTEMA DI VENTILAZIONE	COOLING FANS	VENTILATEURS	QUERSTROMLÜFTER	VENTILADORES	ZESTAW WENTYLATORÓW
13**	CASSETTA AUSILIARI VENTILATORI	AUXILIARY CIRCUIT BOX FANS	BOÎTE AUXILIAIRES POUR VENTILATEURS	ANSCHLUSSKASTEN QUERSTROMLÜFTER	CAJA AUXILIAR PARA VENTILADORES	SKRZYŃKA Z ZACISKAMI WENTYLATORÓW

\*\* => OPTIONAL

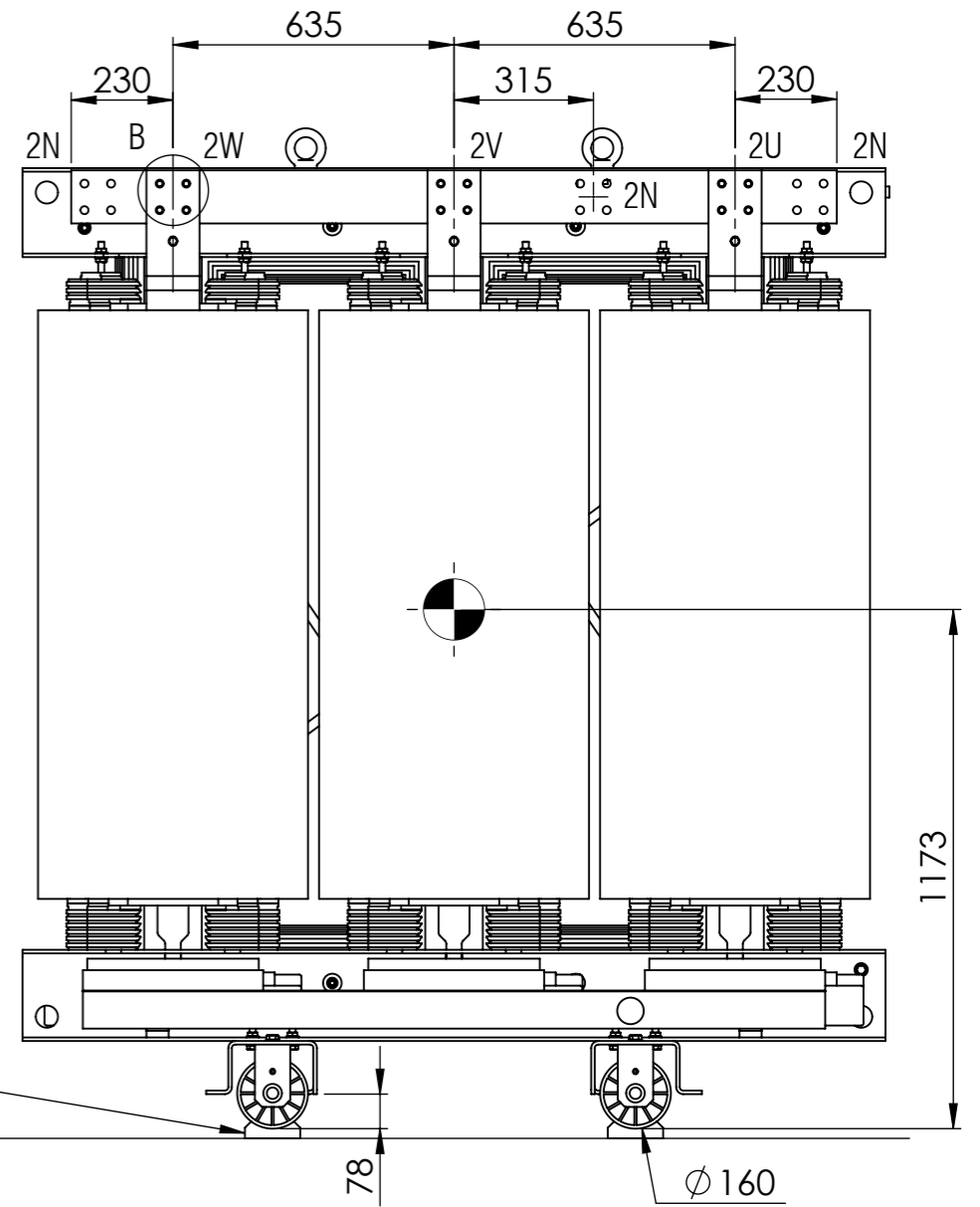
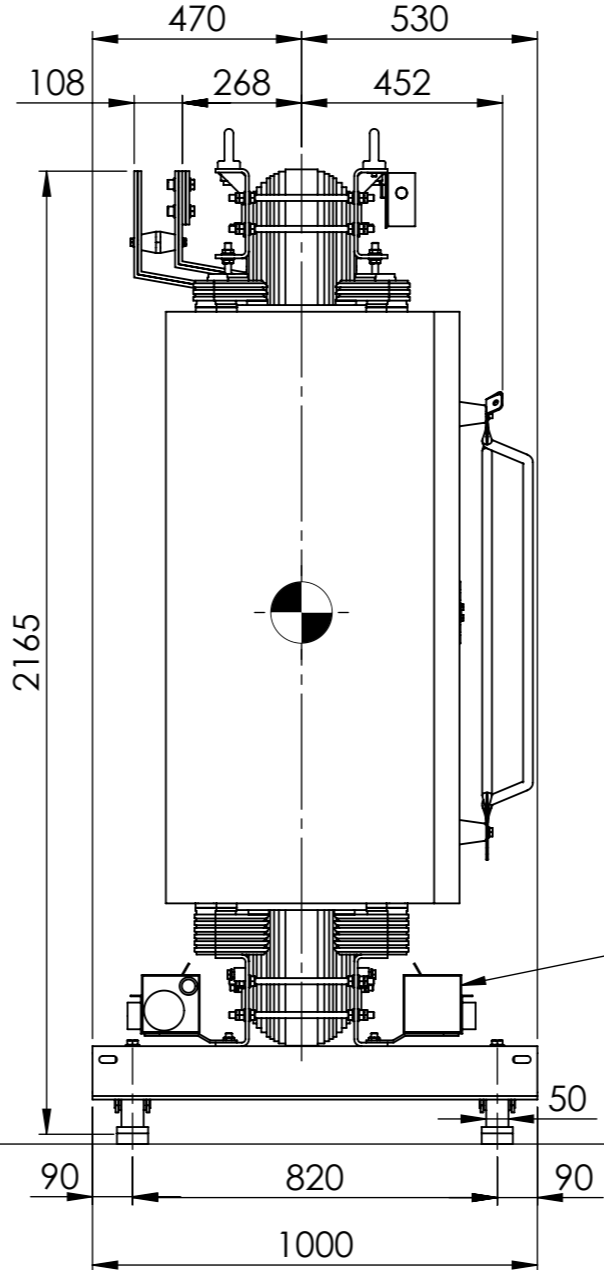
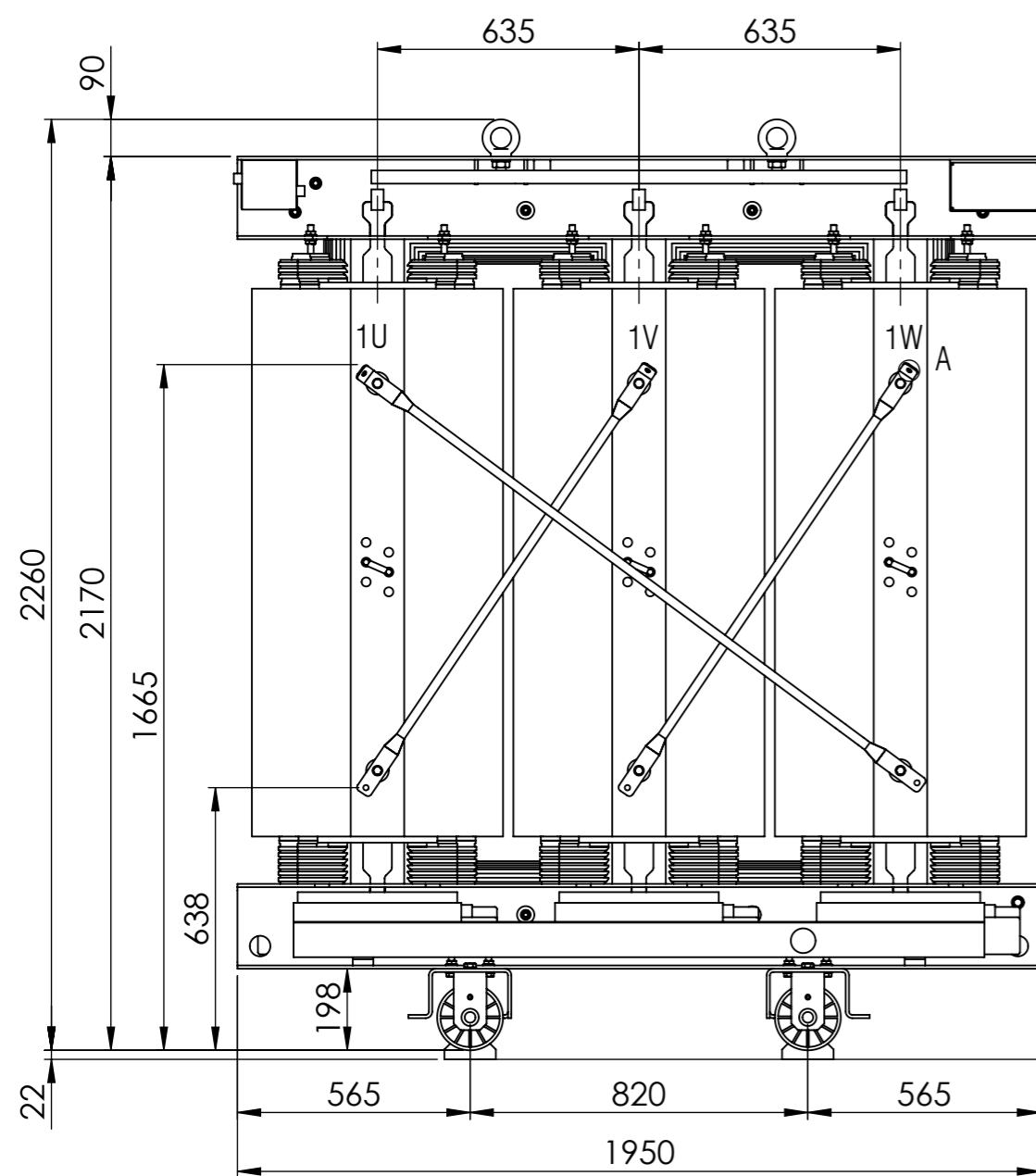
	03				
	02				
	01				
	00	Emissione / Issue	30/11/2020	Campitelli	Fantozzi
	Rev	Modifica / Modification	Data / Date	Dis. / Drawn	Contr. / Checked
Massa in kg A3 Dim. in mm	Scala 1:18	Riproduzione vietata. Tutti i diritti sono riservati. / All rights reserved.			

**bticino**  
A Group Brand | **legrand**

Bticino Spa  
Via Enzo Ferrari, 64020  
Castellalto (TE) - Italy

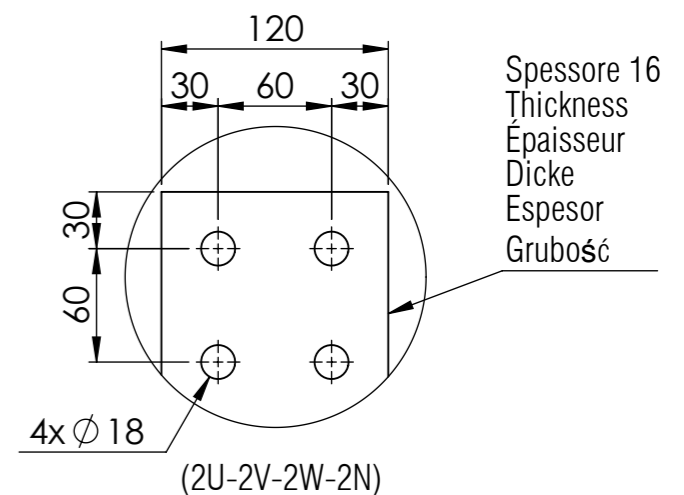
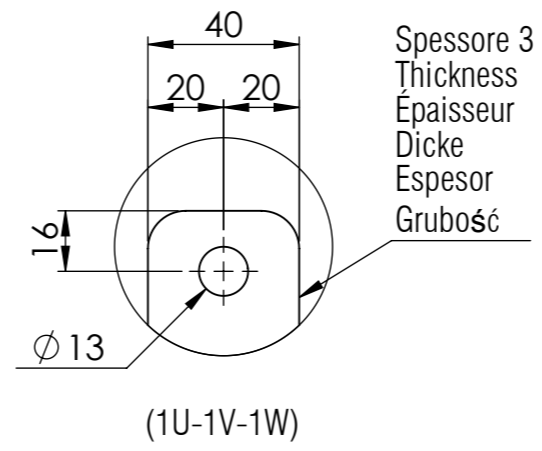
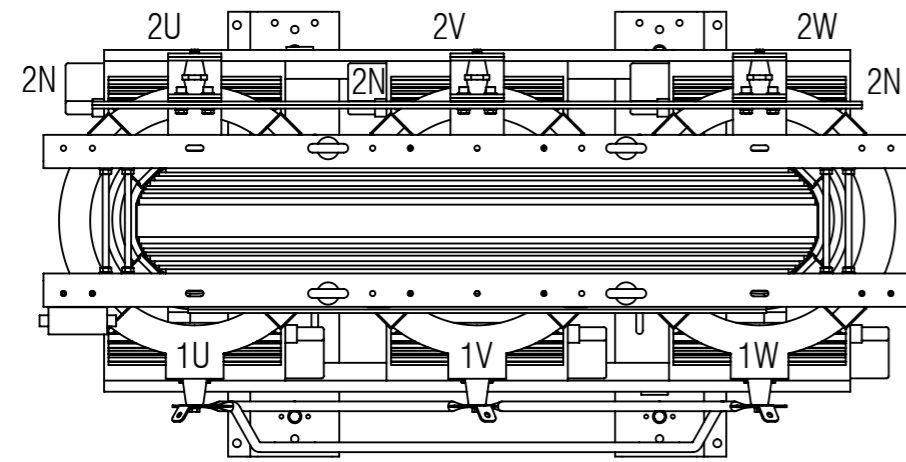
Tipo Disegno / Drawing Type  
INGOMBRO / OUTLINE DIMENSIONS  
ENCOMBREMMENT / ABMESSUNGEN  
PLANO GENERAL / WYMIARY

Ref.	IP00	IP RAL	Numero Disegno / Drawing N°	Foglio/Sheet
Potenza Rating	2000	(kVA)	50 (Hz)	1
Tensioni Voltages		(V)	Gruppo Group	di/of 4
GENERAL TOLERANCES + / - 20mm				



Dettaglio / Detail / Détail / Detail / Detalle / Szczegół A  
 Terminali MT / HV Terminals / Bornes HT /  
 OS Anschlüsse / Terminales MT / Zaciski SN

Dettaglio / Detail / Détail / Detail / Detalle / Szczegół B  
 Terminali BT / LV Terminals / Bornes BT /  
 US Anschlüsse / Terminales BT / Zaciski NN



\*\* => OPTIONAL

	03				
	02				
	01				
	00	Emissione / Issue	30/11/2020	Campitelli	Fantozzi
Massa in kg A3 Dim. in mm	Scala 1:17	Rev	Modifica / Modification	Data / Date	Dis. / Drawn
Riproduzione vietata. Tutti i diritti sono riservati. / All rights reserved.					

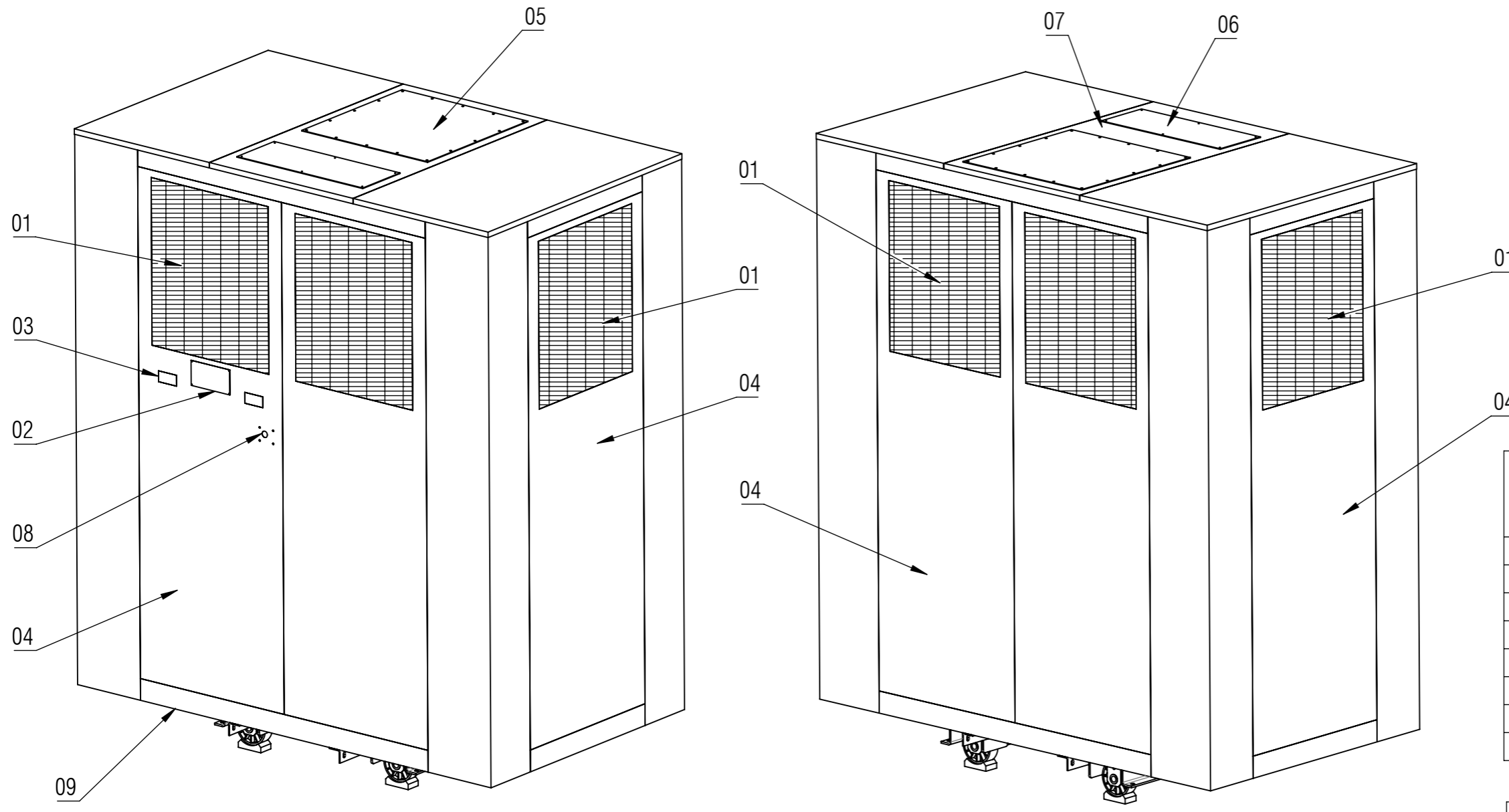
**bticino**  
 A Group Brand | **legrand**

Bticino Spa  
 Via Enzo Ferrari, 64020  
 Castellalto (TE) - Italy

Tipo Disegno / Drawing Type  
**INGOMBRO / OUTLINE DIMENSIONS**  
**ENCOMBREMENT / ABMESSUNGEN**  
**PLANO GENERAL / WYMIARY**

Ref.	IP00	IP RAL	Numero Disegno / Drawing N°
Potenza Rating	2000	(kVA) Freq. 50 (Hz)	<b>IN_HN4AIA</b>
Tensioni Voltages		(V) Gruppo Group	

Foglio/Sheet	2
di/of	4
GENERAL TOLERANCES +/- 20mm	



HV SIDE

LV SIDE

Ref.	RATED VOLTAGE RATIO	IP31/23
HN4AIAGB*	20000 ± 2 x 2.5% / 400	5120/5140
HN4AIAGP*	20000 ± 2 x 2.5% / 410	4970/4990
HN4AIAGD*	20000 ± 2 x 2.5% / 420	5070/5090
HN4AIAWB*	21000 ± 2 x 2.5% / 400	5070/5090
HN4AIAWD*	21000 ± 2 x 2.5% / 420	5170/5190
HN4AIAKB*	22000 ± 2 x 2.5% / 400	5220/5240
HN4AIAKD*	22000 ± 2 x 2.5% / 420	5250/5270
HN4AIAHB*	23000 ± 2 x 2.5% / 400	5220/5240

Ref.	IP	RAL	
BX31H4	31	7035	270
BX23H4	23	7035	290

ITEM	DESCRIZIONE (IT)	DESCRIPTION (EN)	DESCRIPTION (FR)	BESCHREIBUNG (DE)	DESCRIPCION (ES)	DESCRIPTION (PL)
01	GRIGLIE D'AREAIONE	AIR GRATE	GRILLE D'AERATION	BELÜFTUNGSKIEMEN	REJILLA DE VENTILACIÓN	KRATKA WENTYLACYJNA
02	TARGA DATI NOMINALI	RATING PLATE	PLAQUE SIGNALÉTIQUE	LEISTUNGSSCHILD	PLACA DE CARACTERÍSTICAS	TABLICZKA ZNAMIONOWA
03	MANIGLIE PER RIMOZIONE PANNELLO	HANDLE FOR REMOVAL PANEL	POIGNEES SUR LES PANNEAUX	HANDGRIFFE FÜR ABNEHMBARE ABDECKUNGEN	MANILLAS PARA APERTURA DEL PANEL	UCHWYTY DO DEMONTAŻU PANELU
04	PANNELLI ASPORTABILI	REMOVABLE PANELS	PANNEAUX AMOVIBLES	ABNEHMBARE ABDECKUNGEN	PANELES EXTRAIBLES	PANEL ZDEJMOWANY
05	PIASTRA AMAGNETICA PER INGRESSO CAVI BT / BLINDO	NO MAGNETIC PLATE FOR LV CABLE / BUSBAR ENTRY	PLAQUE AMAGNÉTIQUE POUR ENTRÉE DES CÂBLES BT / DE LA GAINÉ À BARRES	US KABELINGANGSFLANSCH	PLACA NO MAGNETICA PARA ENTRADA DE CABLES BT / DUCTO BARRA	NIEMAGNETYCZNY PRZEPUST DLA KABLI NN / WEJŚCIE SZYNOPRZEWODU
06	PIASTRA AMAGNETICA PER INGRESSO CAVI MT	NO MAGNETIC PLATE FOR HV CABLE ENTRY	PLAQUE AMAGNÉTIQUE POUR ENTRÉE DES CÂBLES HT	OS KABELINGANGSFLANSCH	PLACA NO MAGNATICA PARA ENTRADA DE CABLES MT	NIEMAGNETYCZNY PRZEPUST DLA KABLI SN
07	APERTURA PER SOLLEVAMENTO TRAFI + BOX	LIFTING OPENING TRANSF. + ENCLOSURE	OUVERTURE POUR LEVAGE DU TRANSF. + ENVELOPPE	HEBEVORRICHTUNG FÜR TRAFI + GEHÄUSE	ABERTURA PARA ELEVACIÓN TRAFI+BOX	ZDEJMOWANA POKRYWA W CELU PODNOSZENIA TRAFI I OBUDOWY
08	PREDISPOSIZIONE PER SERRATURA AREL	AREL LOCK PREDISPOSITION	PRÉDISPOSITION VERROUILLAGE AREL	VORBEREITUNG FÜR AREL-SCHLOSS	PREDISPOSICIÓN BLOQUEAR AREL	PRZYGOTOWANE MIEJSCE NA ZAMEK
09	FONDO IP20	BOTTOM STEEL PLATE IP20	FONDS IP20	STAHLGITTERBODEN IP20	FONDO IP20	DOLNY PANEL STALOWA IP20

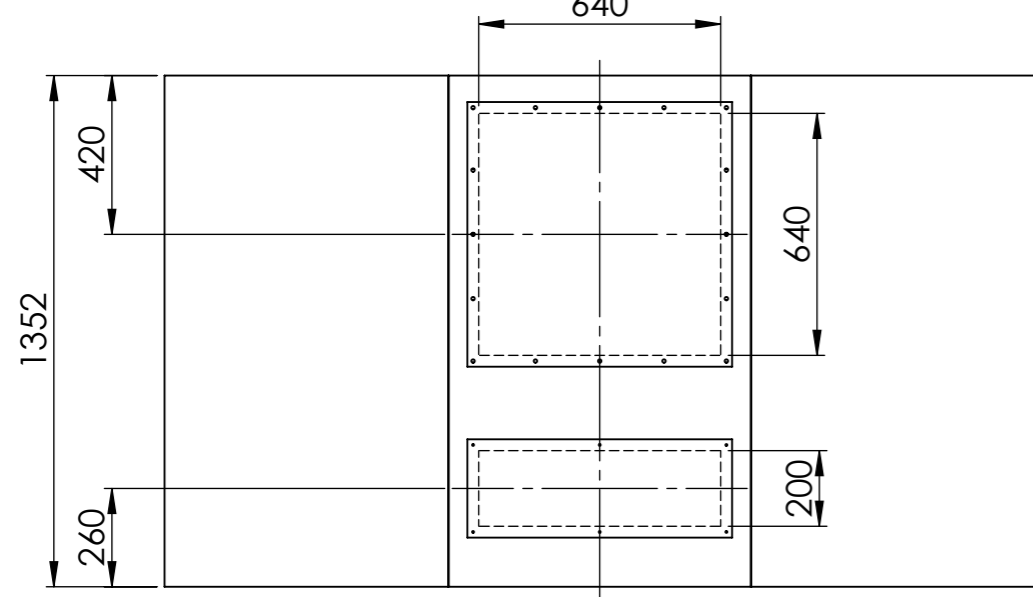
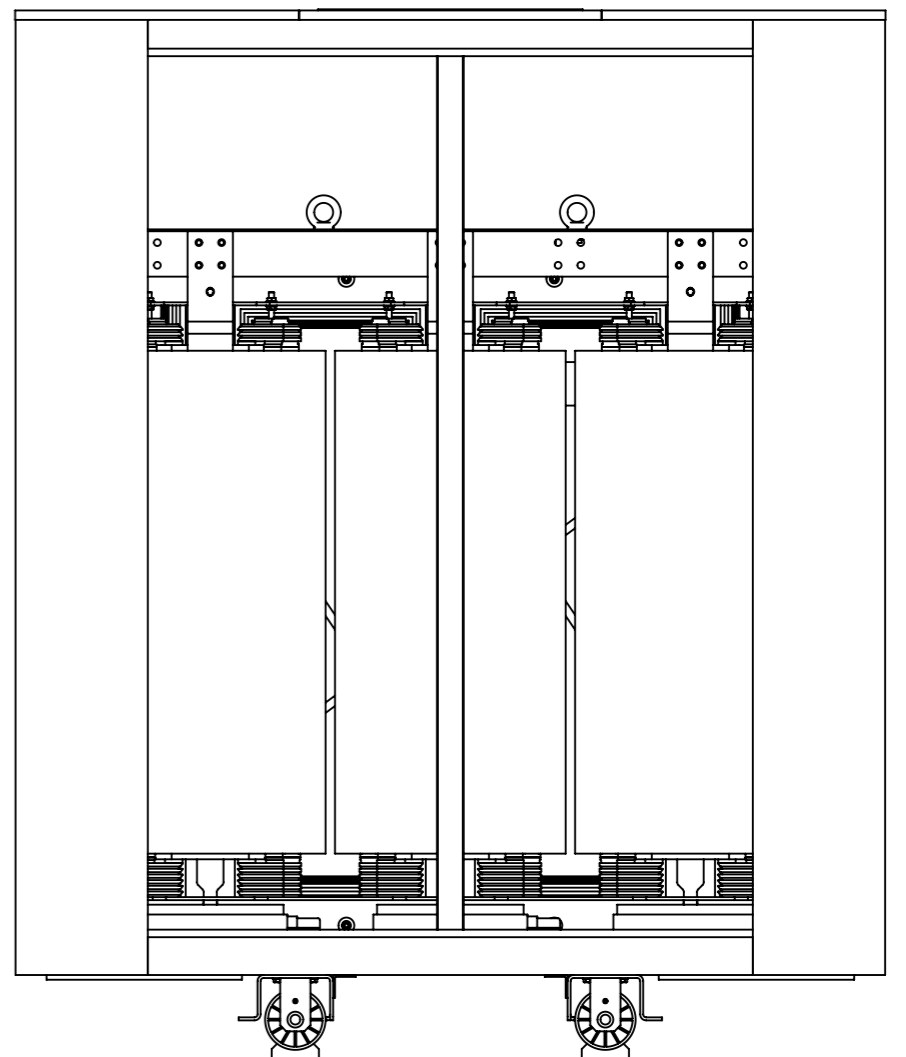
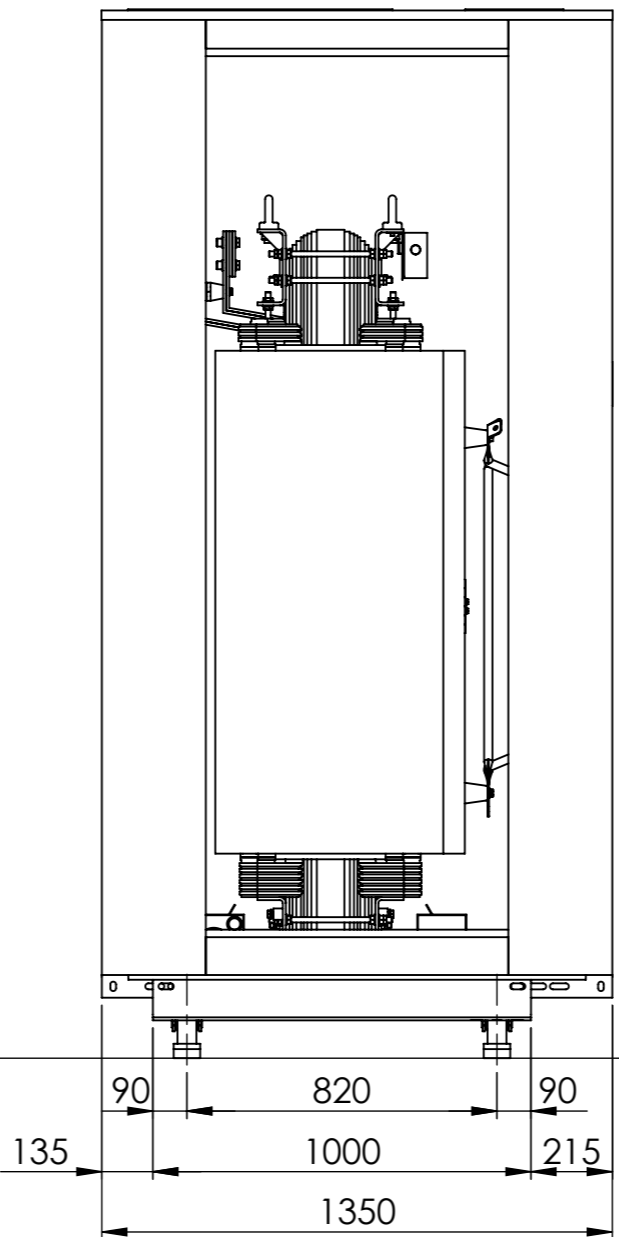
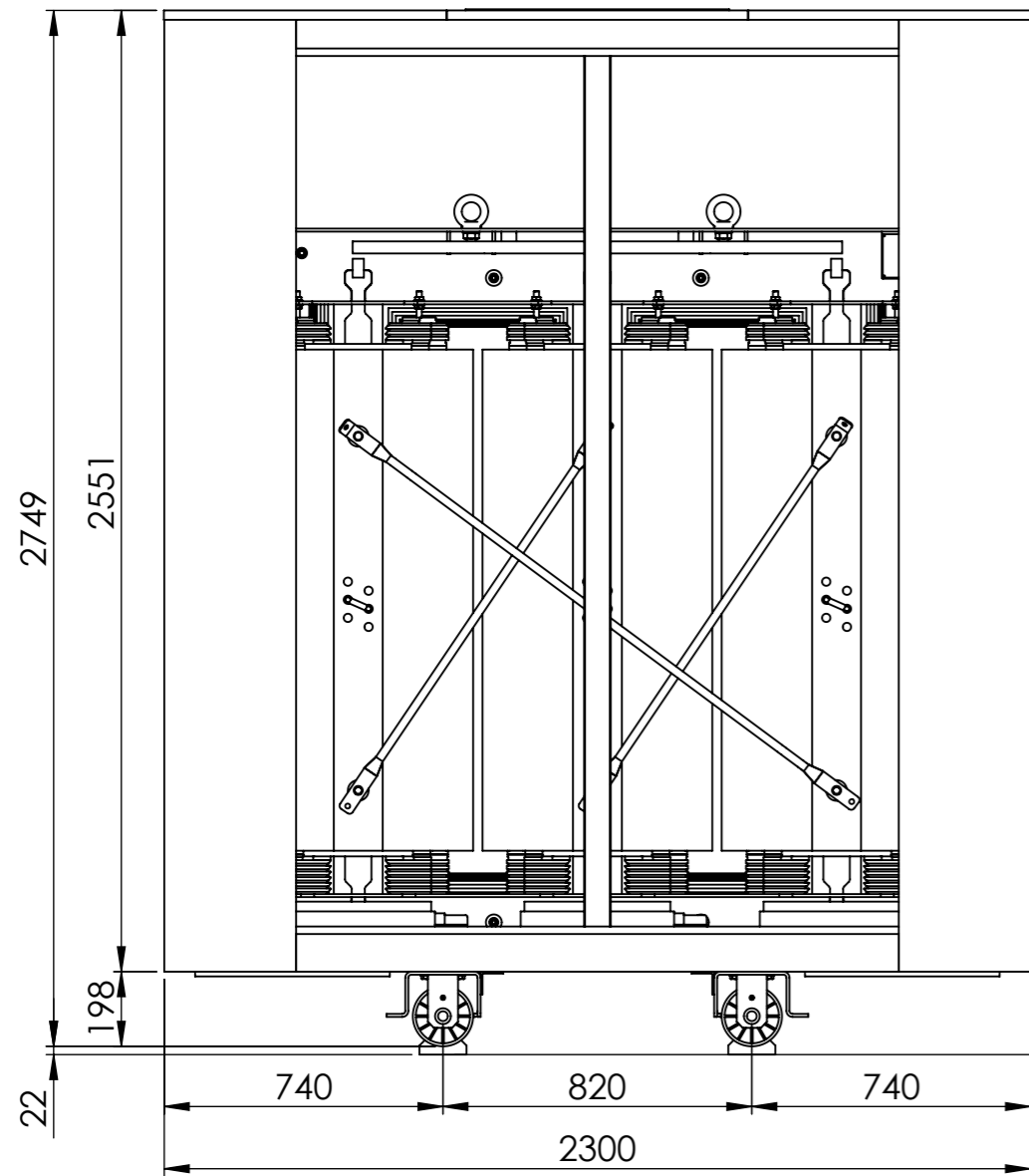
	03					
	02					
	01					
	00	Emissione / Issue	30/11/2020	Campitelli	Fantozzi	
Massa in kg A3 Dim. in mm	Scala 1:22	Rev	Modifica / Modification	Data / Date	Dis. / Drawn	Contr. / Checked
Riproduzione vietata. Tutti i diritti sono riservati. / All rights reserved.						

**bticino**  
A Group Brand | **legrand**

Bticino Spa  
Via Enzo Ferrari, 64020  
Castellalto (TE) - Italy

Tipo Disegno / Drawing Type  
INGOMBRO / OUTLINE DIMENSIONS  
ENCOMBREMMENT / ABMESSUNGEN  
PLANO GENERAL / WYMIARY

Ref.	IP00	IP RAL	Numero Disegno / Drawing N°	Foglio/Sheet
Potenza Rating	2000	(kVA)	IN_HN4AIA	3
Tensioni Voltages		(V)		di/of
				4
GENERAL TOLERANCES + / - 20mm				



	03					
	02					
	01					
	00	Emissione / Issue	30/11/2020	Campitelli	Fantozzi	
Massa in kg A3 Dim. in mm	Scala 1:20	Rev	Modifica / Modification	Data / Date	Dis. / Drawn	Contr. / Checked
Riproduzione vietata. Tutti i diritti sono riservati. / All rights reserved.						

**bticino**  
A Group Brand | **legrand**

Bticino Spa  
Via Enzo Ferrari, 64020  
Castellalto (TE) - Italy

Tipo Disegno / Drawing Type  
INGOMBRO / OUTLINE DIMENSIONS  
ENCOMBREMENT / ABMESSUNGEN  
PLANO GENERAL / WYMIARY

Ref.	IP00	IP RAL	IP RAL
Potenza Rating	2000	(kVA)	Freq. 50 (Hz)
Tensioni Voltages		(V)	Gruppo Group

Numero Disegno / Drawing N°	Foglio/Sheet
IN_HN4AIA	4
	di/of
	4
GENERAL TOLERANCES +/- 20mm	