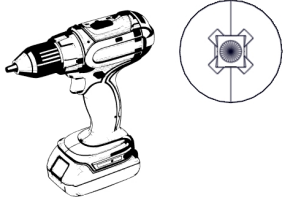
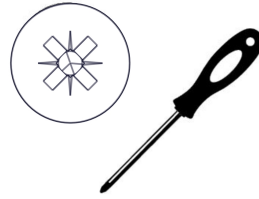




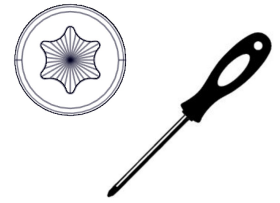
Tools



SR-1

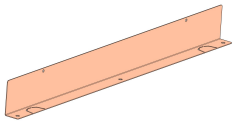


PZ-2

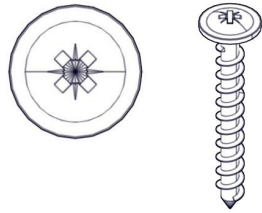


T25

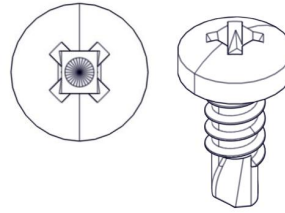
Components



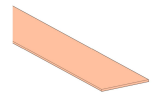
100MY



ST5.0 x 40 (PZ-2)

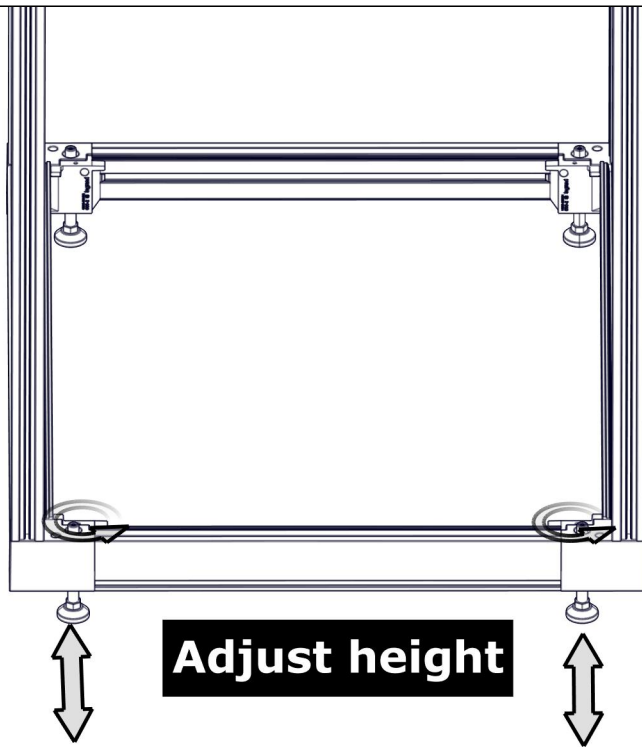


ST4.2 x 13 (SR-1)



19 x 0.8

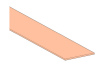
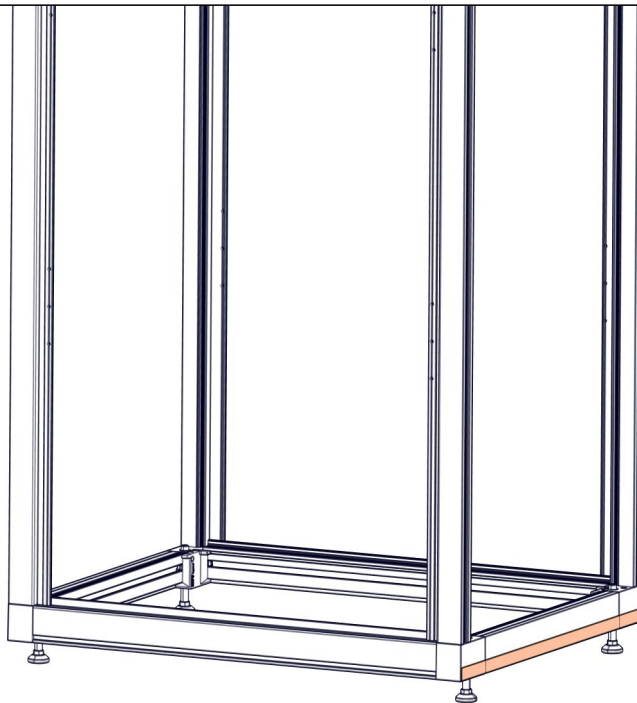
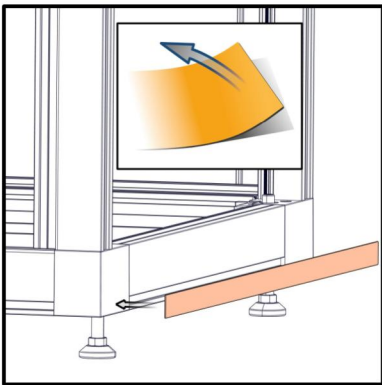
1.1



T25

NI-000069-5/000969-1

1.2

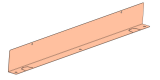
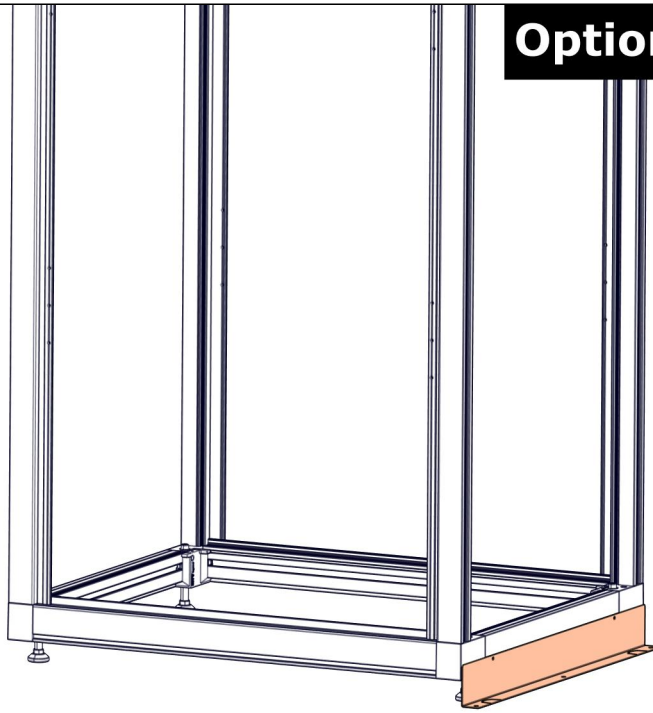
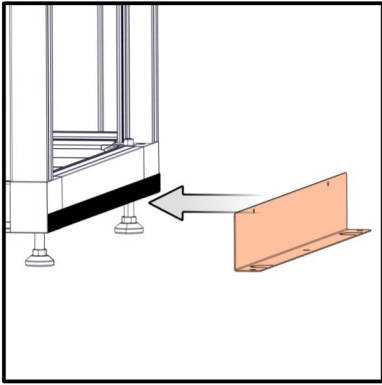


19 x 0.8

NI-000069-5/000969-1

1.3

Option 1

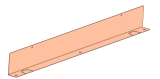
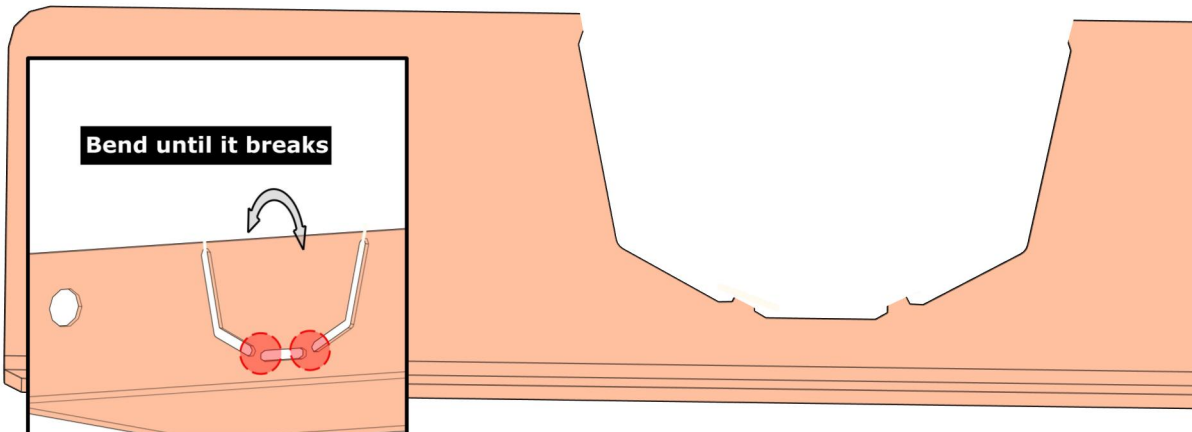
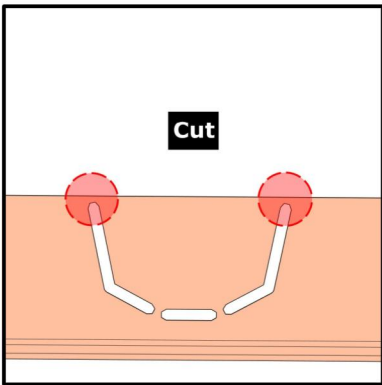


100MY

NI-000069-5/000989-1

1.4

Option 2



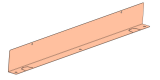
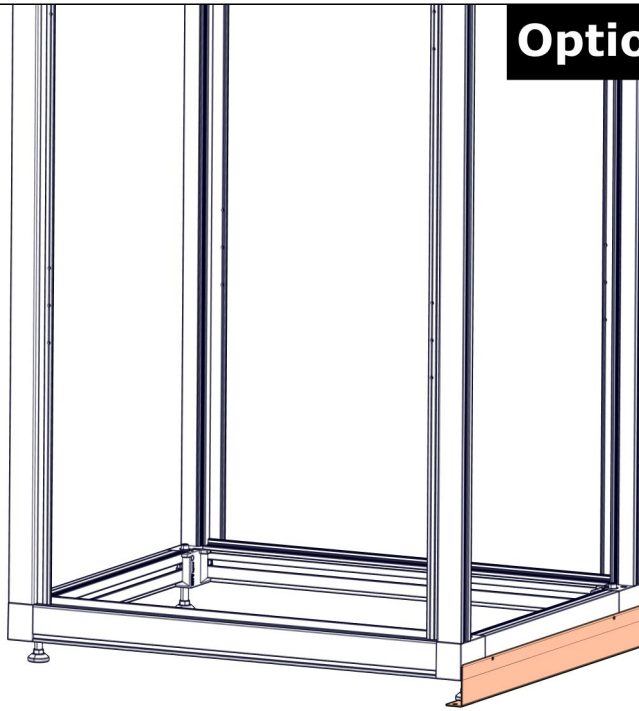
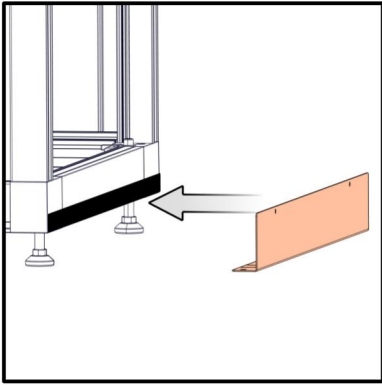
100MY



NI-000069-5/000989-1

1.5

Option 2

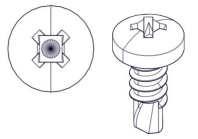
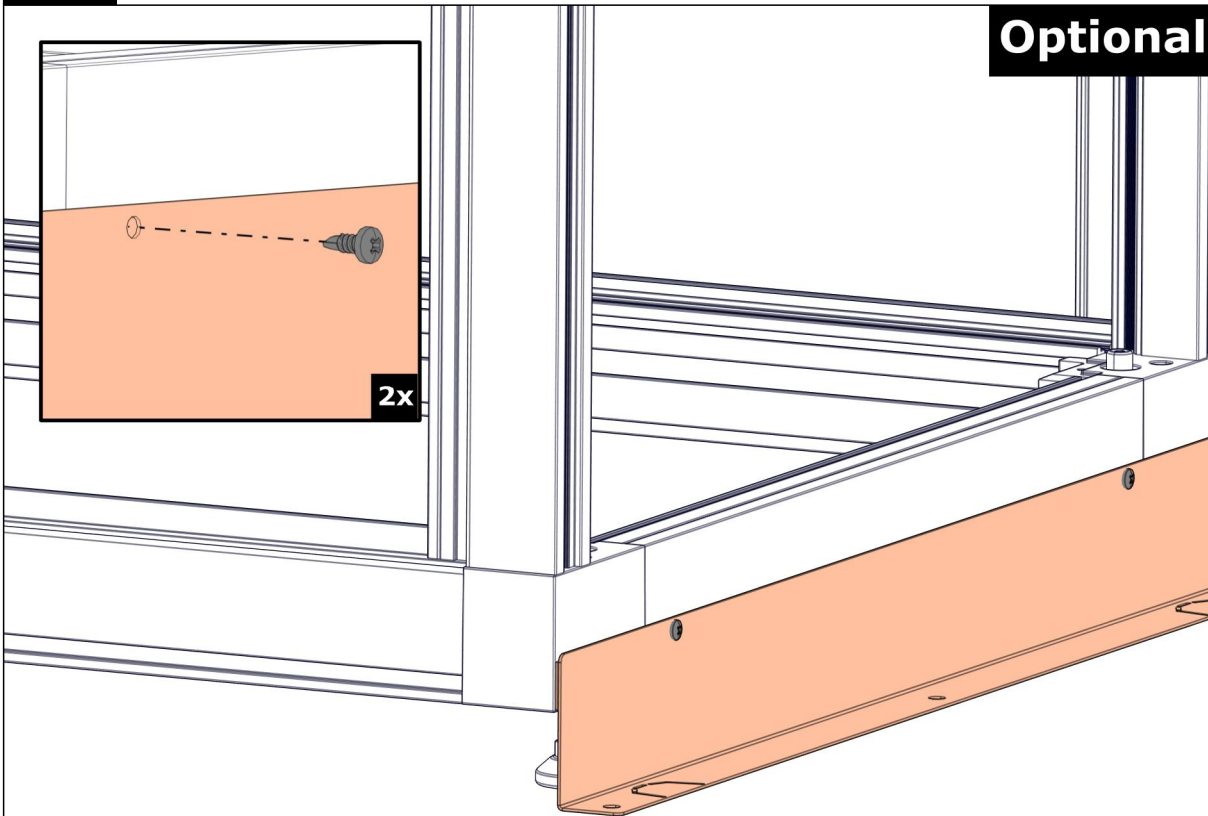
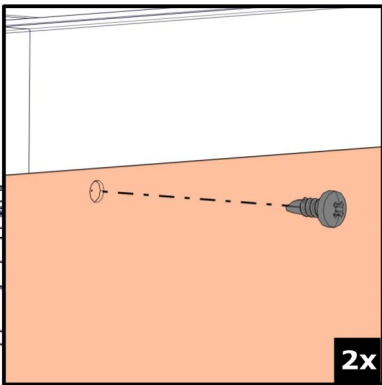


100MY

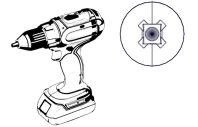
NI-000069-5/000989-1

1.6

Optional



ST4.2 x 13 (SR-1)

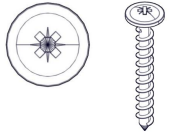
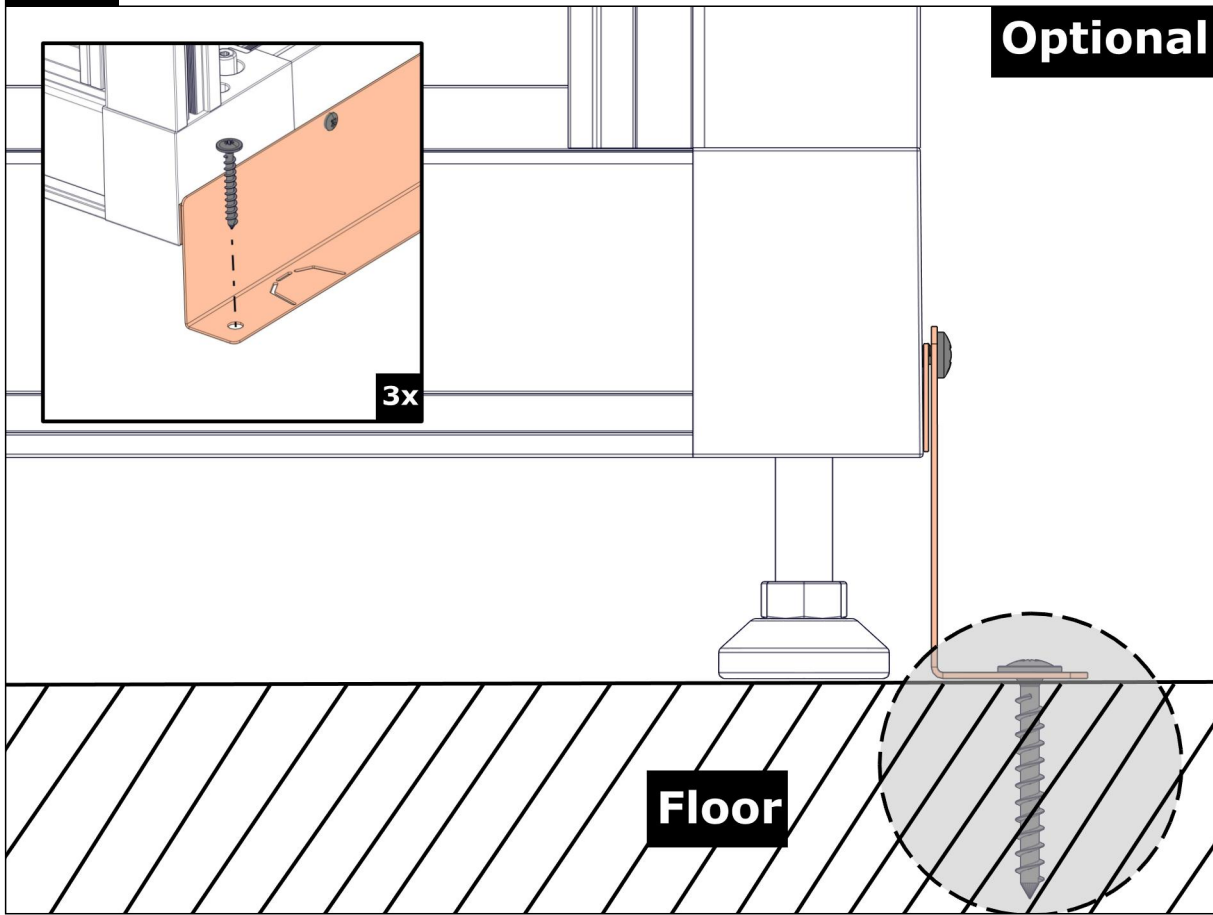
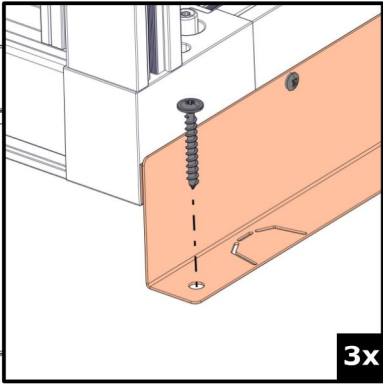


SR-1

NI-000069-5/000989-1

1.7

Optional



ST5.0 x 40 (PZ-2)



PZ-2

NI-000069-5/000969-1

Notes



Head office
and International Department
87045 Limoges Cedex - France
Tel: + 33 (0) 5 55 06 87 87
Fax: + 33 (0) 5 55 06 74 55