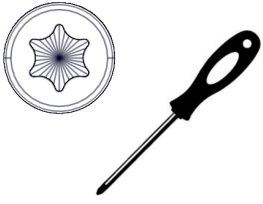
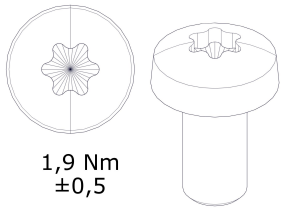


Tools



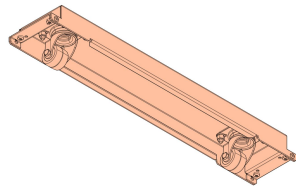
T25

Components



1,9 Nm
 $\pm 0,5$

M5 x 10 Tapt (T25)



1009H

1.1

Front

Front and rear are the same distance at every depth

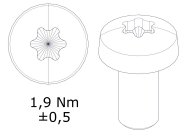
75,5 mm

45,5 mm

NI-000067-1/000976-0

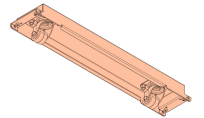
1.2

Front

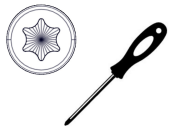


1,9 Nm
±0,5

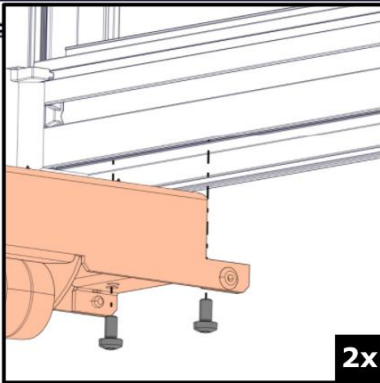
M5 x 10 Tap (T25)



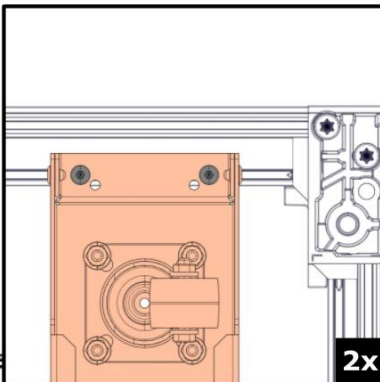
1009H



T25



2x

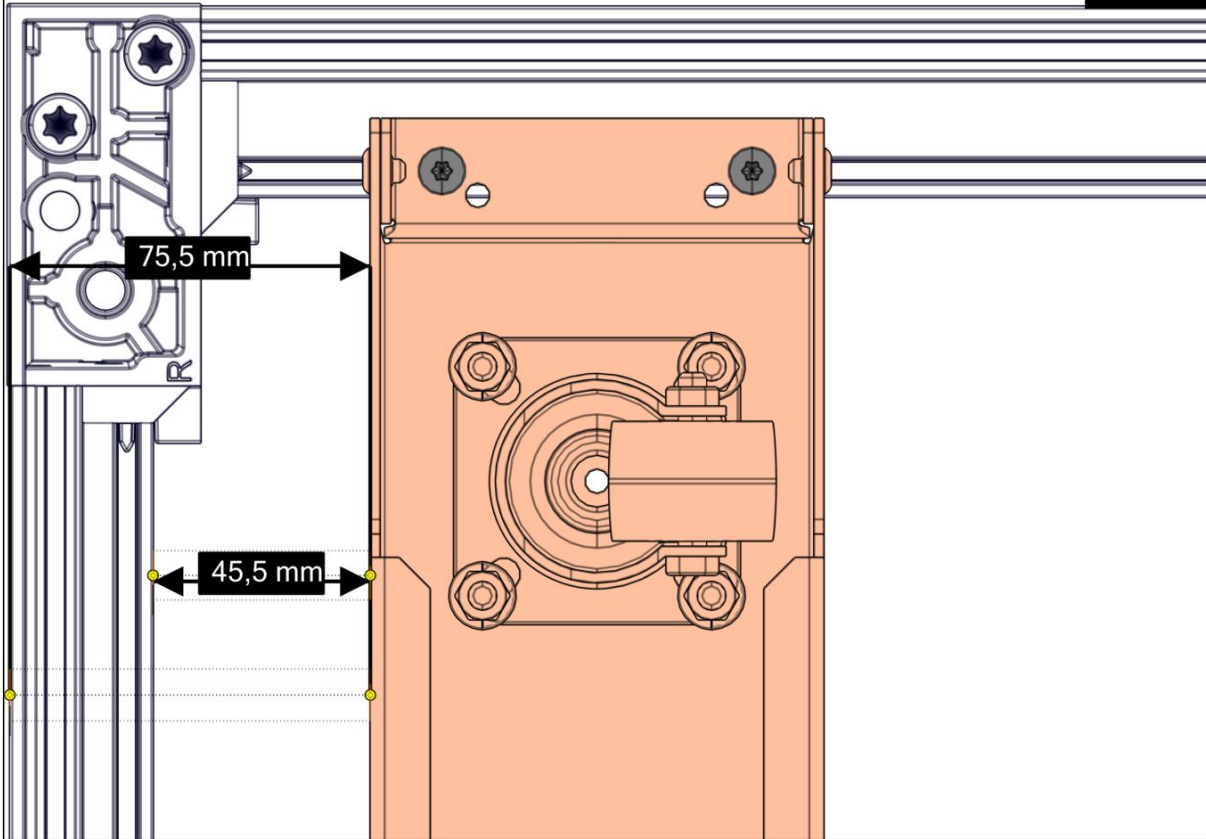


2x

NI-000067-1/000976-0

1.3

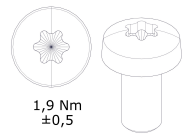
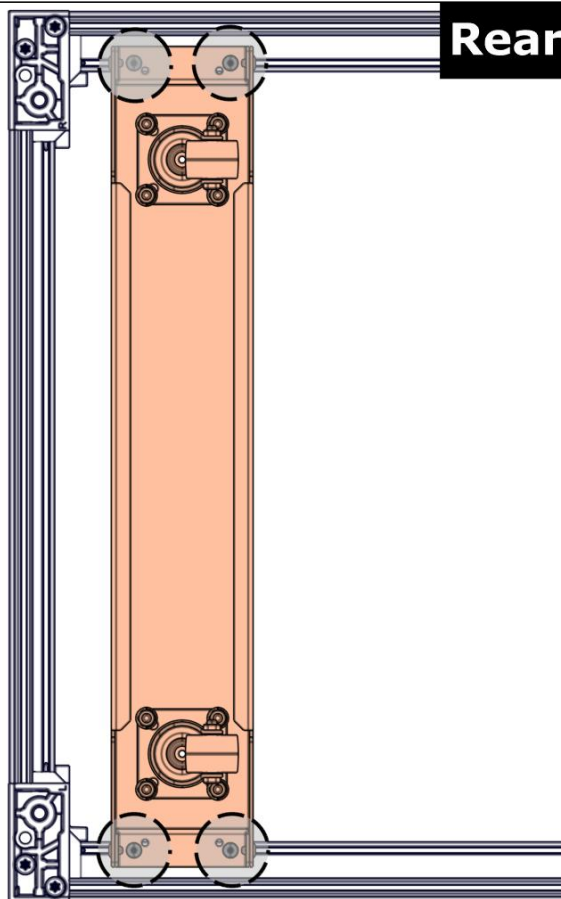
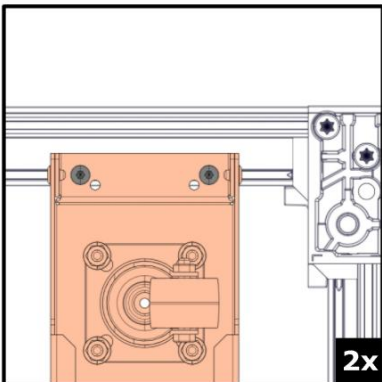
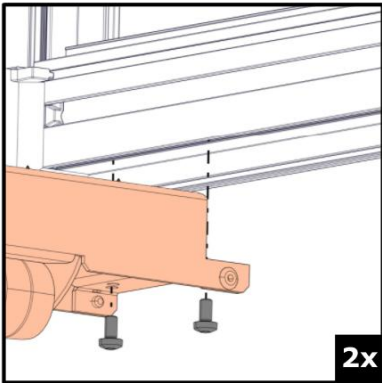
Rear



NI-000067-1/000976-0

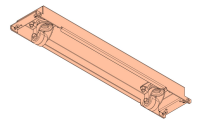
1.4

Rear



1,9 Nm
±0,5

M5 x 10 Tapt (T25)



1009H



T25

NI-000067-1/000976-0



Head office
and International Department
87045 Limoges Cedex - France
Tel: + 33 (0) 5 55 06 87 87
Fax: + 33 (0) 5 55 06 74 55