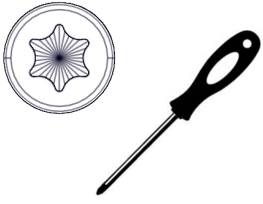


## Tools

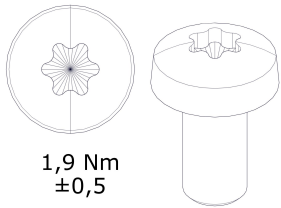
---



T25

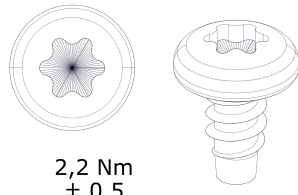
## Components

---



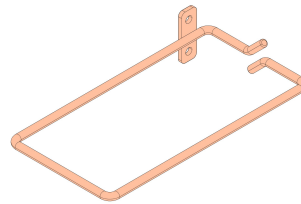
1,9 Nm  
 $\pm 0,5$

M5 x 10 (T25)



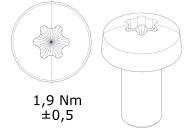
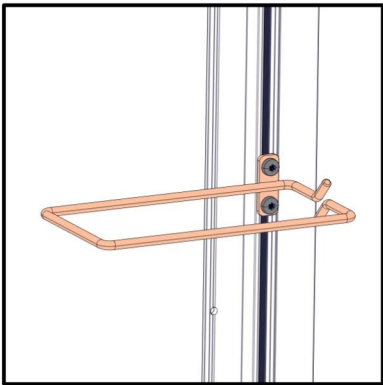
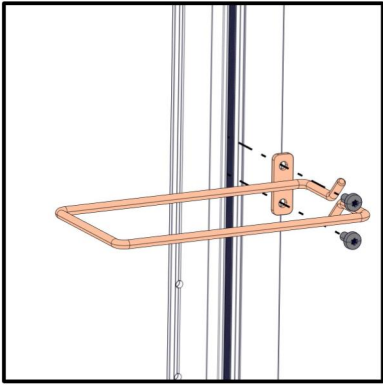
2,2 Nm  
 $\pm 0,5$

ST 4,2 x 8 (T25)



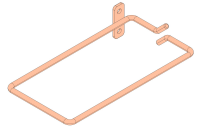
1008H

1.1



1,9 Nm  
±0,5

M5 x 10 (T25)



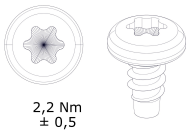
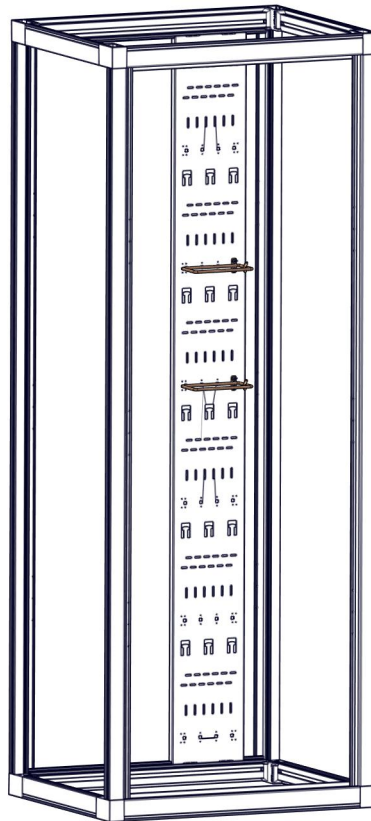
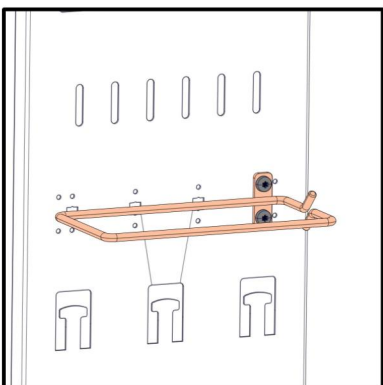
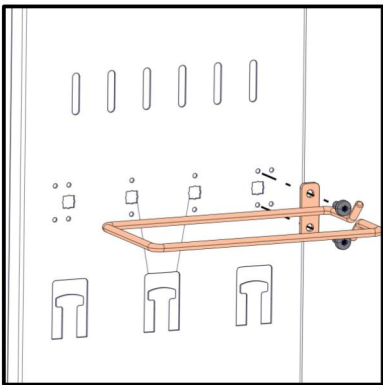
1008H



T25

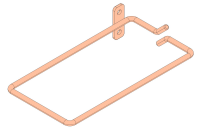
NI-000053-5/000957-2

1.2



2,2 Nm  
± 0,5

ST 4,2 x 8 (T25)



1008H



T25

NI-000053-5/000957-2



**Head office**  
and International Department  
87045 Limoges Cedex - France  
Tel: + 33 (0) 5 55 06 87 87  
Fax: + 33 (0) 5 55 06 74 55