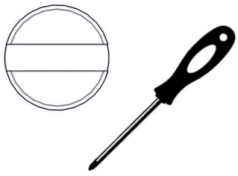
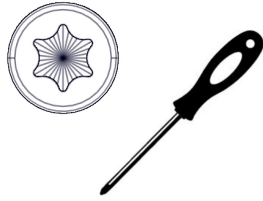


## Tools

---



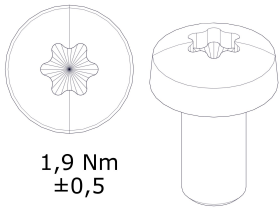
SL 3.0



T25

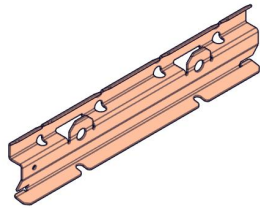
## Components

---

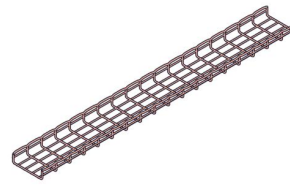


1,9 Nm  
 $\pm 0,5$

M5 x 10 (T25)

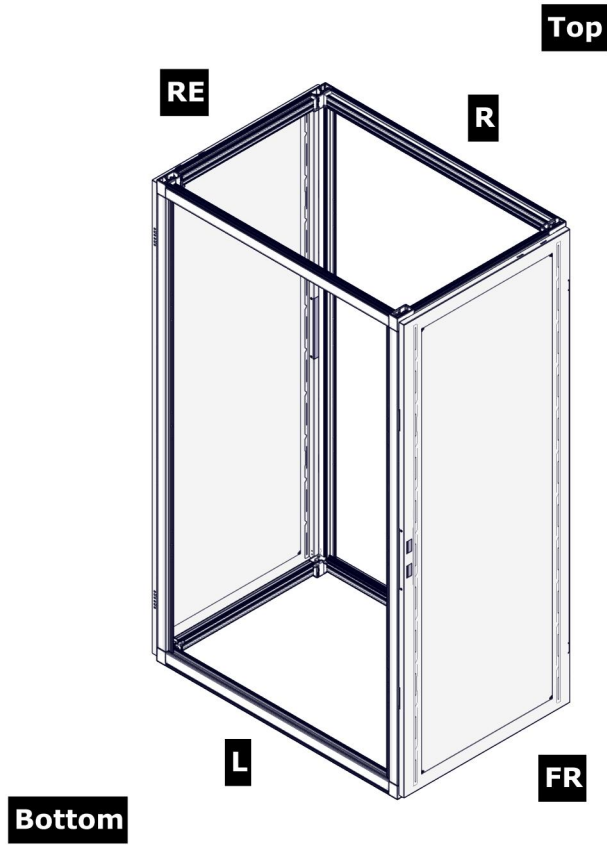


1004Q



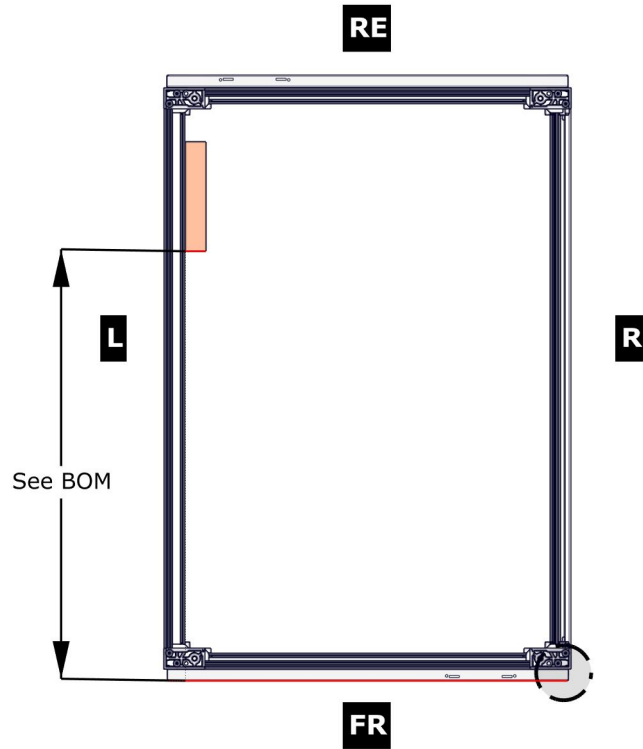
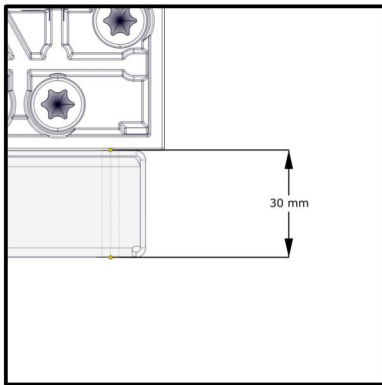
100BK

1.1



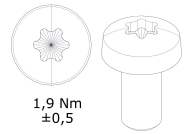
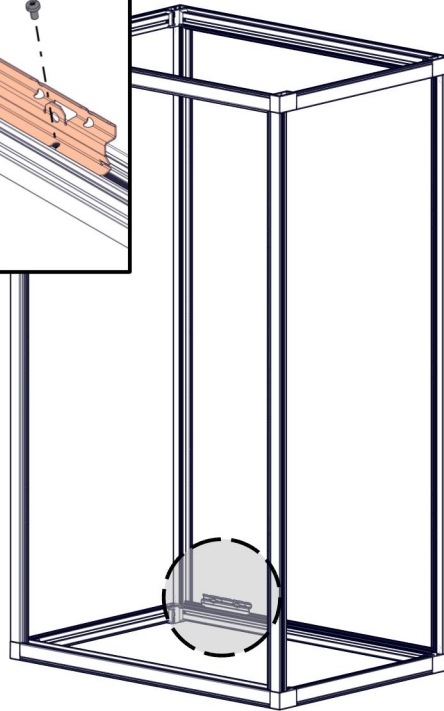
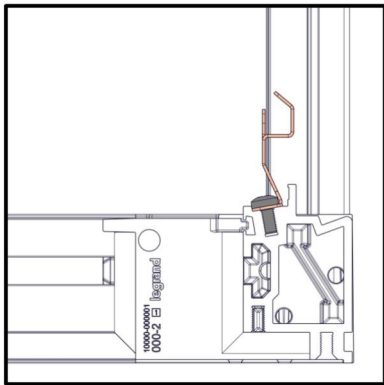
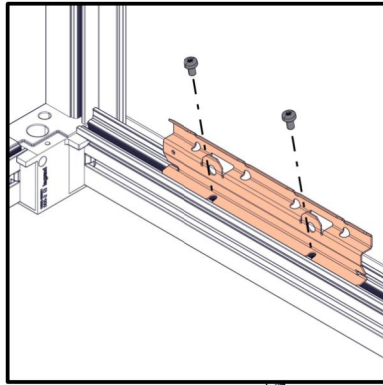
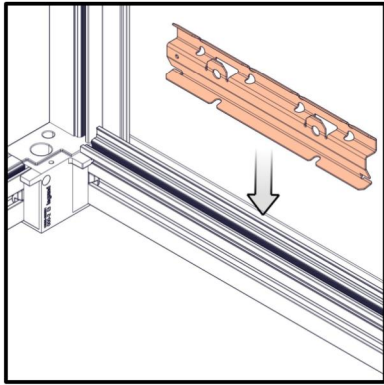
NI-000009-4/000903-0

1.2



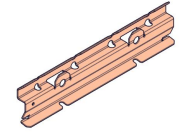
NI-000009-4/000903-0

## 2.1



1,9 Nm  
±0,5

M5 x 10 (T25)



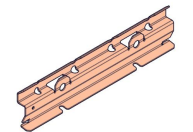
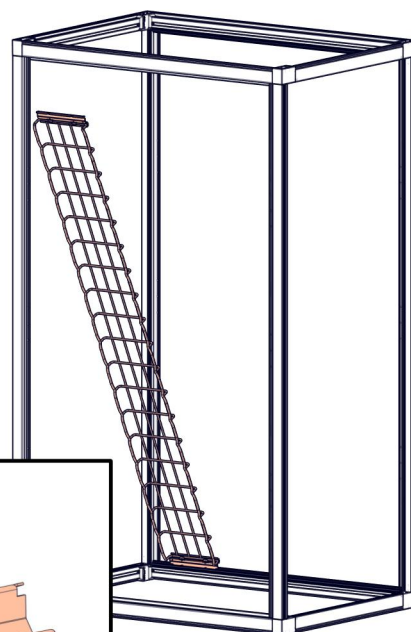
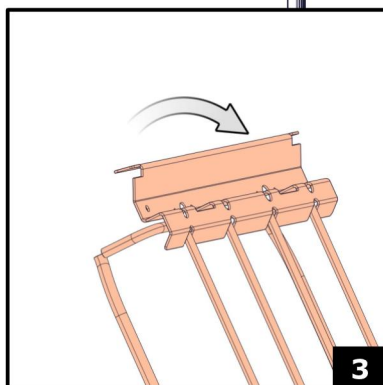
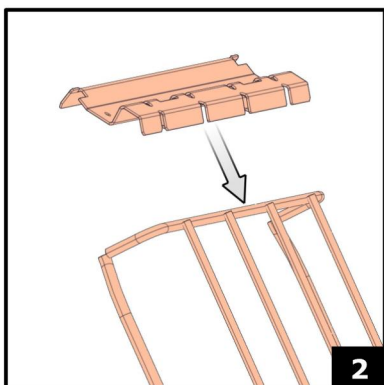
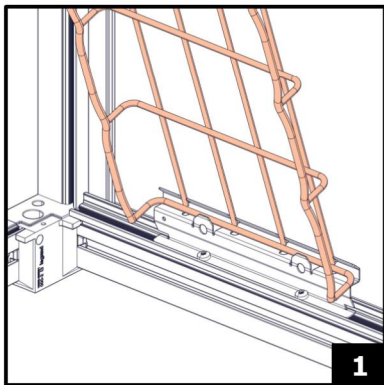
1004Q



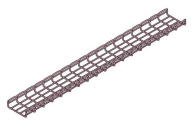
T25

NI-000009-4/000867-3

## 2.2



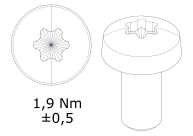
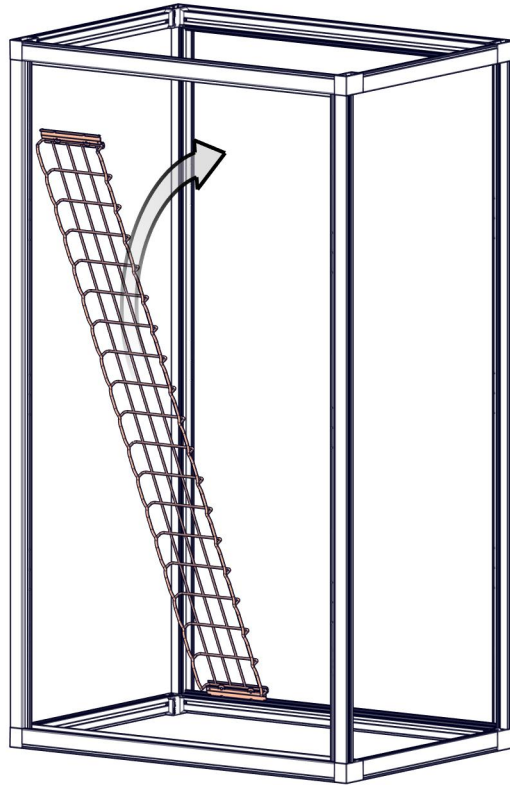
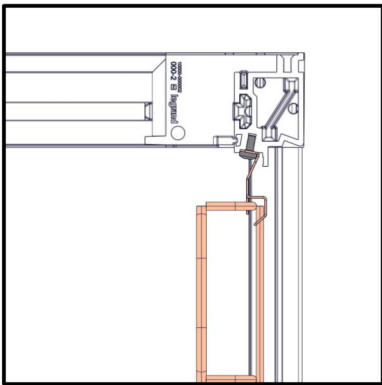
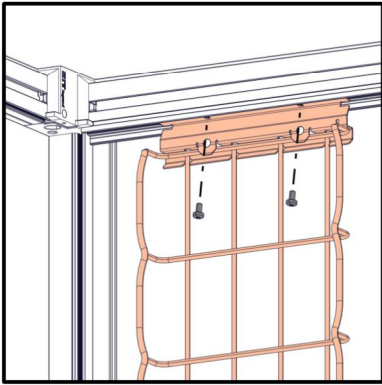
1004Q



100BK

NI-000009-4/000867-3

## 2.3



1,9 Nm  
±0,5

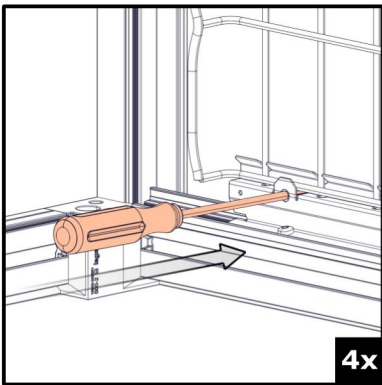
M5 x 10 (T25)



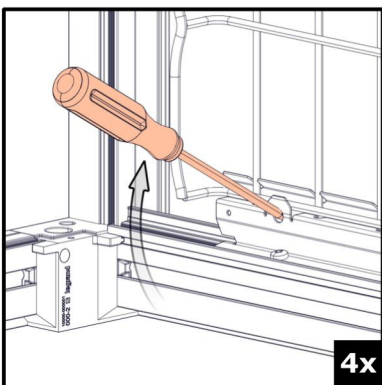
T25

NI-000009-4/000867-3

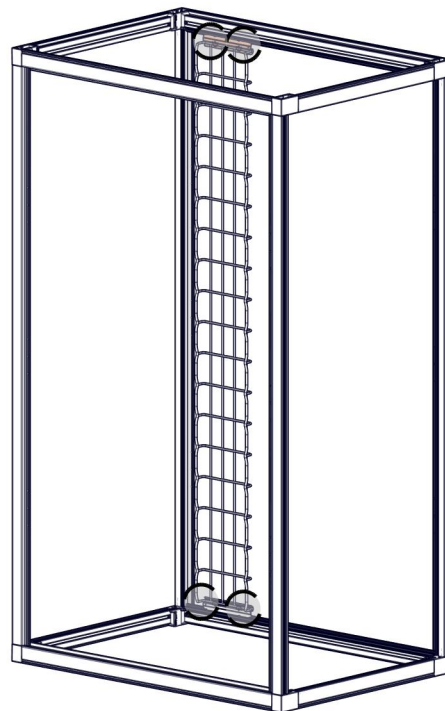
## 2.4



4x



4x



SL 3.0

NI-000009-4/000867-3



## Notes



**Head office**  
and International Department  
87045 Limoges Cedex - France  
Tel: + 33 (0) 5 55 06 87 87  
Fax: + 33 (0) 5 55 06 74 55