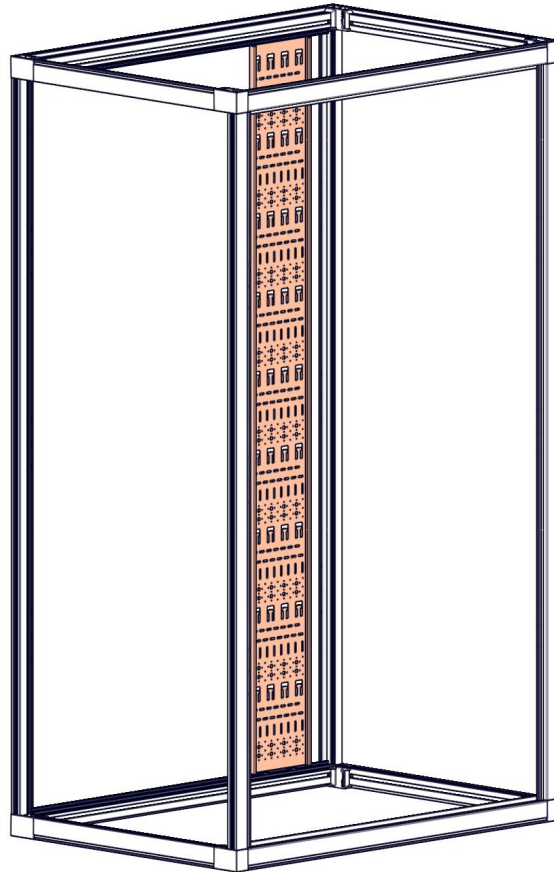
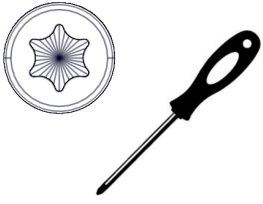


446463, 446464, 446465, 446466,
446467

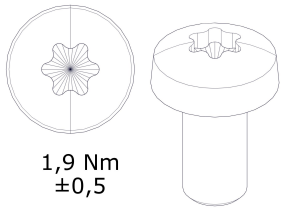


Tools



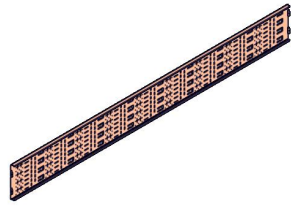
T25

Components



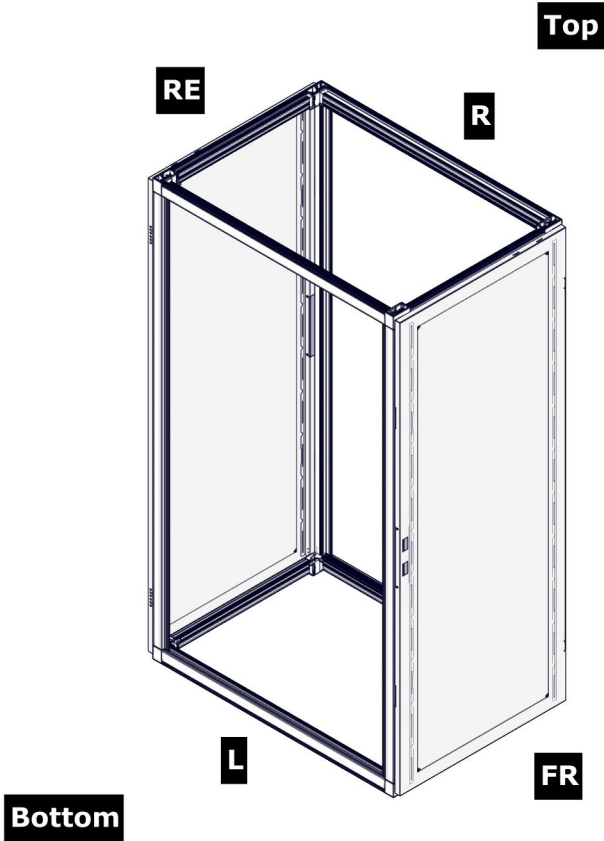
1,9 Nm
±0,5

M5 x 10 (T25)



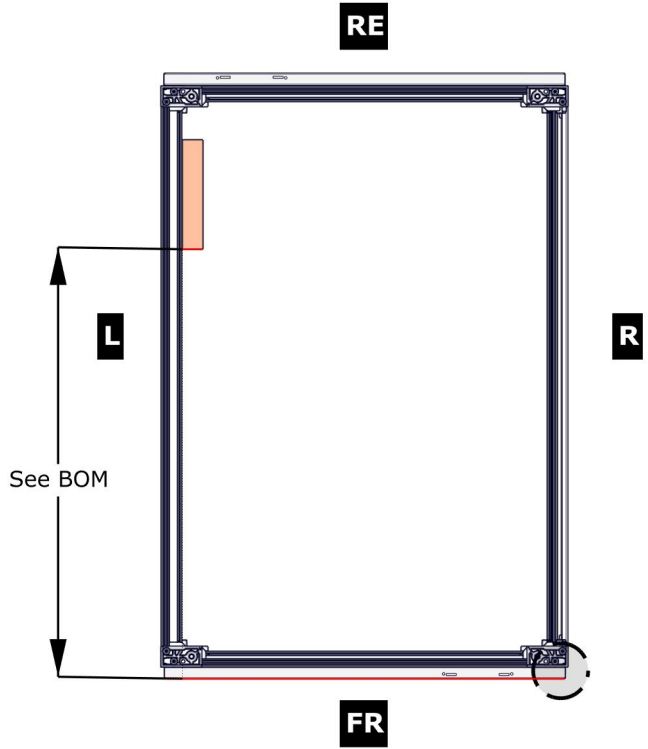
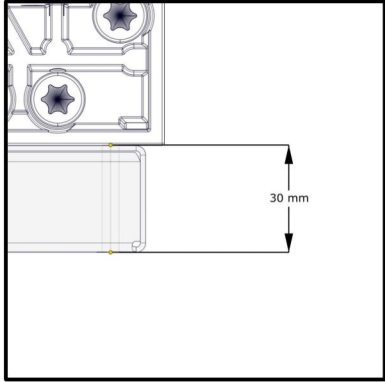
10082

1.1



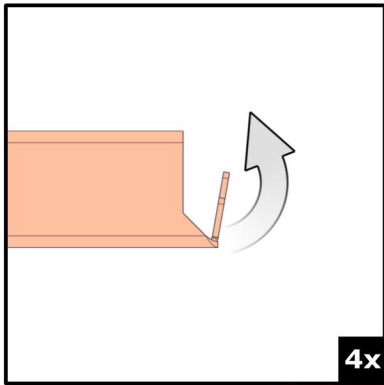
NI-000008-11/000903-0

1.2

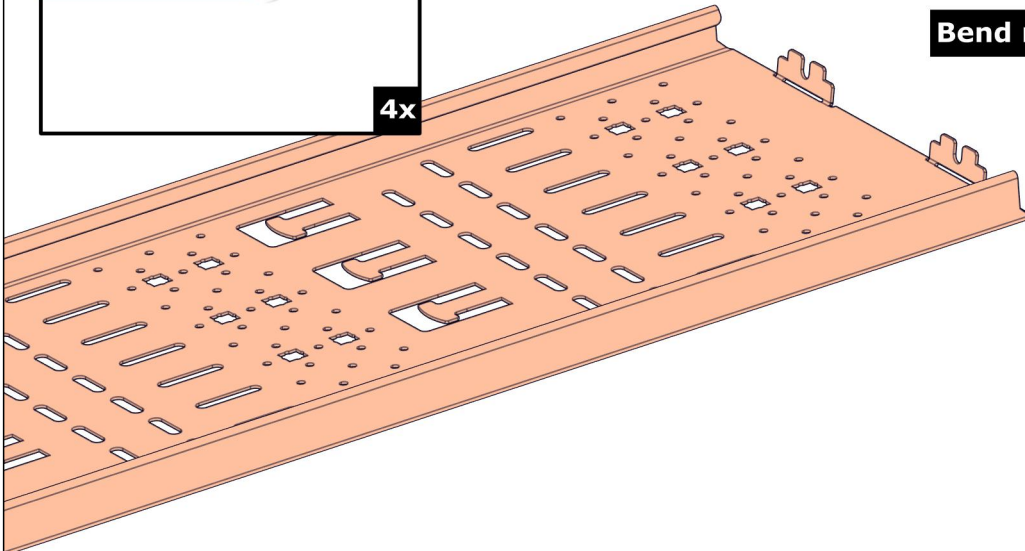


NI-000008-11/000903-0

2.1

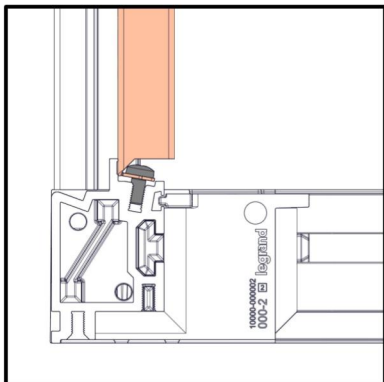
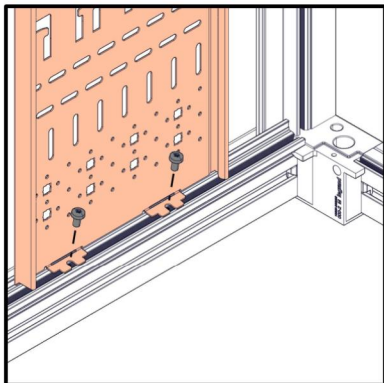


Bend manually

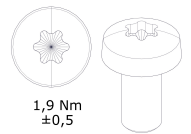
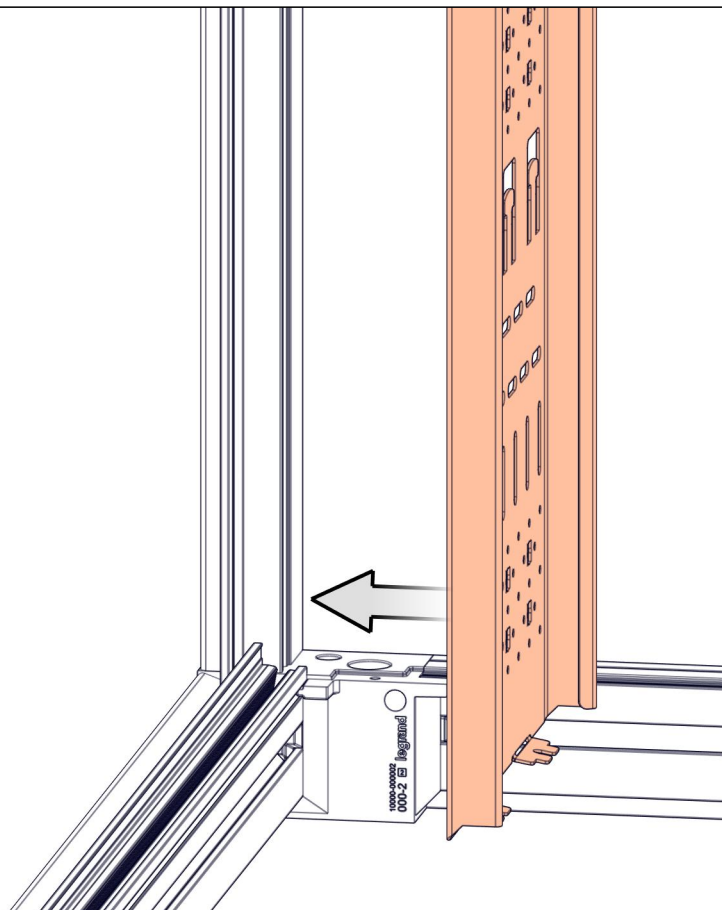


NI-000008-11/000866-4

2.2

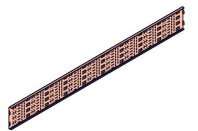


Front



1,9 Nm
±0,5

M5 x 10 (T25)

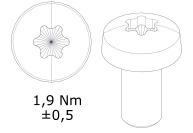
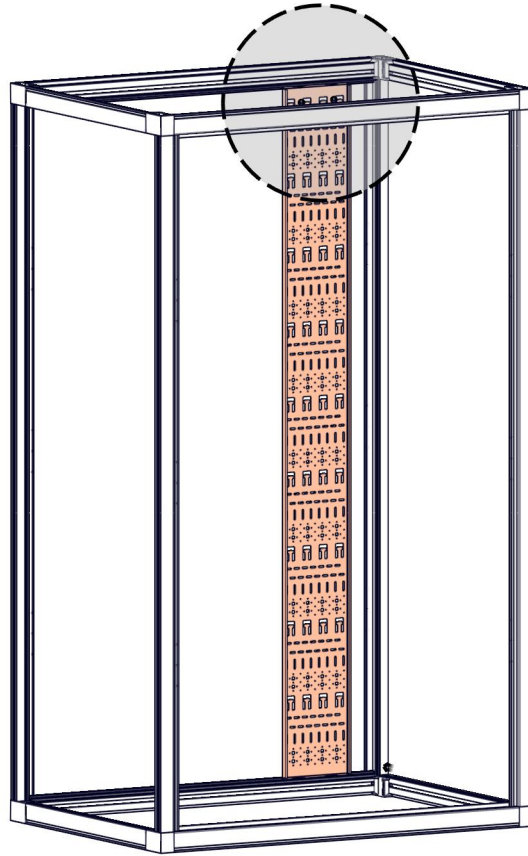
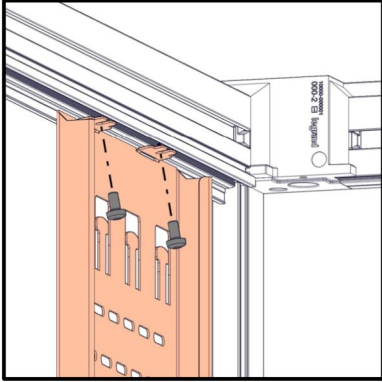


10082



T25

NI-000008-11/000866-4



1,9 Nm
±0,5

M5 x 10 (T25)



T25

NI-000008-1/000866-4



Head office
and International Department
87045 Limoges Cedex - France
Tel: + 33 (0) 5 55 06 87 87
Fax: + 33 (0) 5 55 06 74 55