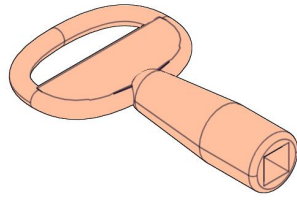


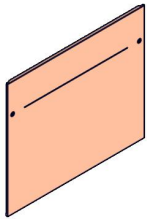
Tools



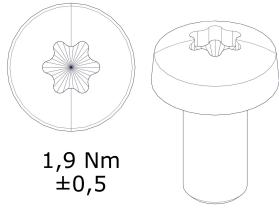
T25



Components

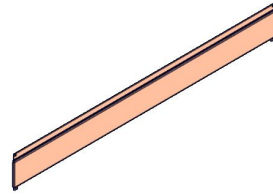


1001P



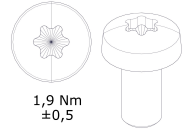
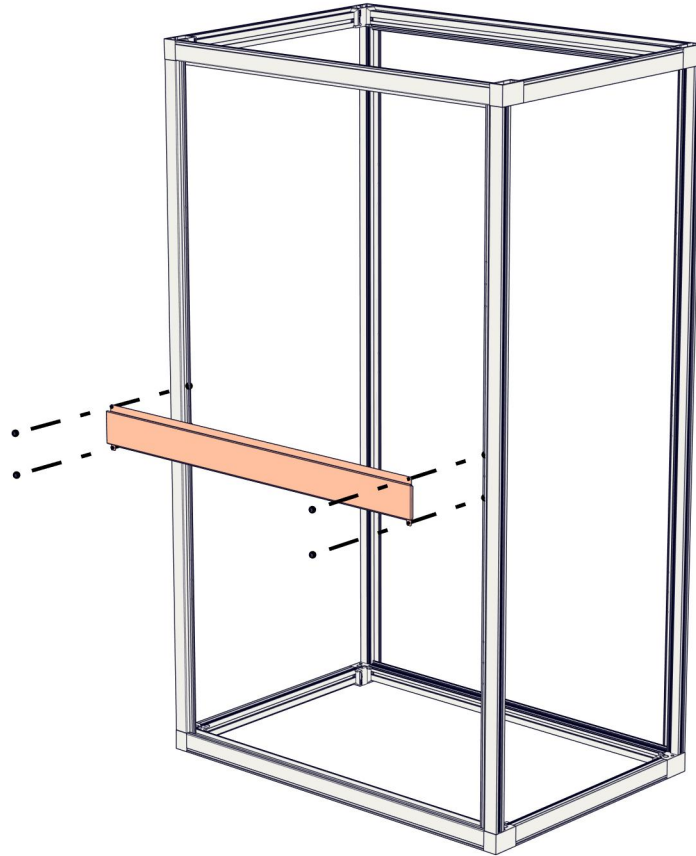
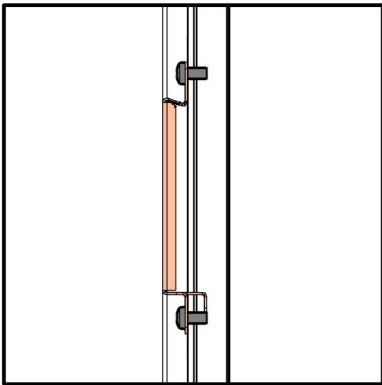
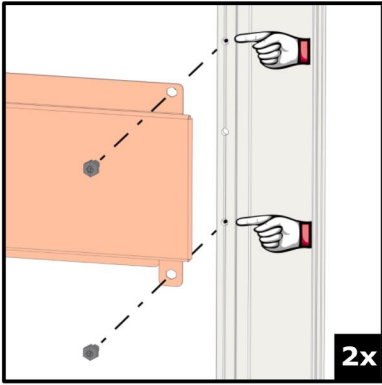
1,9 Nm
 $\pm 0,5$

M5 x 10 (T25)



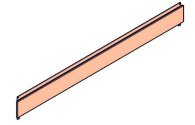
1005Q

1.1



1,9 Nm
±0,5

M5 x 10 (T25)



1005Q

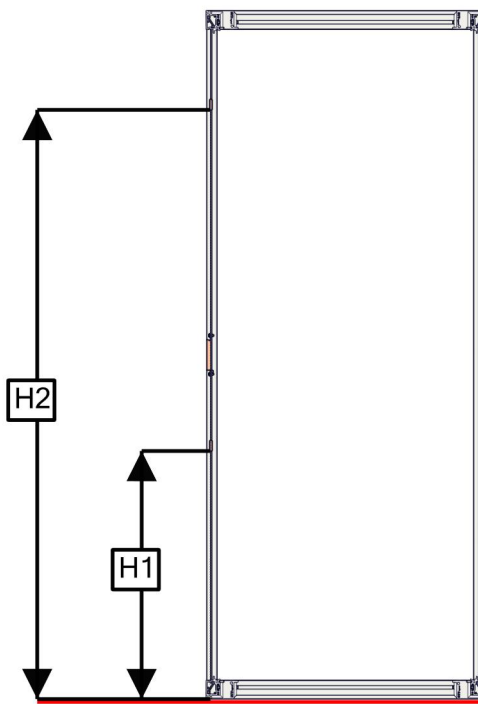


T25

NI-000002-8/000859-5

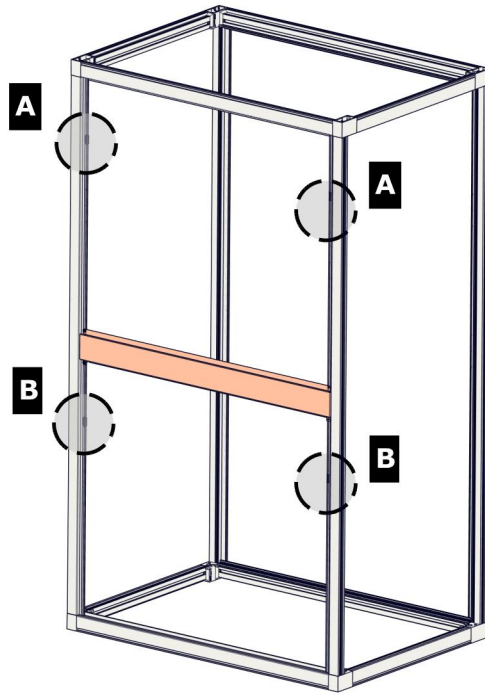
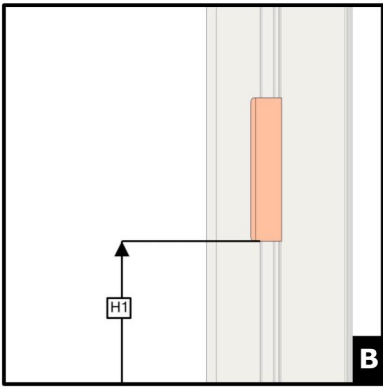
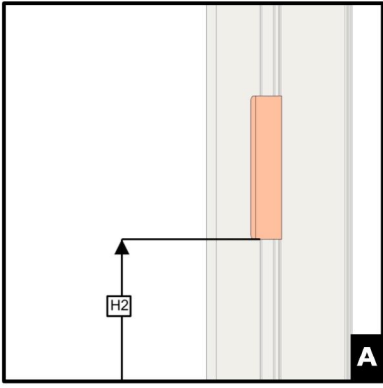
1.2

REF_H [U]	H1	H2
20	623,3	-
24	756,65	-
29	478,84	1169,35
33	523,29	1302,7
38	623,3	1513,84
42	712,2	1691,64
47	767,76	1858,32
51	856,66	2036,12
52	867,78	2069,46



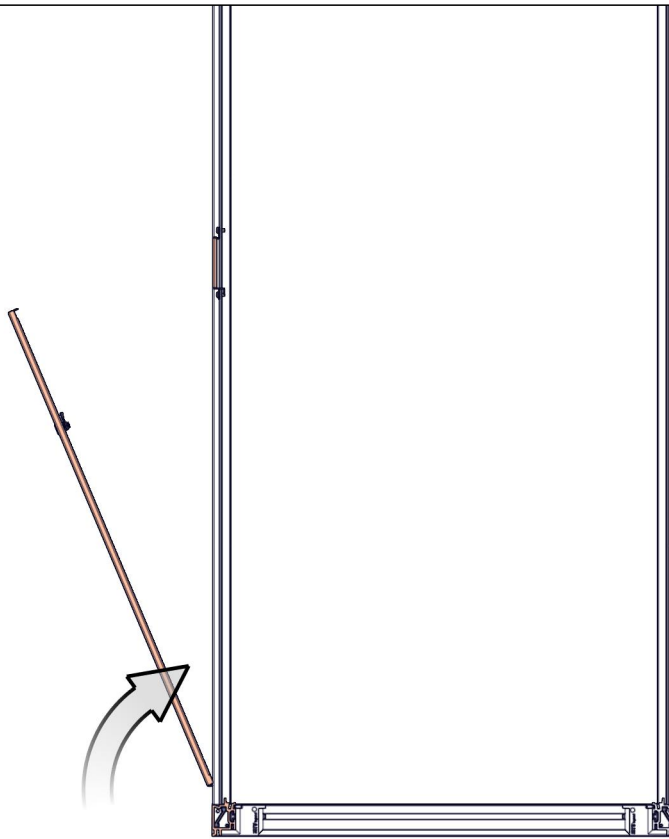
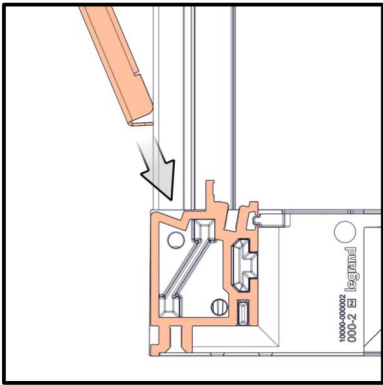
NI-000002-8/000859-5

1.3



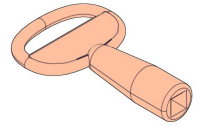
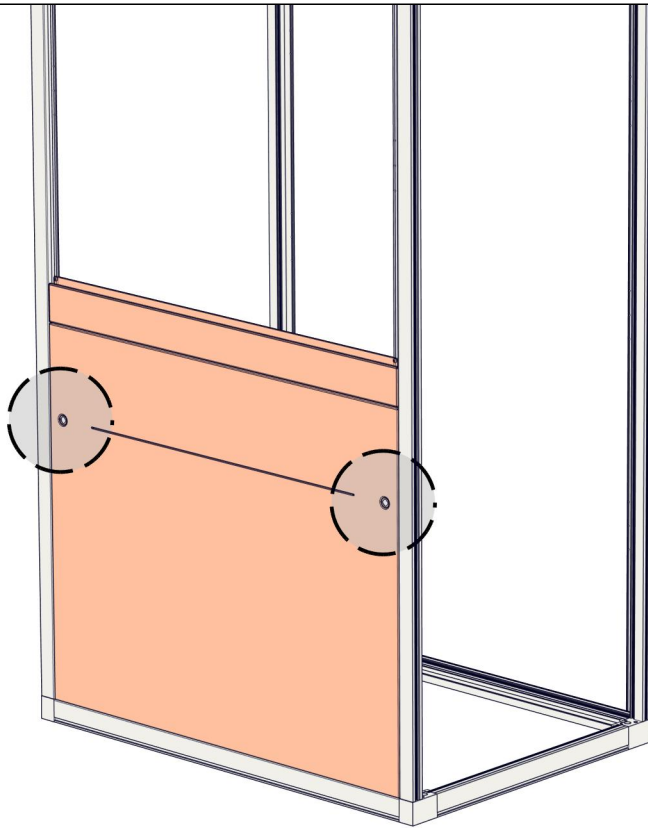
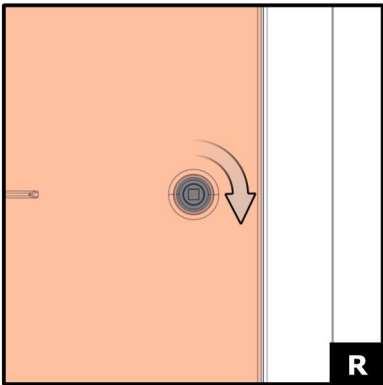
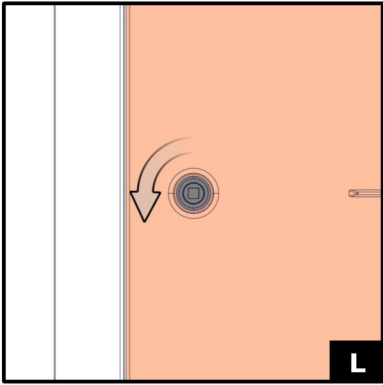
NI-000002-8/000859-5

1.4



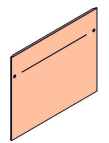
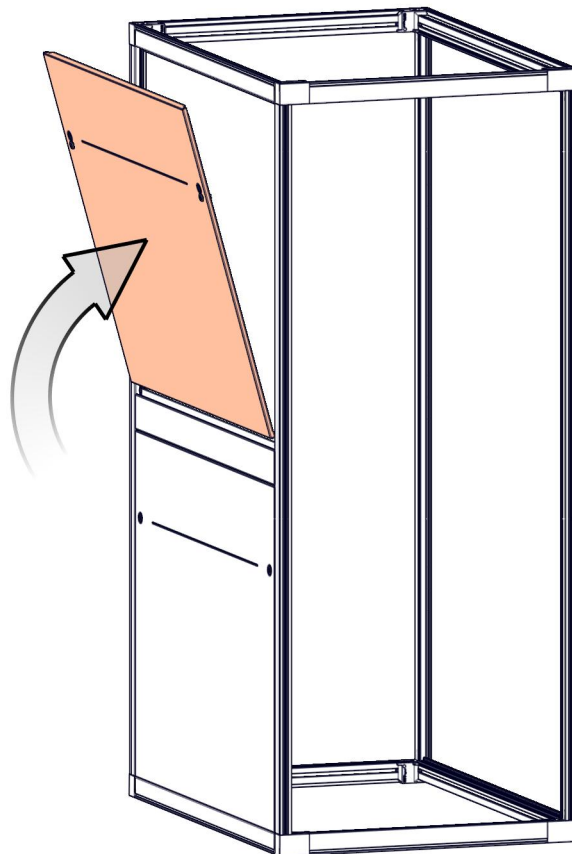
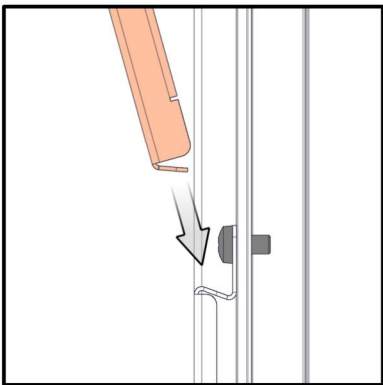
NI-000002-8/000859-5

1.5



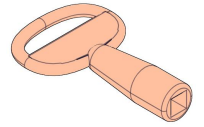
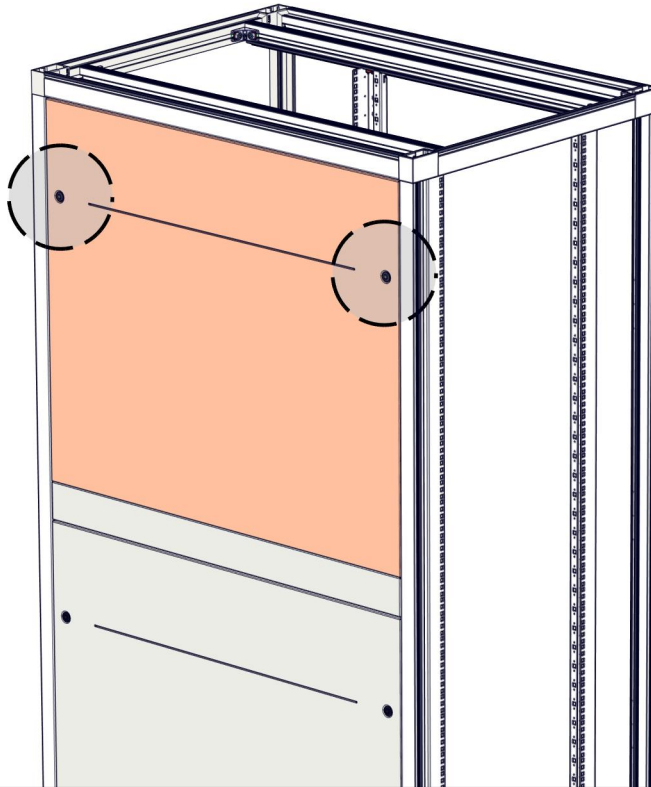
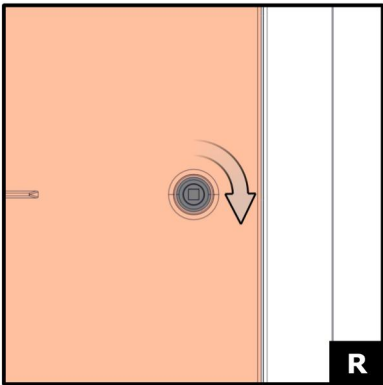
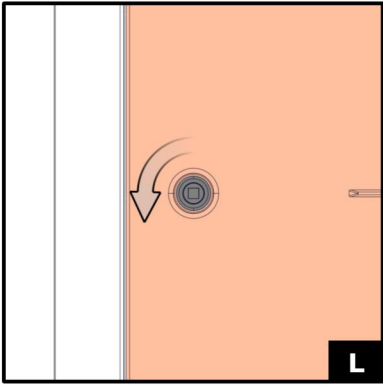
NI-000002-8/000859-5

1.6



1001P

NI-000002-8/000859-5



NI-00002-8/00859-5



Head office
and International Department
87045 Limoges Cedex - France
Tel: + 33 (0) 5 55 06 87 87
Fax: + 33 (0) 5 55 06 74 55