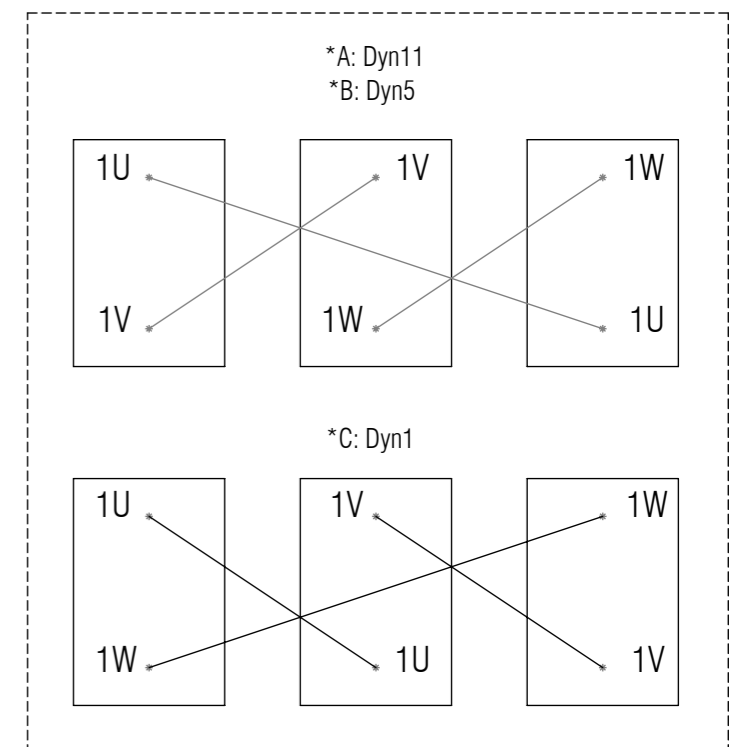


Ref.	RATED VOLTAGE RATIO	kg
HB4AIAGB*	20000 ± 2 x 2.5% / 400	880
HB4AIAGP*	20000 ± 2 x 2.5% / 410	880
HB4AIAGD*	20000 ± 2 x 2.5% / 420	880
HB4AIAWB*	21000 ± 2 x 2.5% / 400	900
HB4AIAWD*	21000 ± 2 x 2.5% / 420	900
HB4AIAKB*	22000 ± 2 x 2.5% / 400	900
HB4AIAKD*	22000 ± 2 x 2.5% / 420	900
HB4AIAHB*	23000 ± 2 x 2.5% / 400	920



ITEM	DESCRIZIONE (IT)	DESCRIPTION (EN)	DESCRIPTION (FR)	BESCHREIBUNG (DE)	DESCRIPCION (ES)	DESCRIPTION (PL)
01	TERMINALI MT ALLUMINIO (1U-1V-1W)	HV TERMINALS ALUMINIUM (1U-1V-1W)	BORNES MT ALUMINIUM (1U-1V-1W)	OS ANSCHLÜSSE ALUMINIUM (1U-1V-1W)	TERMINALES MT ALUMINIO (1U-1V-1W)	ZACISKI SN ALUMINIOWE (1U-1V-1W)
02	TERMINALI BT ALLUMINIO (2U-2V-2W)	LV TERMINALS ALUMINIUM (2U-2V-2W)	BORNES BT ALUMINIUM (2U-2V-2W)	US ANSCHLÜSSE ALUMINIUM (2U-2V-2W)	TERMINALES BT ALUMINIO (2U-2V-2W)	ZACISKI NN ALUMINIOWE (2U-2V-2W)
03	TERMINALI DI NEUTRO BT (2N)	LV NEUTRAL POINT TERMINALS (2N)	BORNES DE NEUTRE BT (2N)	US ANSCHLUSS NEUTRALLEITER (2N)	TERMINALES DE NEUTRO BT (2N)	ZACISK NN NEUTRALNY (2N)
04	TARGA DATI NOMINALI	RATING PLATE	PLAQUE SIGNALÉTIQUE	LEISTUNGSSCHILD	PLACA DE CARACTERÍSTICAS	TABLICZKA ZNAMIONOWA
05	CASSETTA AUSILIARI SONDE	AUXILIARY CIRCUIT BOX	BOÎTE AUXILIAIRES	ANSCHLUSSKASTEN TEMPERATURFÜHLER	CAJA AUXILIAR	SKRZYŃKA Z ZACISKAMI CZUJNIKÓW TEMP.
06	ANELLI DI SOLLEVAMENTO	LIFTING EYES	ANNEAUX DE LEVAGE	HEBEÖSEN	GANCHOS DE ELEVACIÓN	UCHWYTY DO PODNOSZENIA
07	PRESE DI REGOLAZIONE TENSIONE A VUOTO	OFF-CIRCUIT VOLTAGE REGULATION	BORNIER DE COMMUTATION	SCHALTGLASCHEN	CAJA DE REGULACIÓN TENSIONES EN VACIO	ZWORY REGULACJI NAPIĘCIA
08	RUOTE ORIENTABILI	BI-DIRECTIONAL WHEELS	ROUES ORIENTABLES	TRANSPORTROLLEN	RODILLAS DE RADAMIENTO BI-DIRECCIONAL	KÓŁKA DWUKIERUNKOWE
09	TERMINALI DI TERRA M12	EARTHING TERMINALS M12	BORNE DE TERRE M12	ERDUNGSANSCHLÜSSE M12	BORNE DE TIERRA M12	ZACISK DO UZIEMIENIA M12
10	FORI DI TRAIANO	PULLING HOLES	TROUS POUR TRACTION	ZUGÖSEN	ORIFICIOS PARA ARRASTRE	OTWORY TRANSPORTOWE
11**	SUPPORTI ANTIVIBRANTI	ANTIVIBRATION PADS	ANTIVIBRATOIRES	SCHWINGUNGSDÄMPFER	AMORTIGUADORES	PODKŁADKI ANTYWIBRACYJNE
12**	SISTEMA DI VENTILAZIONE	COOLING FANS	VENTILATEURS	QUERSTROMLÜFTER	VENTILADORES	ZESTAW WENTYLATORÓW
13**	CASSETTA AUSILIARI VENTILATORI	AUXILIARY CIRCUIT BOX FANS	BOÎTE AUXILIAIRES POUR VENTILATEURS	ANSCHLUSSKASTEN QUERSTROMLÜFTER	CAJA AUXILIAR PARA VENTILADORES	SKRZYŃKA Z ZACISKAMI WENTYLATORÓW

** => OPTIONAL

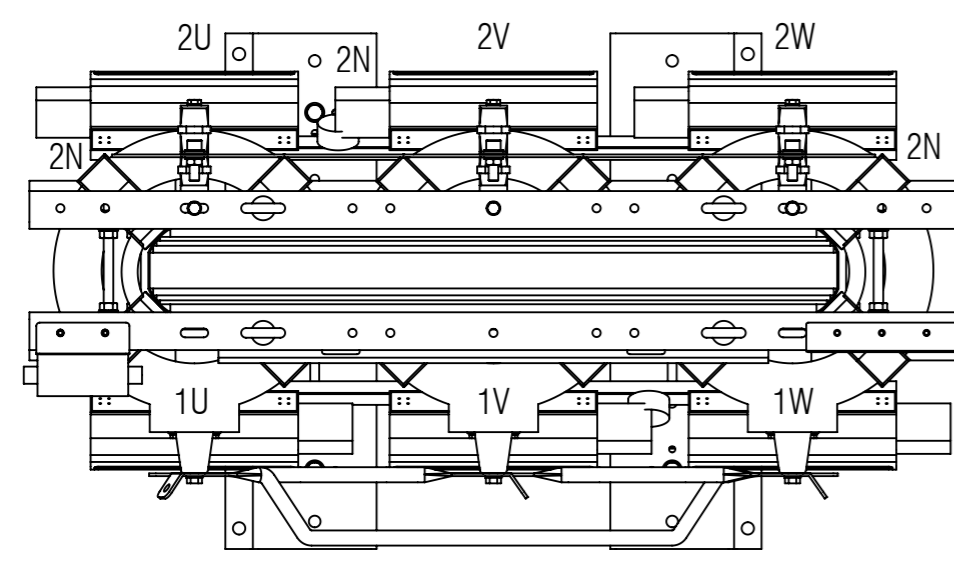
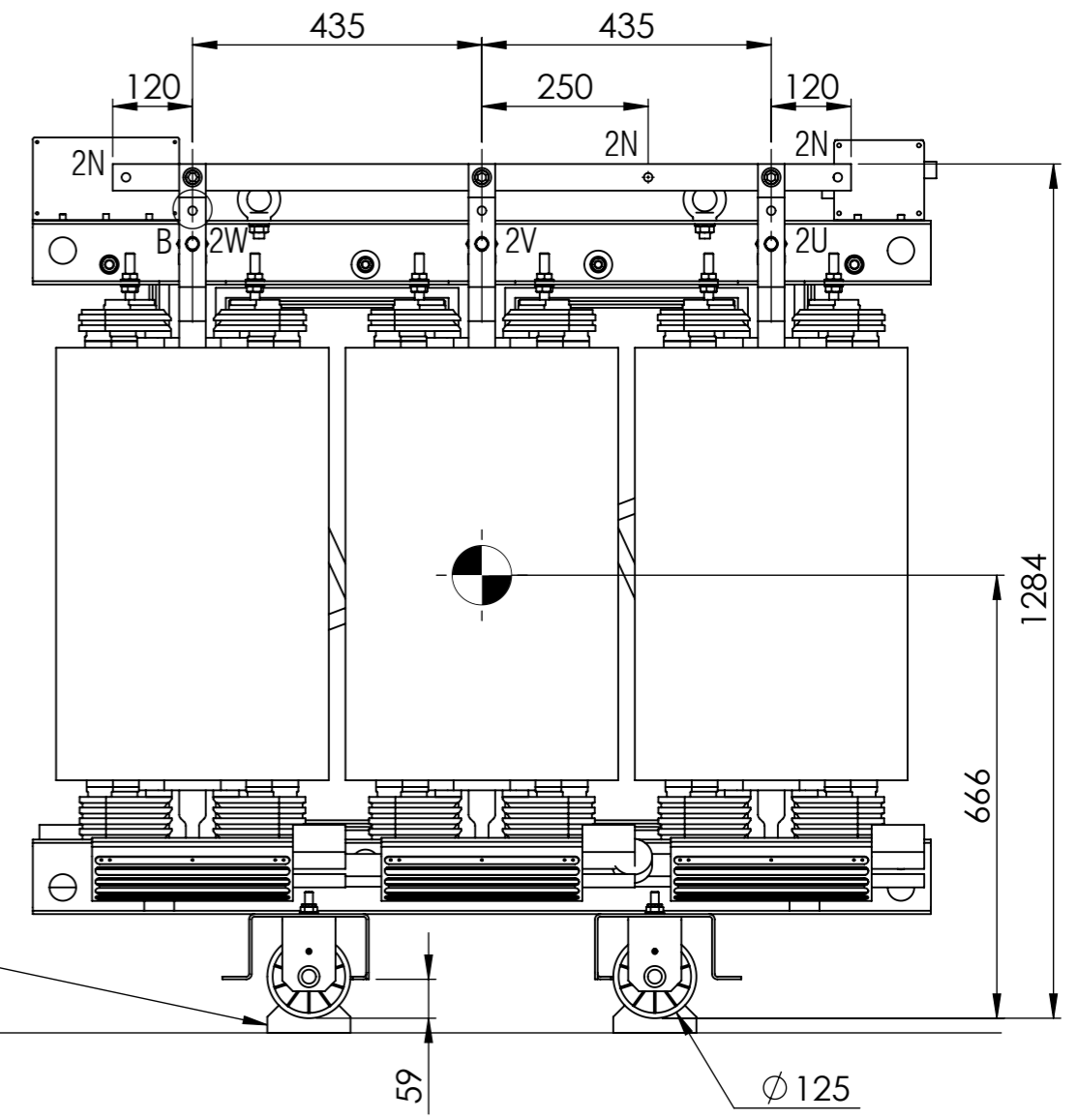
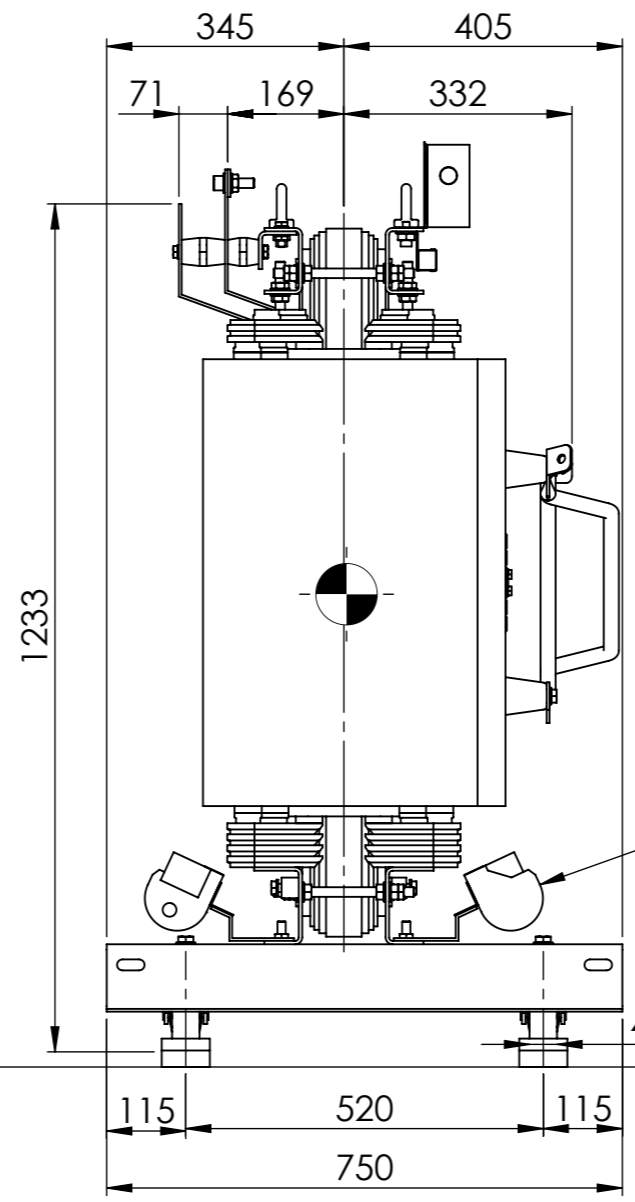
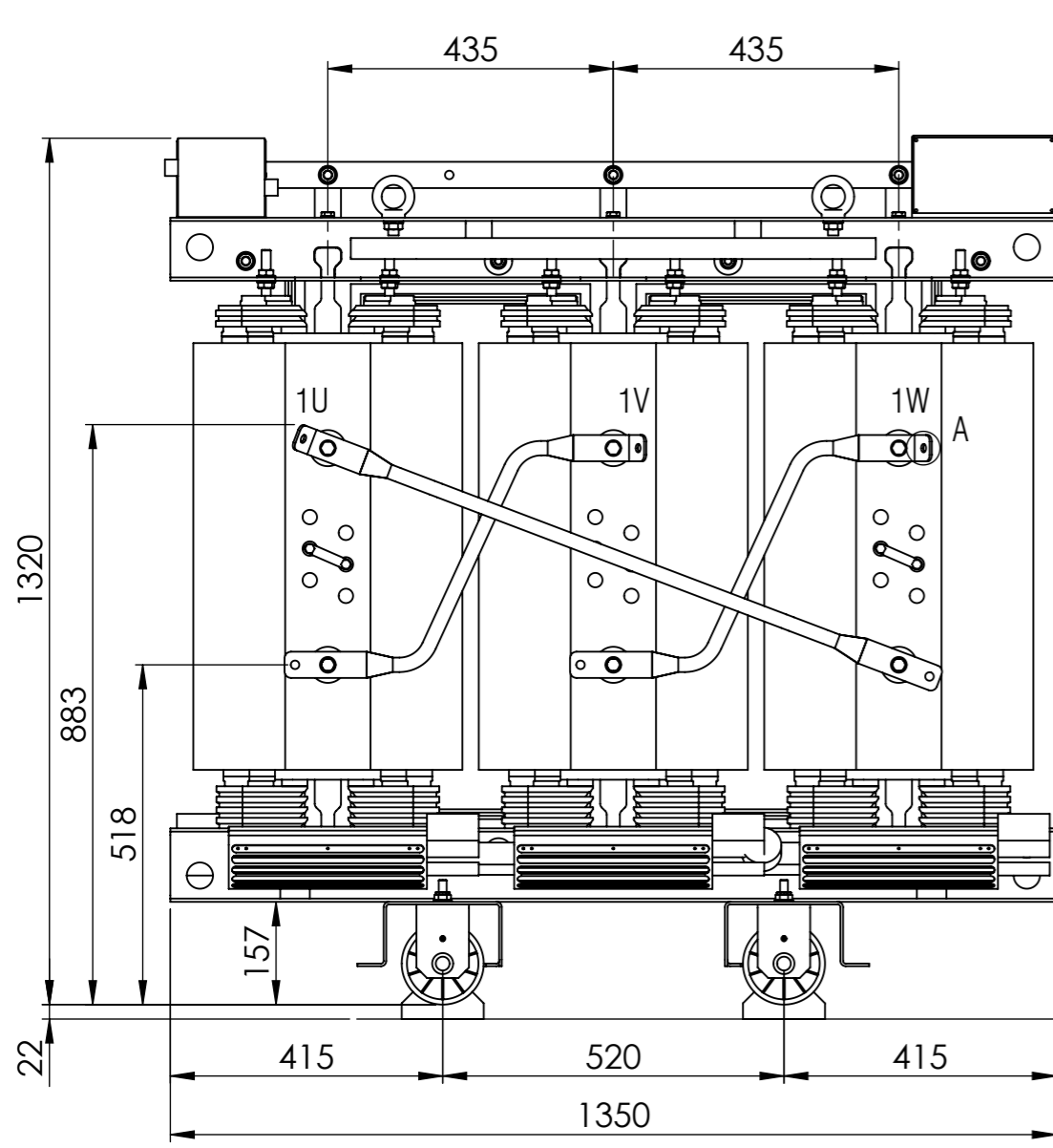
	03					
	02					
	01					
	00	Emissione / Issue	30/11/2020	Campitelli	Fantozzi	
Massa in kg A3 Dim. in mm	Scala 1:12	Rev	Modifica / Modification	Data / Date	Dis. / Drawn	Contr. / Checked
Riproduzione vietata. Tutti i diritti sono riservati. / All rights reserved.						

bticino
A Group Brand | **legrand**

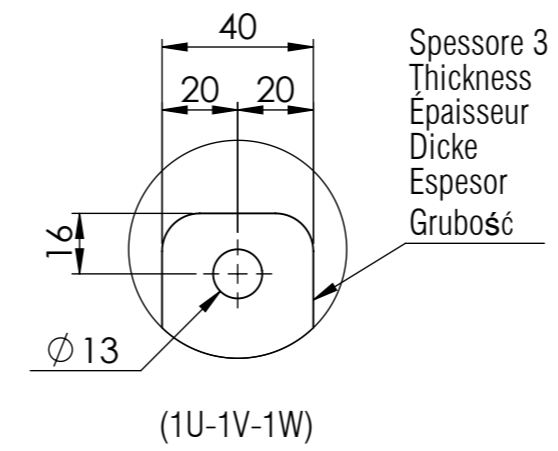
Bticino Spa
Via Enzo Ferrari, 64020
Castellalto (TE) - Italy

Tipo Disegno / Drawing Type
INGOMBRO / OUTLINE DIMENSIONS
ENCOMBREMMENT / ABMESSUNGEN
PLANO GENERAL / WYMIARY

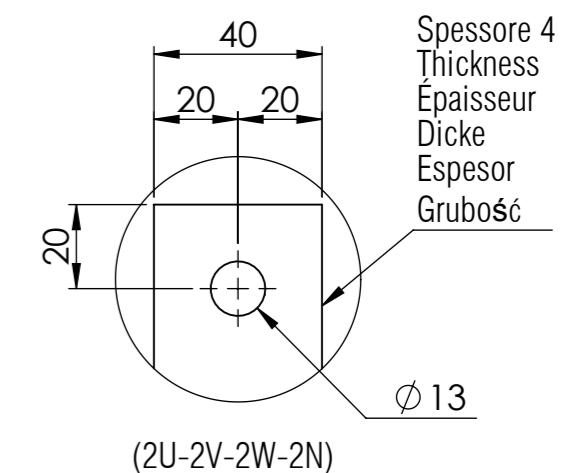
Ref.	IP00	IP RAL	Numero Disegno / Drawing N°	Foglio/Sheet
Potenza Rating	100	(kVA)	1	1
Tensioni Voltages		50 (Hz)	IN_HB4AIA	di/of
		Gruppo Group		4
GENERAL TOLERANCES + / - 20mm				



Dettaglio / Detail / Détail / Detail / Detalle / Szczegół A
 Terminali MT / HV Terminals / Bornes HT / OS Anschlüsse / Terminales MT / Zaciski SN



Dettaglio / Detail / Détail / Detail / Detalle / Szczegół B
 Terminali BT / LV Terminals / Bornes BT / US Anschlüsse / Terminales BT / Zaciski NN



** => OPTIONAL

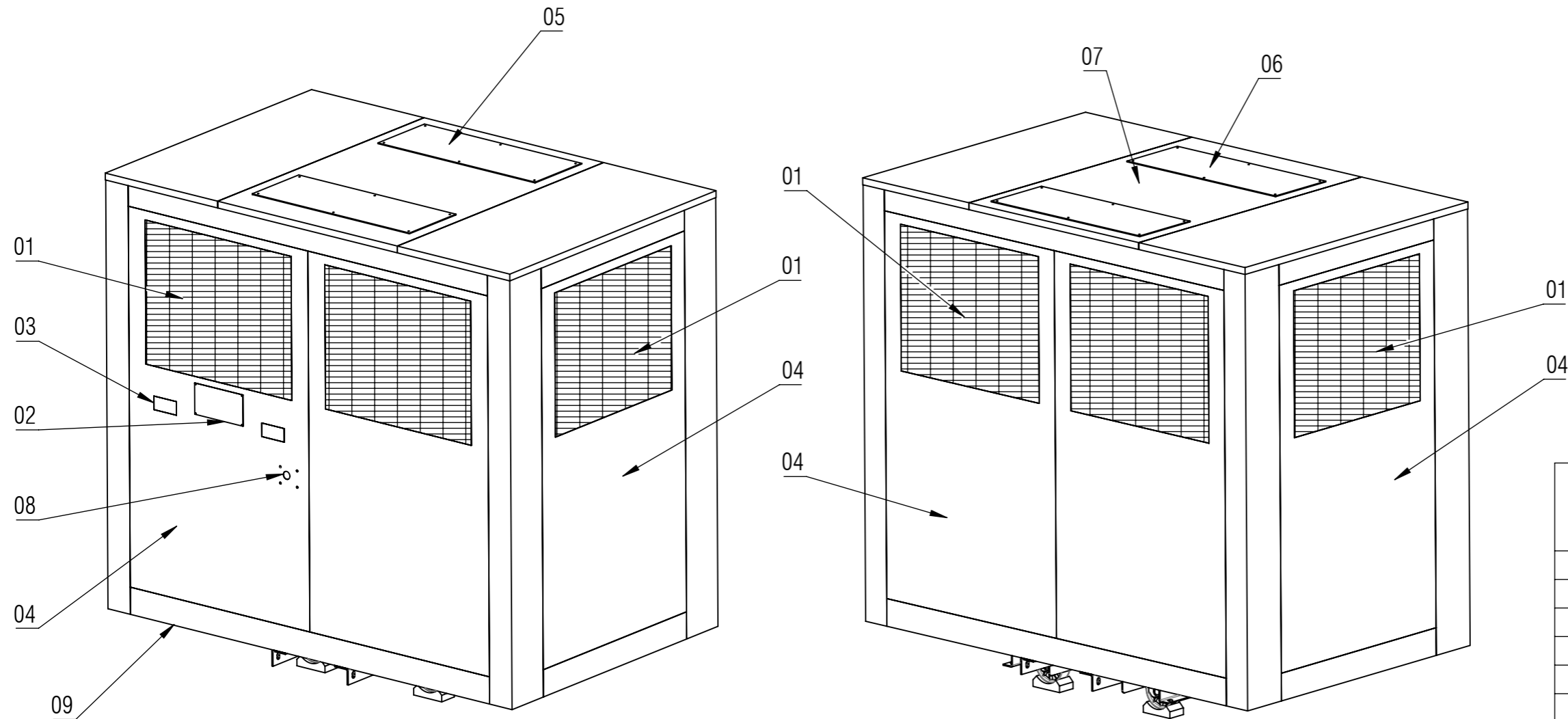
	03				
	02				
	01				
	00	Emissione / Issue	30/11/2020	Campitelli	Fantozzi
Massa in kg A3 Dim. in mm	Scala 1:11	Rev	Modifica / Modification	Data / Date	Dis. / Drawn
Riproduzione vietata. Tutti i diritti sono riservati. / All rights reserved.					

bticino
 A Group Brand | **legrand**

Bticino Spa
 Via Enzo Ferrari, 64020
 Castellalto (TE) - Italy

Tipo Disegno / Drawing Type
INGOMBRO / OUTLINE DIMENSIONS
ENCOMBREMMENT / ABMESSUNGEN
PLANO GENERAL / WYMIARY

Ref.	IP00	IP RAL	Numero Disegno / Drawing N°	Foglio/Sheet
Potenza Rating	100	(kVA)	50 (Hz)	2
Tensioni Voltages		(V)	Gruppo Group	4
GENERAL TOLERANCES + / - 20mm				



HV SIDE

LV SIDE

Ref.	RATED VOLTAGE RATIO	IP31/23
HB4AIAGB*	20000 ± 2 x 2.5% / 400	1040/1050
HB4AIA GP*	20000 ± 2 x 2.5% / 410	1040/1050
HB4AIA GD*	20000 ± 2 x 2.5% / 420	1040/1050
HB4AIAWB*	21000 ± 2 x 2.5% / 400	1060/1070
HB4AIAWD*	21000 ± 2 x 2.5% / 420	1060/1070
HB4AIAKB*	22000 ± 2 x 2.5% / 400	1060/1070
HB4AIAKD*	22000 ± 2 x 2.5% / 420	1060/1070
HB4AIAHB*	23000 ± 2 x 2.5% / 400	1080/1090

Ref.	IP	RAL	
BX31H1	31	7035	160
BX23H1	23	7035	170

ITEM	DESCRIZIONE (IT)	DESCRIPTION (EN)	DESCRIPTION (FR)	BESCHREIBUNG (DE)	DESCRIPCION (ES)	DESCRIPTION (PL)
01	GRIGLIE D'AREAIZIONE	AIR GRATE	GRILLE D'AERATION	BELÜFTUNGSKIEMEN	REJILLA DE VENTILACIÓN	KRATKA WENTYLACYJNA
02	TARGA DATI NOMINALI	RATING PLATE	PLAQUE SIGNALÉTIQUE	LEISTUNGSSCHILD	PLACA DE CARACTERÍSTICAS	TABLICZKA ZNAMIONOWA
03	MANIGLIE PER RIMOZIONE PANNELLO	HANDLE FOR REMOVAL PANEL	POIGNEES SUR LES PANNEAUX	HANDGRIFFE FÜR ABNEHMBARE ABDECKUNGEN	MANILLAS PARA APERTURA DEL PANEL	UCHWYTY DO DEMONTAŻU PANELU
04	PANNELLI ASPORTABILI	REMOVABLE PANELS	PANNEAUX AMOVIBLES	ABNEHMBARE ABDECKUNGEN	PANELES EXTRAIBLES	PANEL ZDEJMOWANY
05	PIASTRA AMAGNETICA PER INGRESSO CAVI BT	NO MAGNETIC PLATE FOR LV CABLE	PLAQUE AMAGNÉTIQUE POUR ENTRÉE DES CÂBLES BT	US KABELINGANGSFLANSCH	PLACA NO MAGNETICA PARA ENTRADA DE CABLES BT	NIEMAGNETYCZNY PRZEPUST DLA KABLI NN
06	PIASTRA AMAGNETICA PER INGRESSO CAVI MT	NO MAGNETIC PLATE FOR HV CABLE ENTRY	PLAQUE AMAGNÉTIQUE POUR ENTRÉE DES CÂBLES HT	OS KABELINGANGSFLANSCH	PLACA NO MAGNETICA PARA ENTRADA DE CABLES MT	NIEMAGNETYCZNY PRZEPUST DLA KABLI SN
07	APERTURA PER SOLLEVAMENTO TRAFI + BOX	LIFTING OPENING TRANSF. + ENCLOSURE	OUVERTURE POUR LEVAGE DU TRANSF. + ENVELOPPE	HEBEVORRICHTUNG FÜR TRAFI + GEHÄUSE	ABERTURA PARA ELEVACIÓN TRAFI+BOX	ZDEJMOWANA POKRYWA W CELU PODNOSZENIA TRAFI I OBUDOWY
08	PREDISPOSIZIONE PER SERRATURA AREL	AREL LOCK PREDISPOSITION	PRÉDISPOSITION VERROUILLAGE AREL	VORBEREITUNG FÜR AREL-SCHLOSS	PREDISPOSICIÓN BLOQUEAR AREL	PRZYGOTOWANE MIEJSCE NA ZAMEK
09	FONDO IP20	BOTTOM STEEL PLATE IP20	FONDS IP20	STAHLGITTERBODEN IP20	FONDO IP20	DOLNY PANEL STALOWA IP20

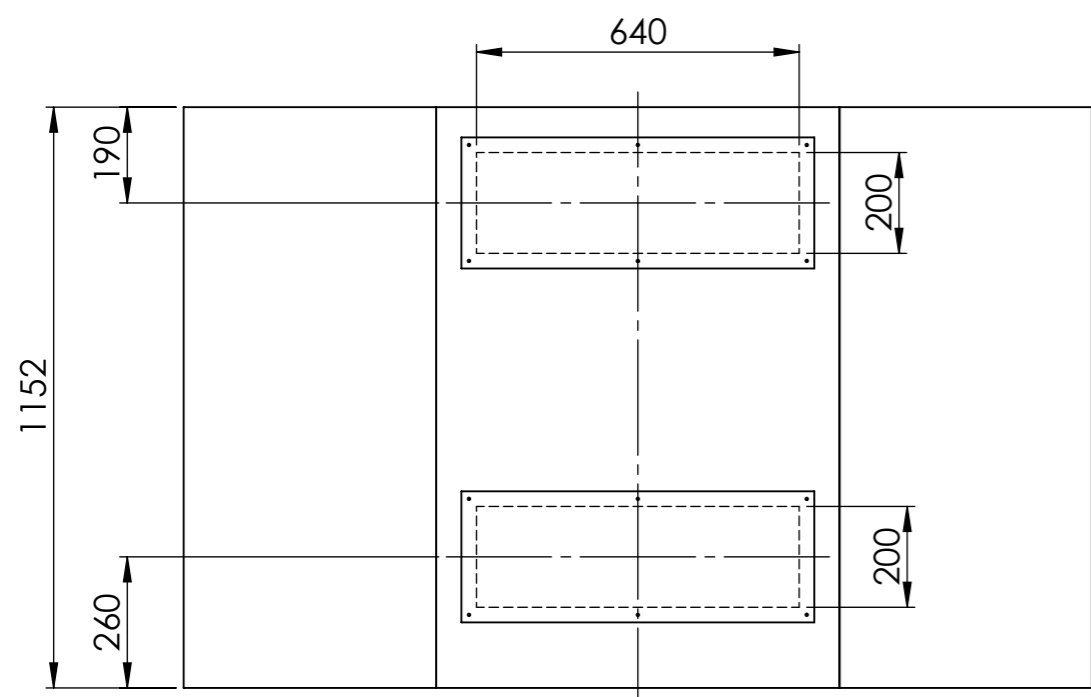
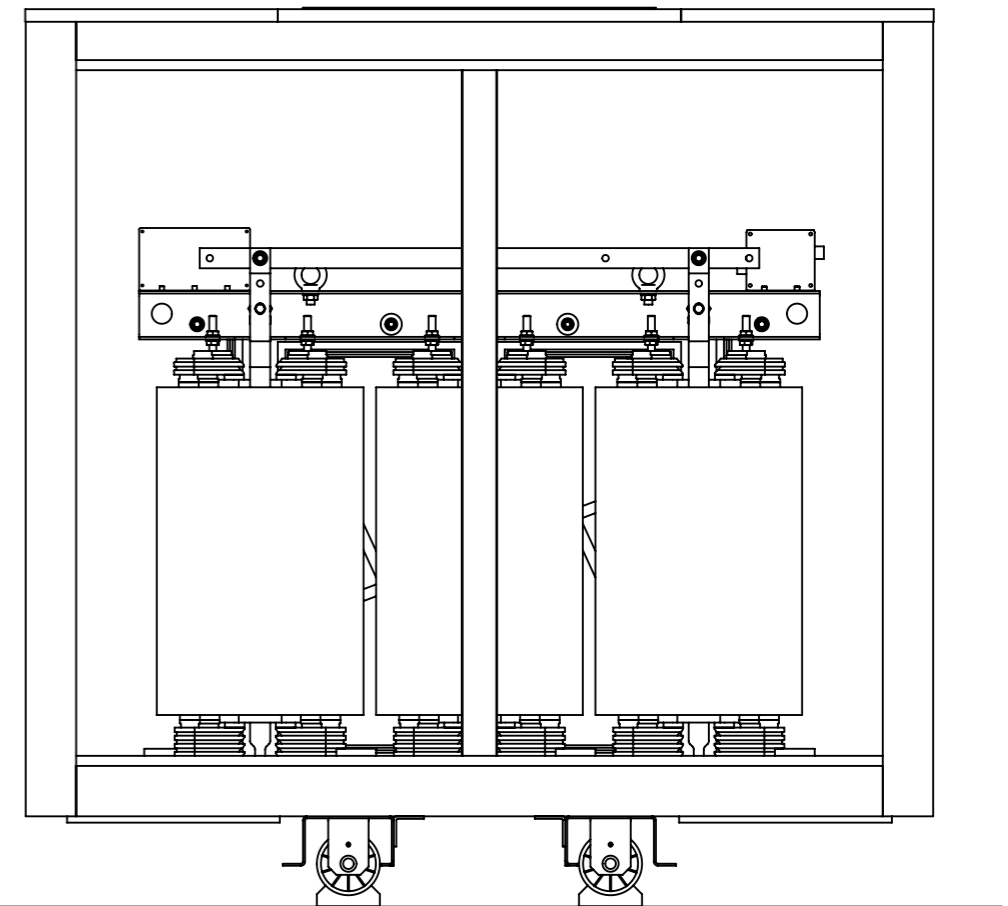
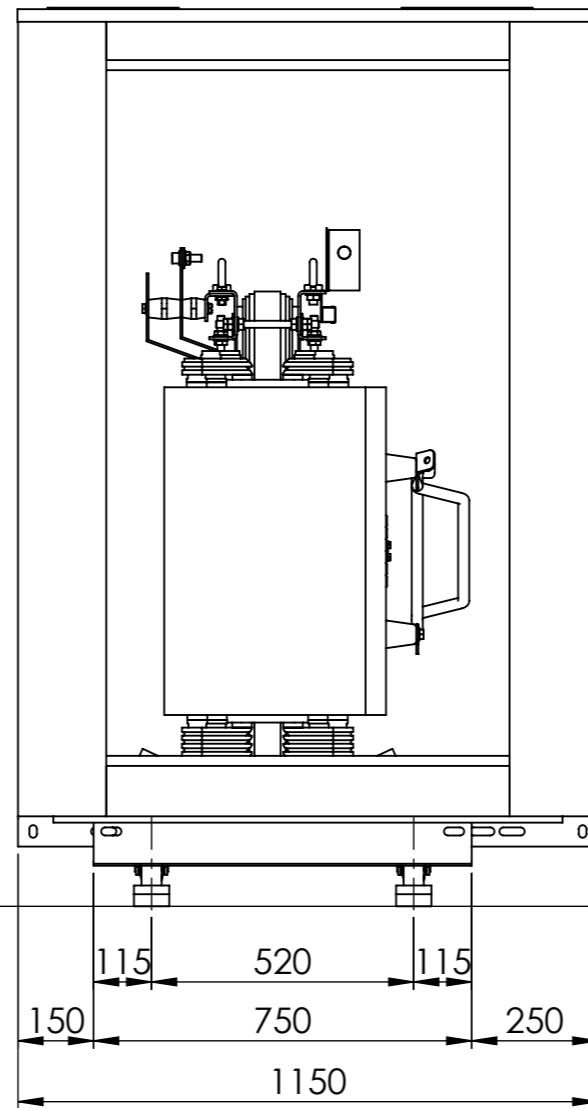
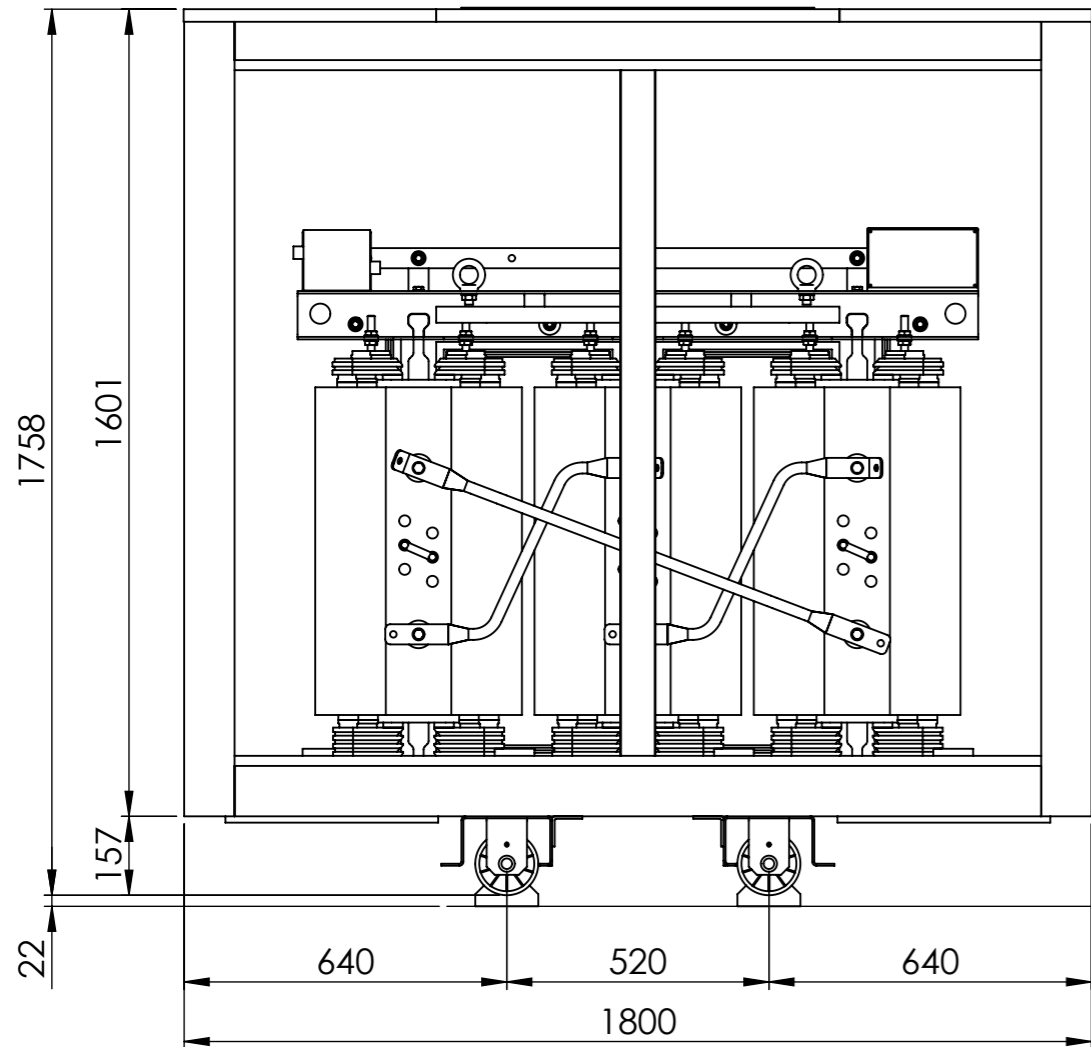
	03					
	02					
	01					
	00	Emissione / Issue	30/11/2020	Campitelli	Fantozzi	
Massa in kg A3 Dim. in mm	Scala 1:18	Rev	Modifica / Modification	Data / Date	Dis. / Drawn	Contr. / Checked
Riproduzione vietata. Tutti i diritti sono riservati. / All rights reserved.						

bticino Bticino Spa
Via Enzo Ferrari, 64020
Castellalto (TE) - Italy

A Group Brand

Tipo Disegno / Drawing Type
INGOMBRO / OUTLINE DIMENSIONS
ENCOMBREMMENT / ABMESSUNGEN
PLANO GENERAL / WYMIARY

Ref.	IP00	IP RAL	Numero Disegno / Drawing N°	Foglio/Sheet
Potenza Rating	100	(kVA)	50 (Hz)	3
Tensioni Voltages		(V)	Gruppo Group	4
GENERAL TOLERANCES + / - 20mm				



	03					
	02					
	01					
	00	Emissione / Issue	30/11/2020	Campitelli	Fantozzi	
Massa in kg A3 Dim. in mm	Scala 1:15	Rev	Modifica / Modification	Data / Date	Dis. / Drawn	Contr. / Checked
Riproduzione vietata. Tutti i diritti sono riservati. / All rights reserved.						

bticino
A Group Brand | **legrand**

Bticino Spa
Via Enzo Ferrari, 64020
Castellalto (TE) - Italy

Tipo Disegno / Drawing Type
INGOMBRO / OUTLINE DIMENSIONS
ENCOMBREMENT / ABMESSUNGEN
PLANO GENERAL / WYMIARY

Ref.	IP00	IP RAL	Numero Disegno / Drawing N°	Foglio/Sheet
Potenza Rating	100	(kVA)	Freq. 50 (Hz)	4
Tensioni Voltages		(V)	Gruppo Group	4
GENERAL TOLERANCES + / - 20mm				