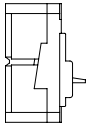
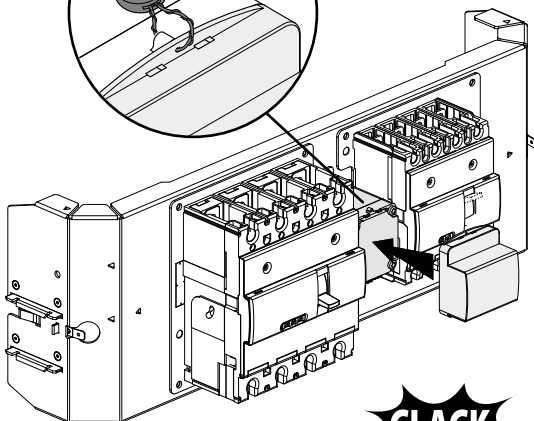
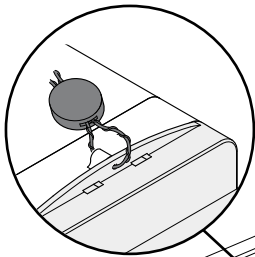
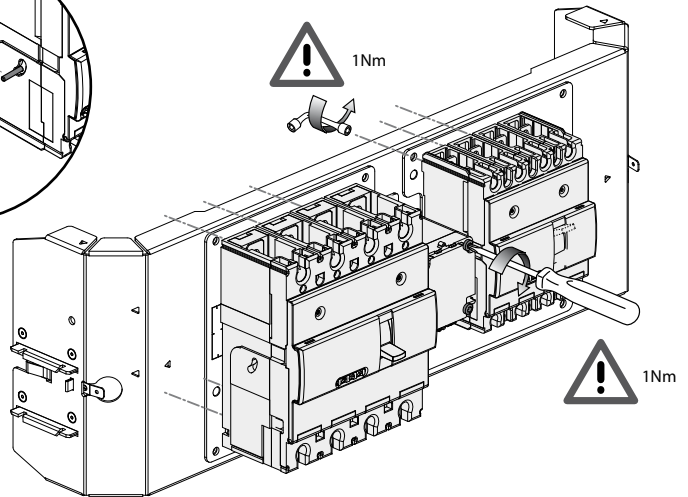
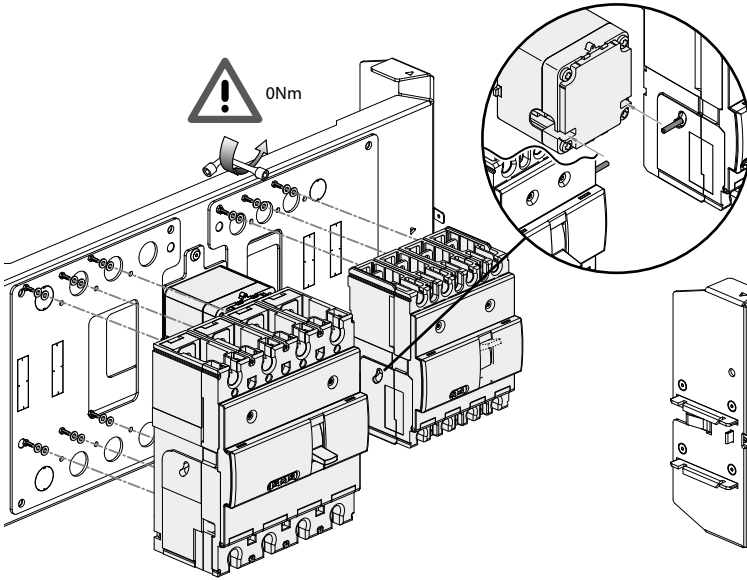
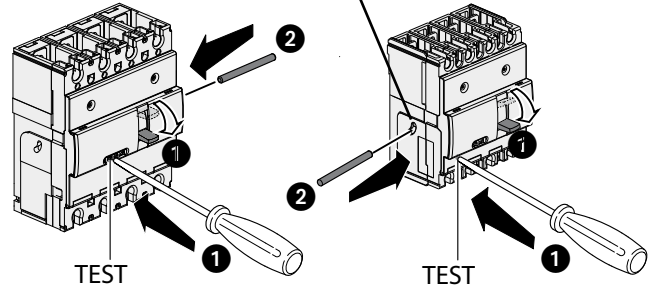
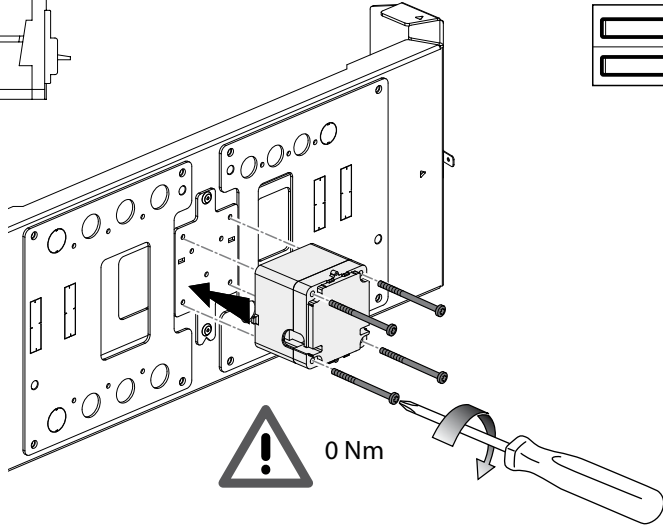
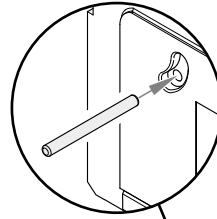


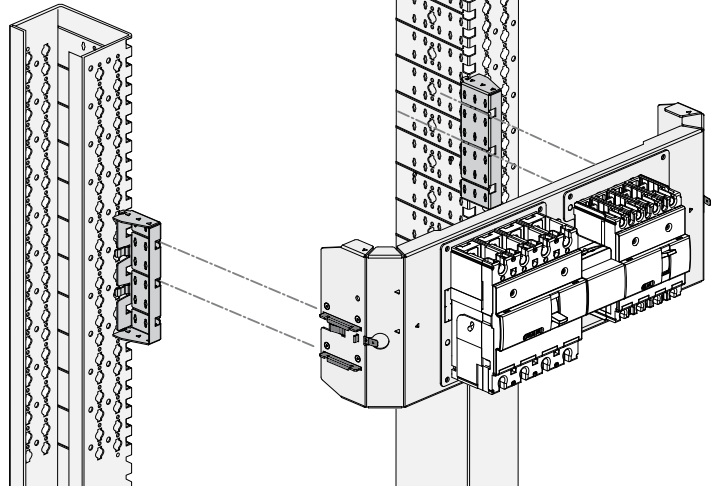
M1-160
M2-250



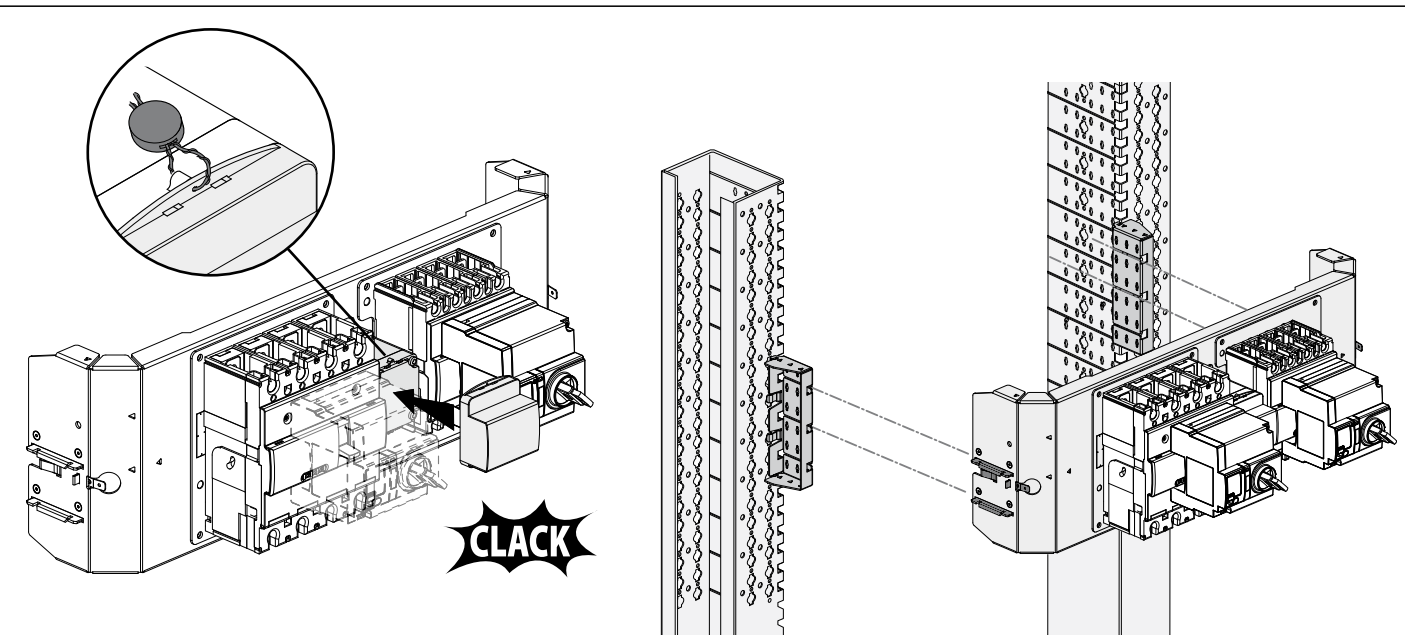
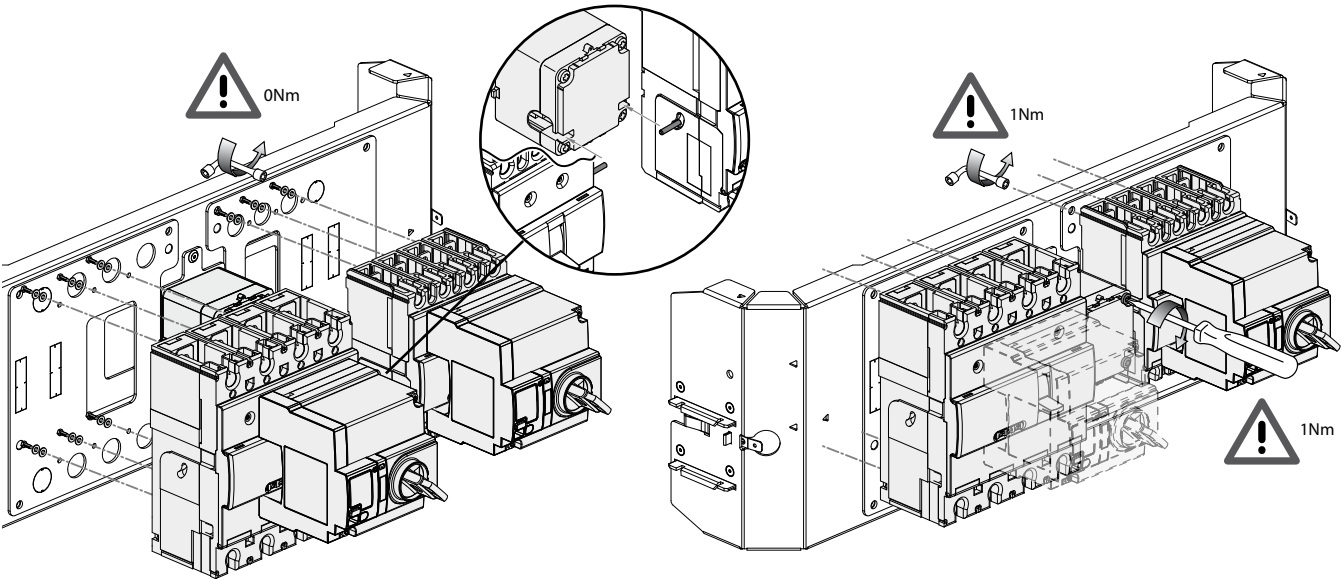
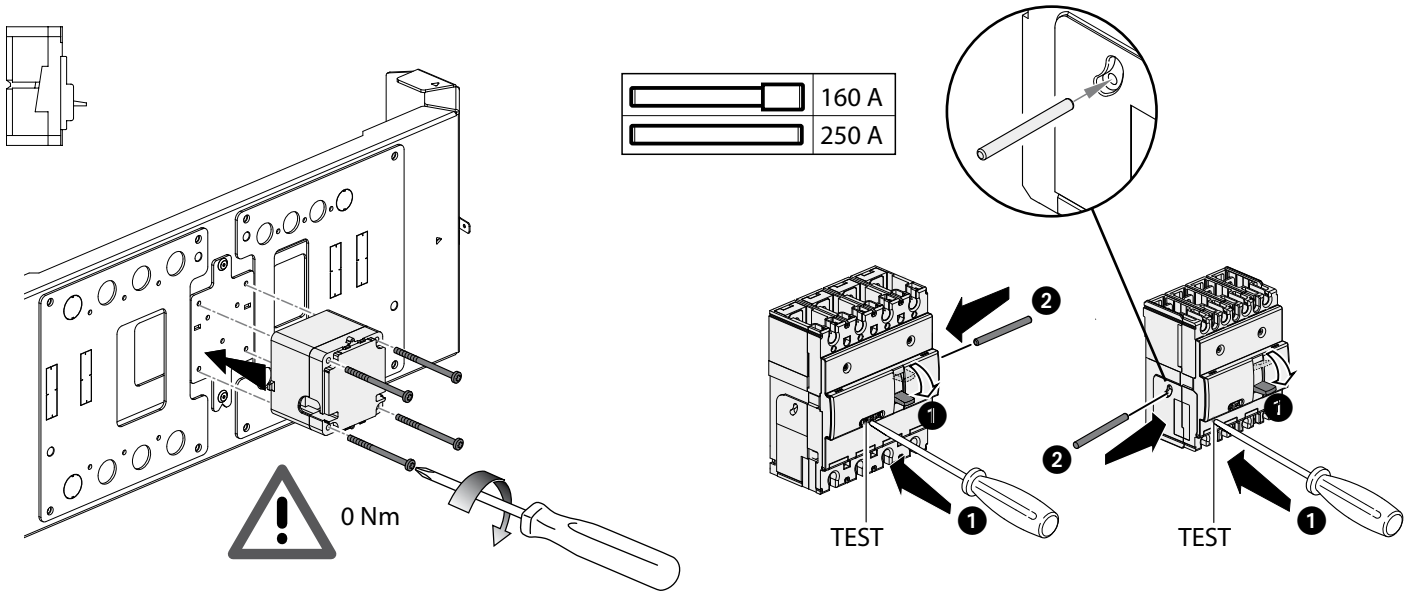
	160 A
	250 A



CLACK



M1-160
M2-250



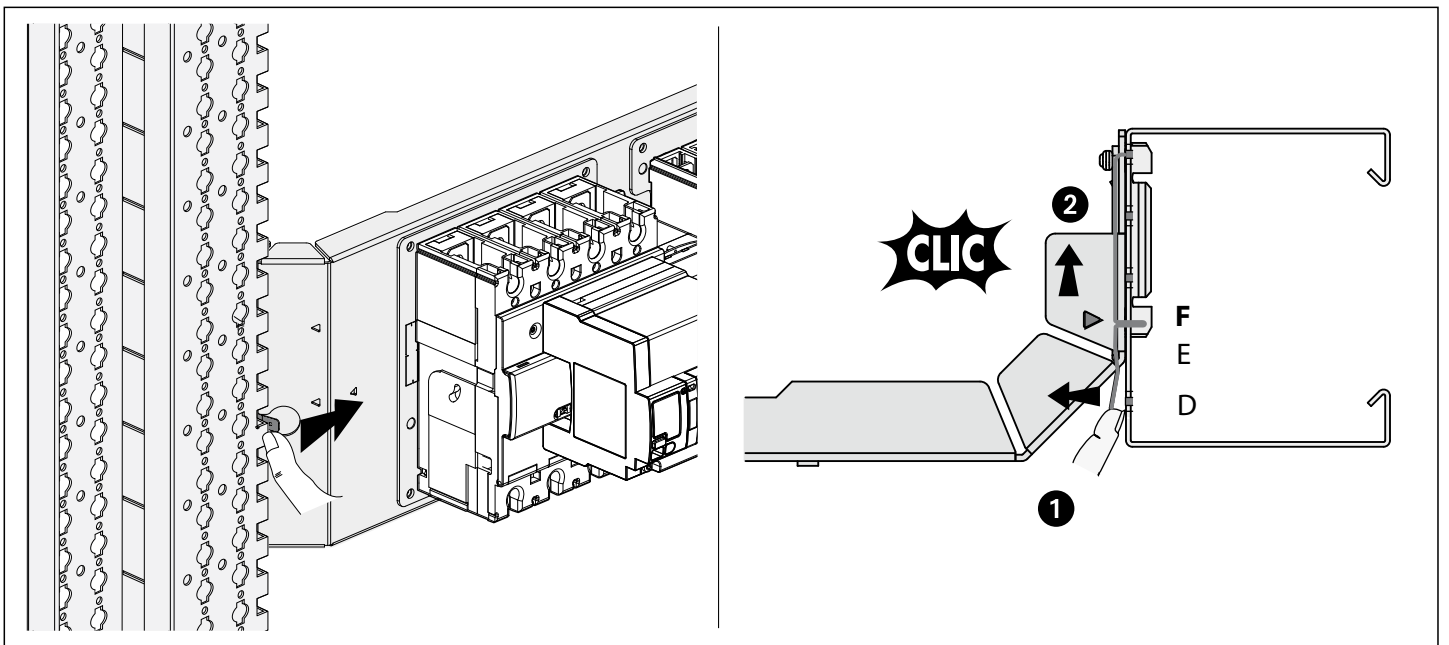
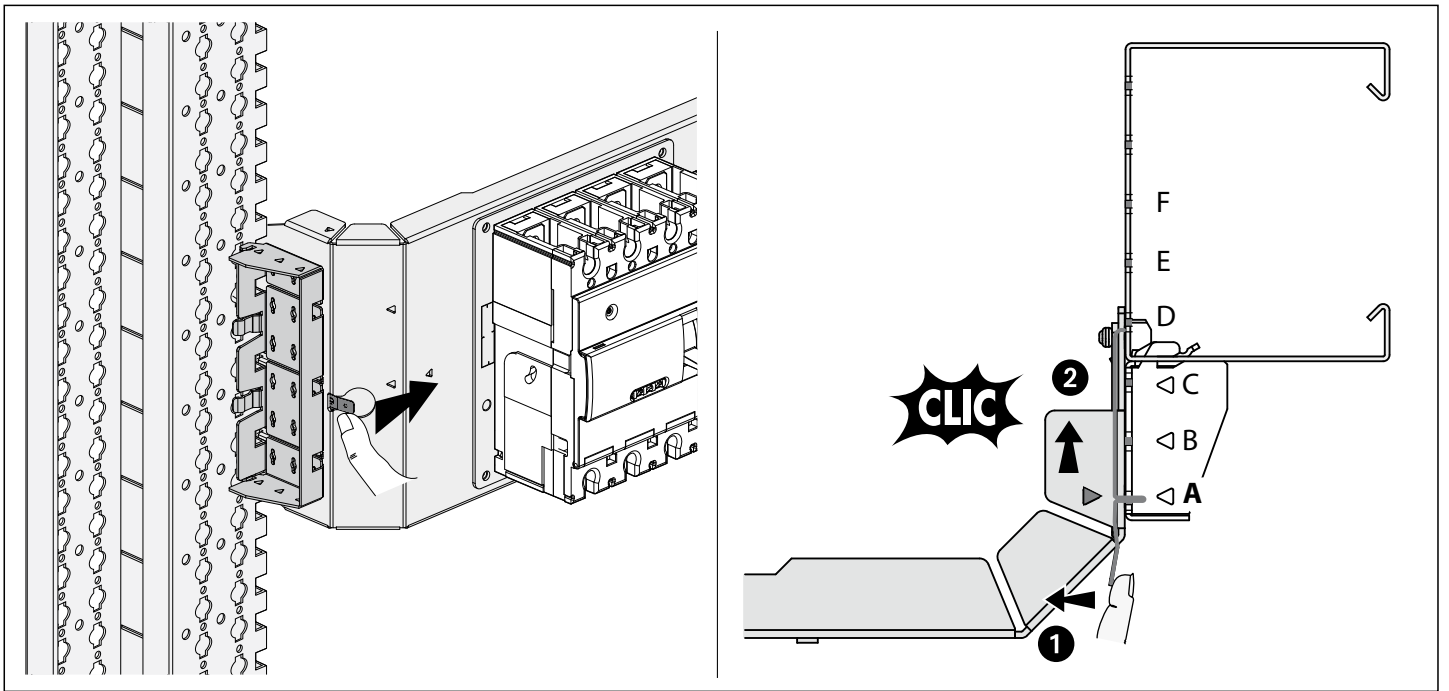


Diagram illustrating the installation of a terminal block into a rack. The left part shows a hand sliding the terminal block into the rack. The right part shows a close-up of the terminal block being pushed into the rack with a "CLIC" sound effect. Labels A, B, C, D, E, and F indicate different positions or components.

	M1-160	M2-250
	300	300
	A	A
	F	F