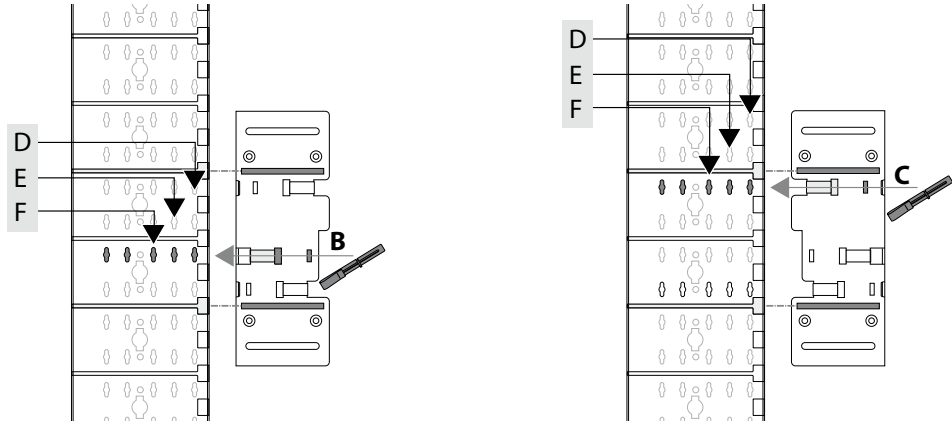
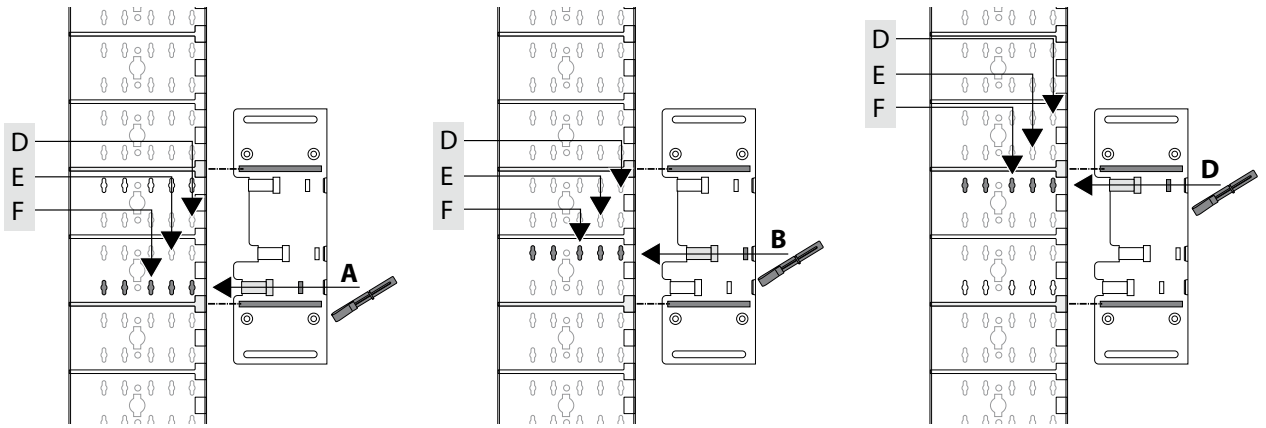


M1-160
M2-250



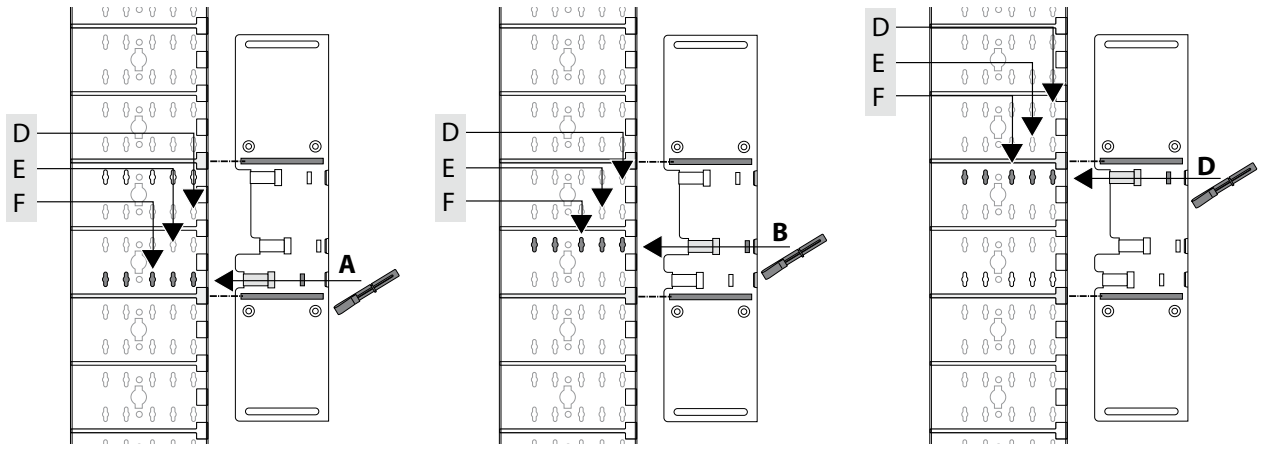
		C		 H = 200 mm
		E		
		B		 H = 200 mm
		F		

M250



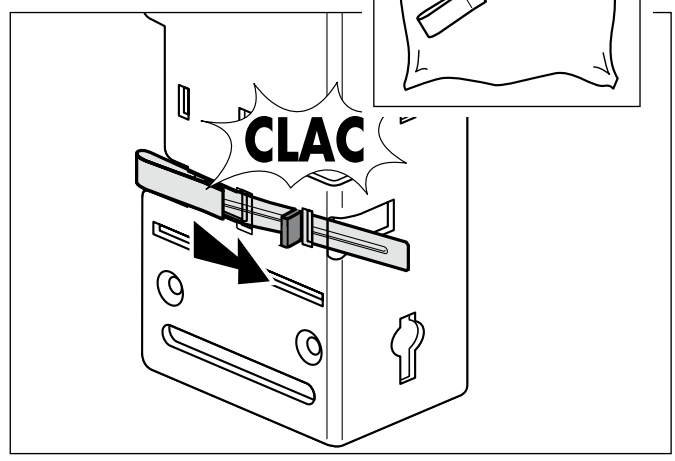
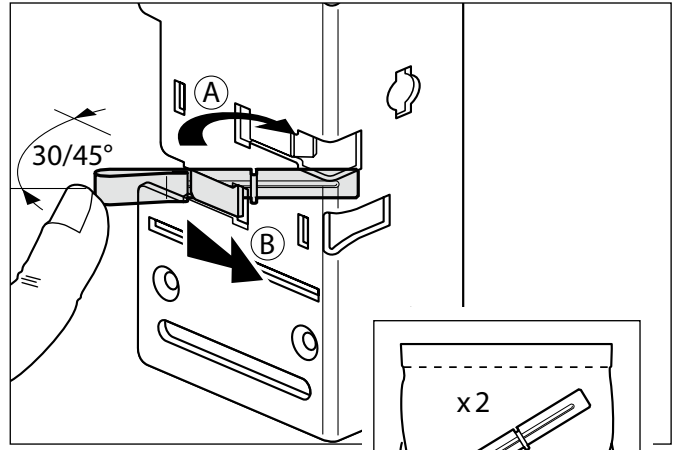
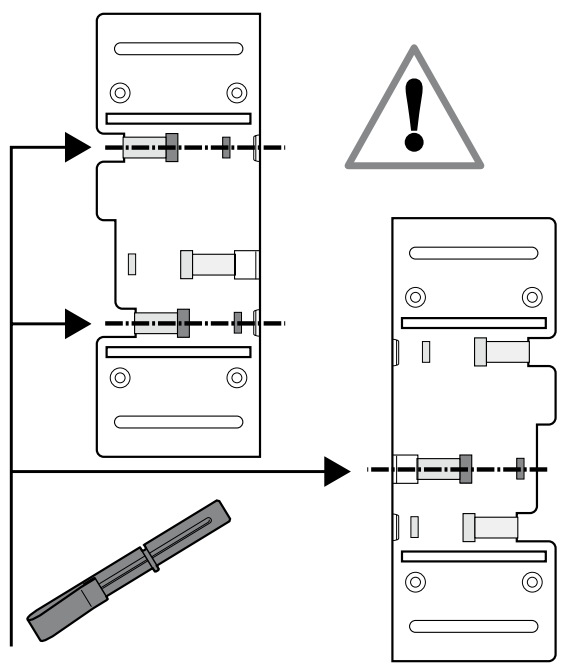
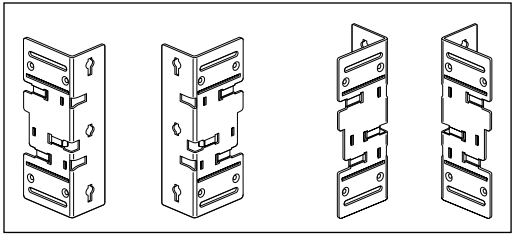
		A		 H = 200 mm
		D		
		D		 H = 200 mm
		F		
		B		 H = 200 mm
		F		

M630

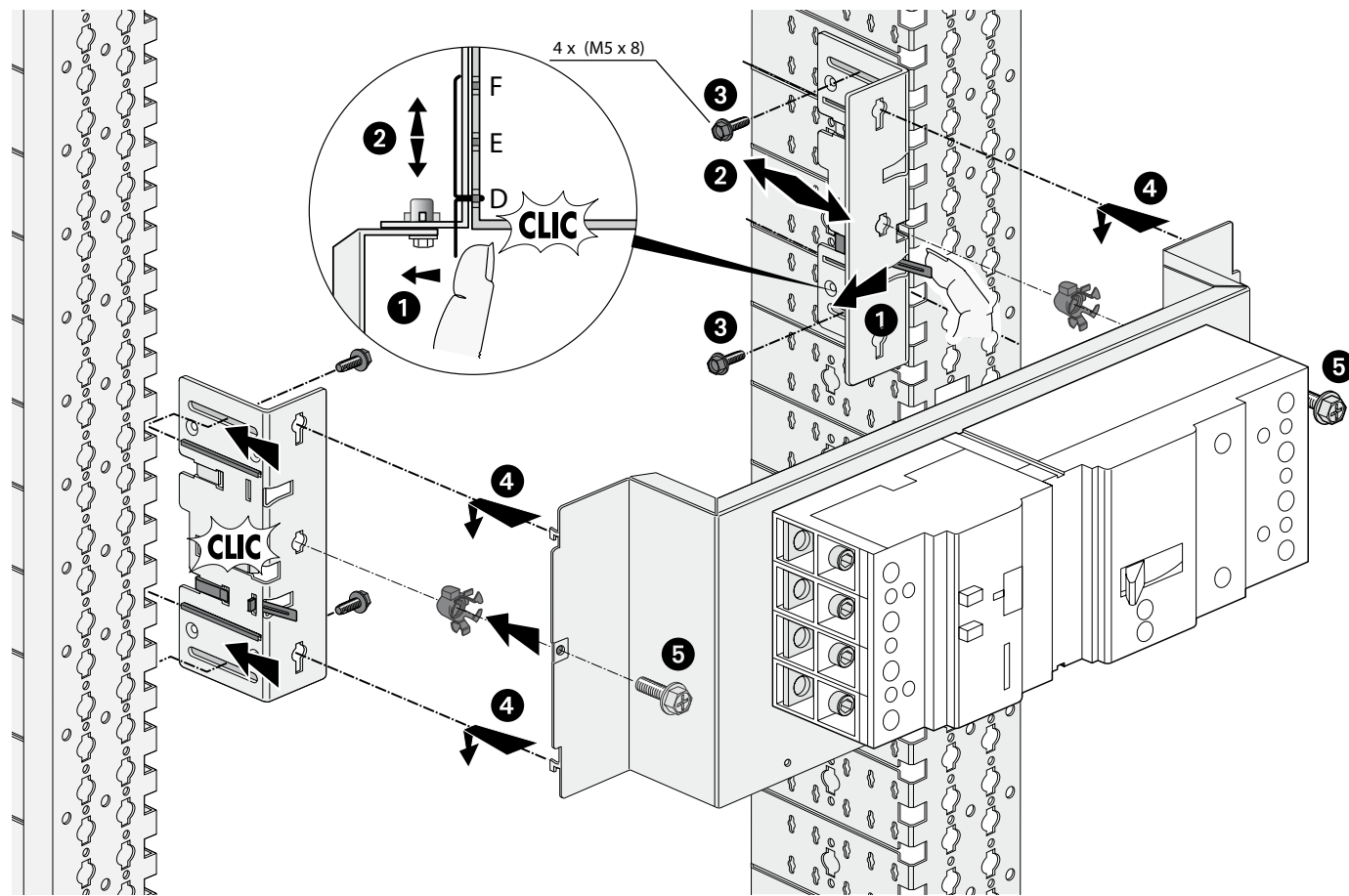


	<p>A</p>	
	<p>D</p>	<p>H = 300 mm</p>
	<p>B</p>	

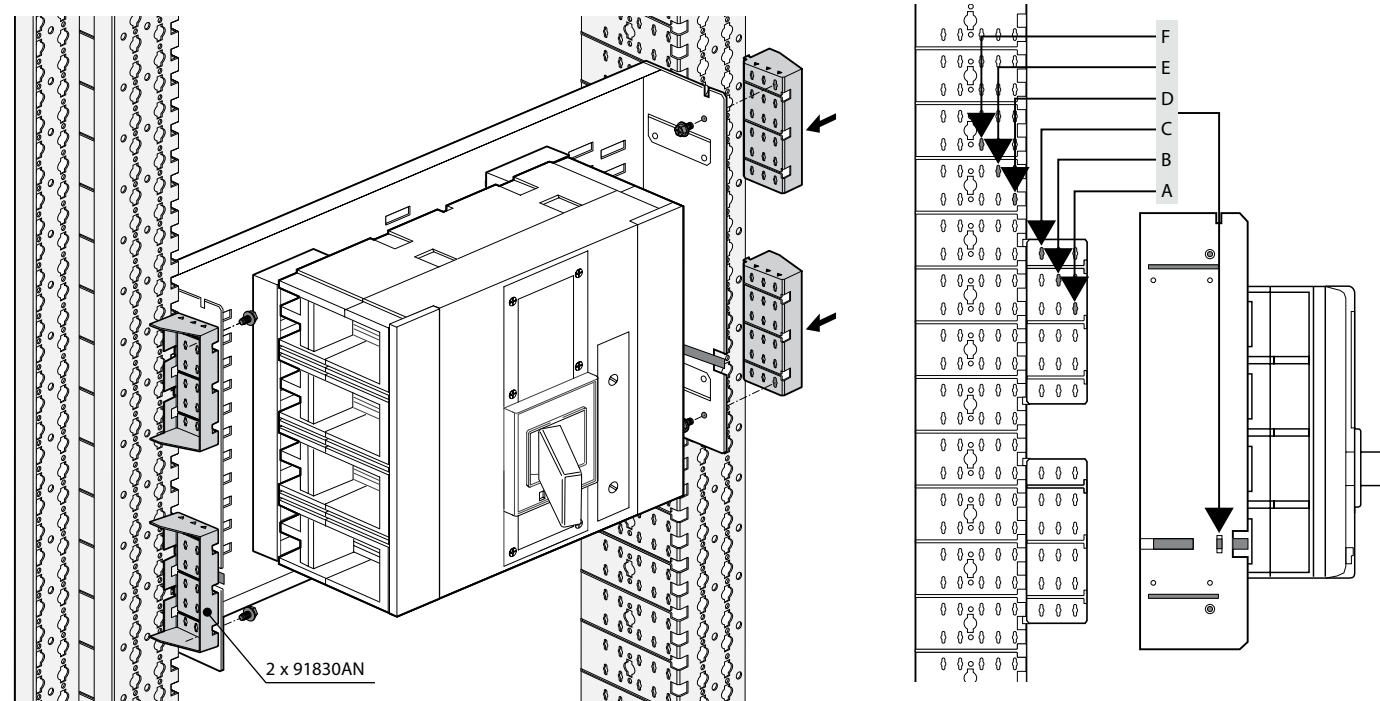
1



2



M1600



M1600	B	B	E	400 mm