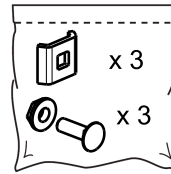
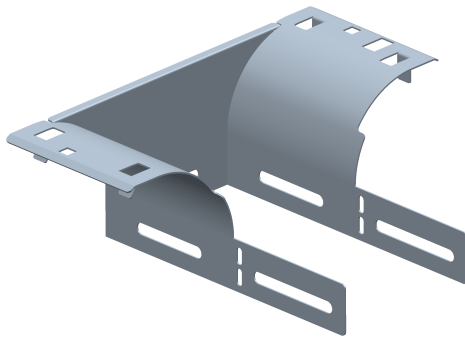
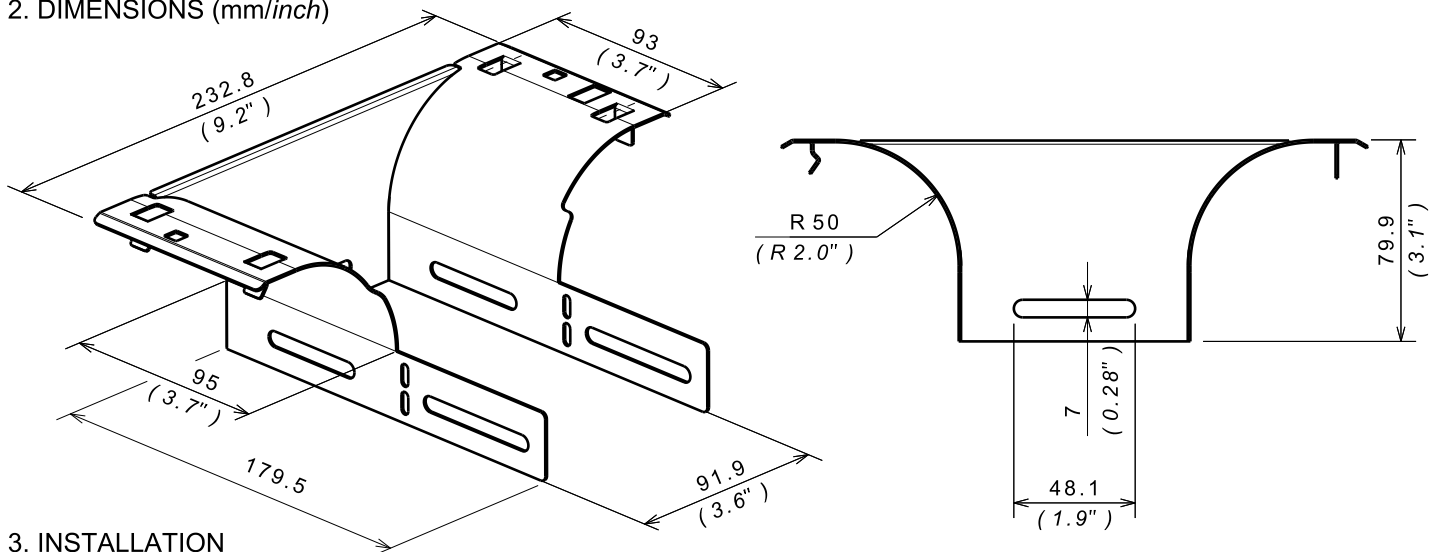


**CDO100KIT
CENTER DROP OUT KIT**

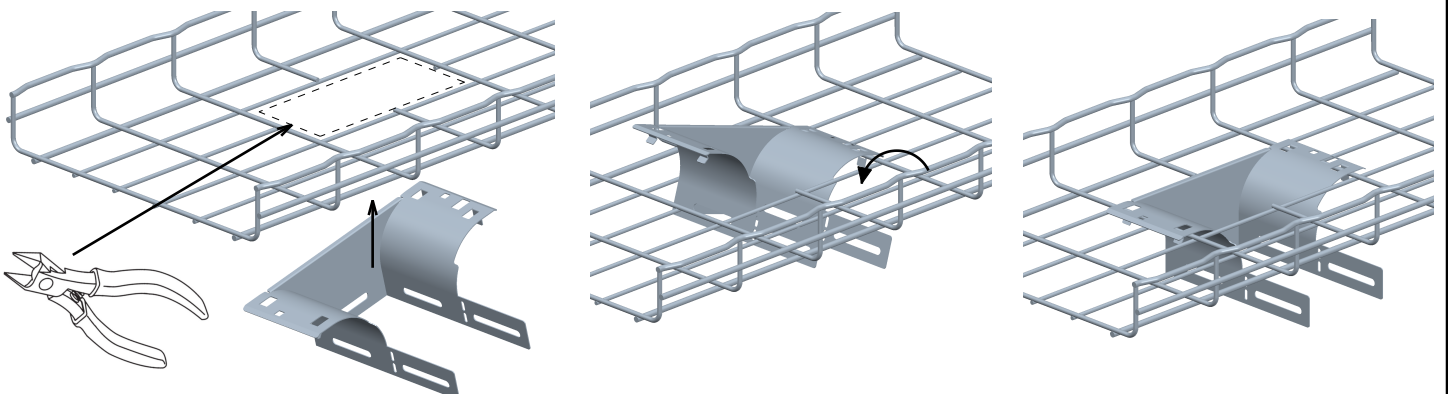
Reference(s) : 945 245 ; 945 246


1. GAMME / RANGE

Designation	Code	Poids / Weight (Kg) (lb)		Epaisseur / Thickness (mm) (inch)		Matière / Material	Norme / Standard	Finition / Coating	Classe de résistance contre la corrosion/ Resistance class against corrosion
CDO100KITEZ - CENTERDROPOUT	945 245	0.35	0.77	0.95	0.037	DC 01	EN 10 130	EZ	Class 3 / IEC 61537
									Classe d'adhésion / Class of adhesion
CDO100KITBL - CENTERDROPOUT	945 246	0.385	0.85	0.95	0.037	DC 01	EN 10 130	peinture noire / black paint	Adhésion 5B / ASTM D3359

2. DIMENSIONS (mm/inch)

3. INSTALLATION

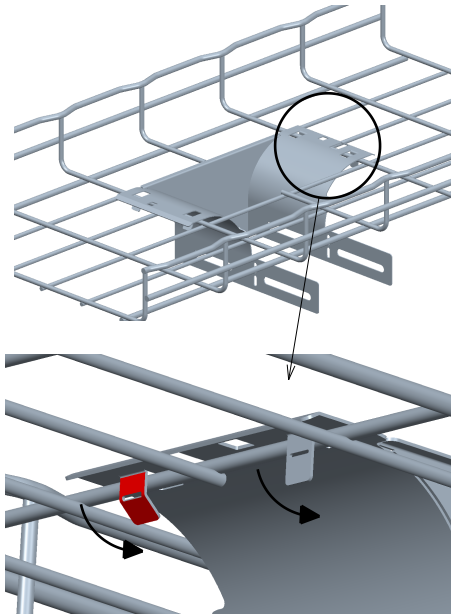

CF30 - CF54 - CF105 - CF150


 ≥ 100


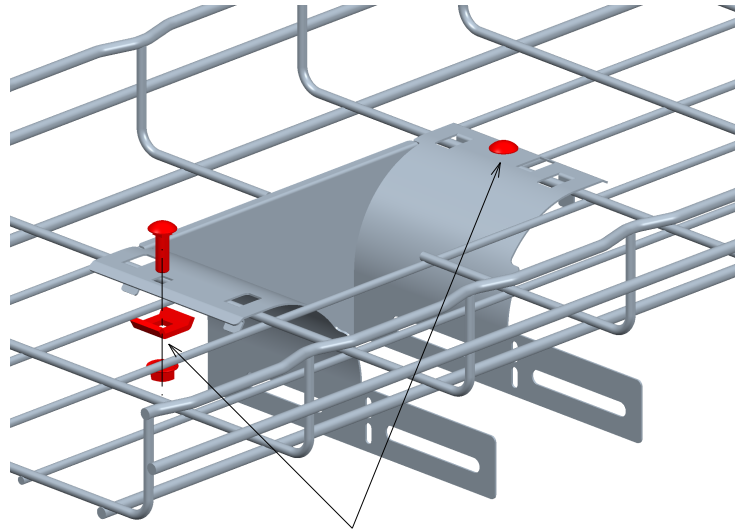
CDO100 KIT
CENTER DROP OUT KIT

Reference(s) : 945245 ; 945246

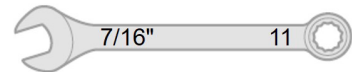
3. INSTALLATION



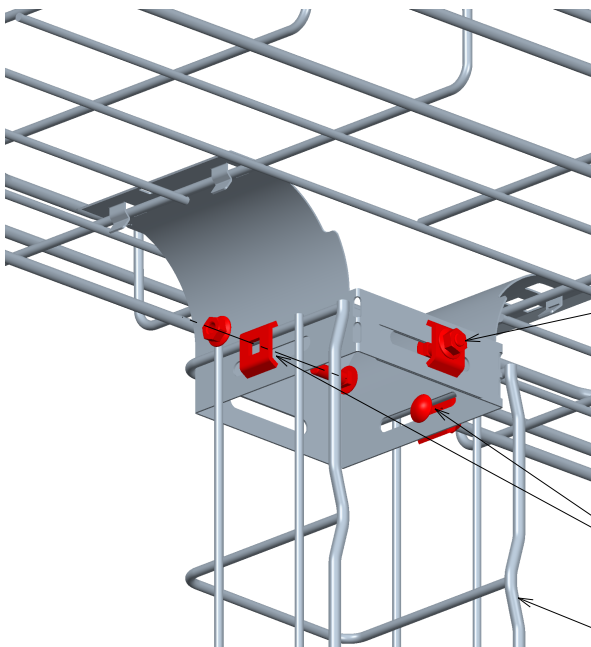
OU / OR



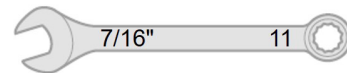
2x CE25 + 2x EZBN 1/4 (fourni / supplied)



4. INSTALLATION VERTICALE / VERTICAL MOUNTING



1x CE25 + 1x EZBN 1/4 (fourni / supplied)



2x KITFIXTR : CE25 + BTRCC6x20 (non fourni)
2x CE25 + 2x EZBN 1/4 (not supplied)

CF 54/100 ou/or CF 105/100