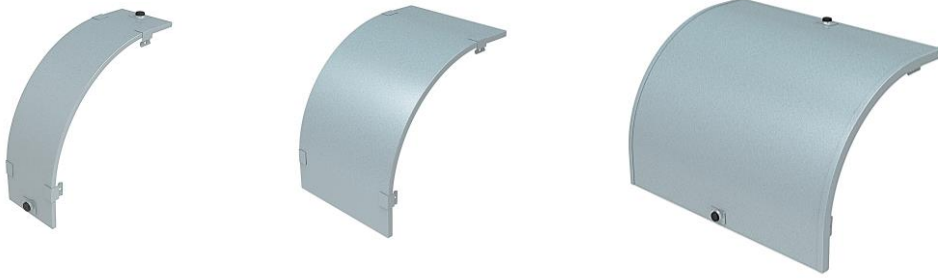


P31- COVER TWIST OUTSIDE RISER 90D

Reference(s): 4890../00/01/02/03/04/05/06/07
4890../20/21/22/23/24/25/26/27
4890../40/41/42/43/44/45/--/47
4890../60/61/62/63/64/65/66/67



1. USE

Twist outside riser Cover

2. RANGE BLIND

■ 2.1 COVER TWIST OUTSIDE RISER 90D PG

Description	Code	Width		Weight		Thickness		Coating	Earth Connector
		(mm)	(inch)	(Kg)	(lb)	(mm)	(inch)		
P31-COVER TWIST OUT RISER 90D 75 PG	489000	77	3,03	0,24	0,53	0,7	0,03	PG	N
P31-COVER TWIST OUT RISER 90D 100 PG	489001	100	3,94	0,29	0,65	0,7	0,03	PG	N
P31-COVER TWIST OUT RISER 90D 150 PG	489002	150	5,91	0,41	0,91	0,7	0,03	PG	N
P31-COVER TWIST OUT RISER 90D 200 PG	489003	200	7,87	0,53	1,16	0,7	0,03	PG	N
P31-COVER TWIST OUT RISER 90D 300 PG	489004	300	11,81	0,76	1,68	0,7	0,03	PG	N
P31-COVER TWIST OUT RISER 90D 400 PG	489005	400	15,75	0,25	0,56	0,7	0,03	PG	Y
P31-COVER TWIST OUT RISER 90D 500 PG	489006	500	19,69	0,31	0,68	0,7	0,03	PG	Y
P31-COVER TWIST OUT RISER 90D 600 PG	489007	600	23,62	0,42	0,93	0,7	0,03	PG	Y

■ 2.2 COVER TWIST OUTSIDE RISER 90D HDG

Description	Code	Width		Weight		Thickness		Coating	Earth Connector
		(mm)	(inch)	(Kg)	(lb)	(mm)	(inch)		
P31-COVER TWIST OUT RISER 90D 75 HDG	489020	77	3,03	0,26	0,58	0,7	0,03	HDG	N
P31-COVER TWIST OUT RISER 90D 100 HDG	489021	100	3,94	0,32	0,71	0,7	0,03	HDG	N
P31-COVER TWIST OUT RISER 90D 150 HDG	489022	150	5,91	0,45	1,00	0,7	0,03	HDG	N
P31-COVER TWIST OUT RISER 90D 200 HDG	489023	200	7,87	0,58	1,28	0,7	0,03	HDG	N
P31-COVER TWIST OUT RISER 90D 300 HDG	489024	300	11,81	0,84	1,85	0,7	0,03	HDG	N
P31-COVER TWIST OUT RISER 90D 400 HDG	489025	400	15,75	1,09	2,41	0,7	0,03	HDG	H
P31-COVER TWIST OUT RISER 90D 500 HDG	489026	500	19,69	1,35	2,98	0,7	0,03	HDG	H
P31-COVER TWIST OUT RISER 90D 600 HDG	489027	600	23,62	1,61	3,54	0,7	0,03	HDG	H

■ 2.3 COVER TWIST OUTSIDE RISER 90D RAL9010

Description	Code	Width		Weight		Thickness		Coating	Earth Connector
		(mm)	(inch)	(Kg)	(lb)	(mm)	(inch)		
P31-COVER TWIST OUT RISER 90D 75 RAL9010	489040	77	3,03	0,24	0,53	0,7	0,03	RAL9010	N
P31-COVER TWIST OUT RISER 90D 100 RAL9010	489041	100	3,94	0,29	0,65	0,7	0,03	RAL9010	N
P31-COVER TWIST OUT RISER 90D 150 RAL9010	489042	150	5,91	0,41	0,91	0,7	0,03	RAL9010	N
P31-COVER TWIST OUT RISER 90D 200 RAL9010	489043	200	7,87	0,53	1,16	0,7	0,03	RAL9010	N
P31-COVER TWIST OUT RISER 90D 300 RAL9010	489044	300	11,81	0,76	1,68	0,7	0,03	RAL9010	N
P31-COVER TWIST OUT RISER 90D 400 RAL9010	489045	400	15,75	1,01	2,22	0,7	0,03	RAL9010	Y
P31-COVER TWIST OUT RISER 90D 600 RAL9010	489047	600	23,62	1,47	3,25	0,7	0,03	RAL9010	Y

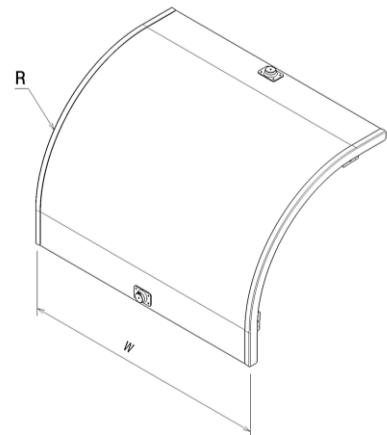
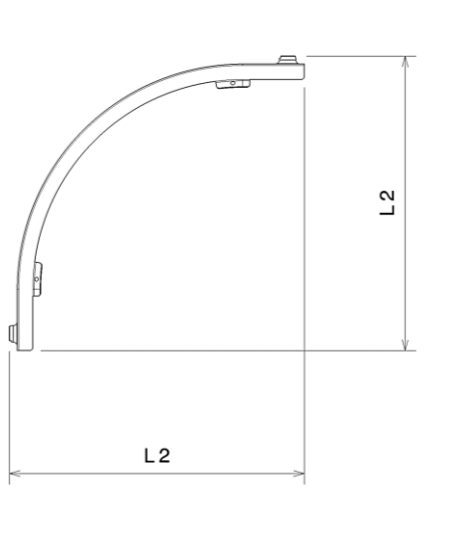
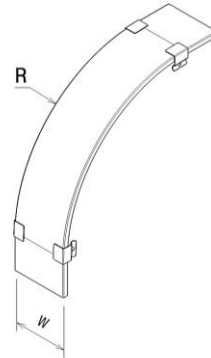
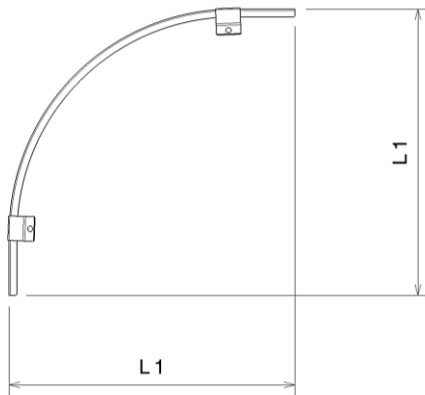
■ 2.4 COVER TWIST OUTSIDE RISER 90D SS316L

Description	Code	Width		Weight		Thickness		Coating	Earth Connector
		(mm)	(inch)	(Kg)	(lb)	(mm)	(inch)		
P31-COVER TWIST OUT RISER 90D 75 SS316L	489060	77	3,03	0,25	0,56	0,7	0,03	SS316L	Y
P31-COVER TWIST OUT RISER 90D 100 SS316L	489061	100	3,94	0,31	0,68	0,7	0,03	SS316L	Y
P31-COVER TWIST OUT RISER 90D 150 SS316L	489062	150	5,91	0,42	0,93	0,7	0,03	SS316L	Y
P31-COVER TWIST OUT RISER 90D 200 SS316L	489063	200	7,87	0,54	1,19	0,7	0,03	SS316L	Y
P31-COVER TWIST OUT RISER 90D 300 SS316L	489064	300	11,81	0,77	1,71	0,7	0,03	SS316L	Y
P31-COVER TWIST OUT RISER 90D 400 SS316L	489065	400	15,75	1,01	2,22	0,7	0,03	SS316L	Y
P31-COVER TWIST OUT RISER 90D 500 SS316L	489066	500	19,69	1,24	2,73	0,7	0,03	SS316L	Y
P31-COVER TWIST OUT RISER 90D 600 SS316L	489067	600	23,62	1,47	3,25	0,7	0,03	SS316L	Y

3. DIMENSIONS (mm/inch)

■ 3.1 Fitting dimensions

Description	Width		Radius		L1		L2	
	(mm)	(inch)	(mm)	(inch)	(mm)	(inch)	(mm)	(inch)
P31-COVER OUTSIDE RISER 90D 75	81	3,19	100	3,94	256	10,08	263	10,35
P31-COVER OUTSIDE RISER 90D 100	104	4,09	100	3,94	256	10,08	263	10,35
P31-COVER OUTSIDE RISER 90D 150	154	6,06	100	3,94	256	10,08	263	10,35
P31-COVER OUTSIDE RISER 90D 200	204	8,03	100	3,94	256	10,08	263	10,35
P31-COVER OUTSIDE RISER 90D 300	304	11,97	100	3,94	256	10,08	263	10,35
P31-COVER OUTSIDE RISER 90D 400	404	15,91	100	3,94	256	10,08	263	10,35
P31-COVER OUTSIDE RISER 90D 500	504	19,84	100	3,94	256	10,08	263	10,35
P31-COVER OUTSIDE RISER 90D 600	604	23,78	100	3,94	256	10,08	263	10,35



4. TECHNICAL DATA

■ 4.1 Climatic characteristics

Storage and operating temperature: - 20° C à + 120° C

■ 4.2 Material characteristics

Material finish	Material	Standard	Resistance class against corrosion
PG	DX51D + Z200	EN 10346	Classe 3 - CEI 61537
BLUE	DX51D + Z200	EN 10346	Classe 3 - CEI 61537
HDG	DC 01	EN 10130	Classe 6 - CEI 61537
SS304	X5CrNi18-10	EN 10 088-2	Classe 9A - CEI 61537
SS316L	X2CrNiMo17-12-2	EN 10 088-2	Classe 9B - CEI 61537

5. CONFORMITY - CERTIFICATION

Comply with CEI 61537 Cable tray systems

Certification: CE, IMQ