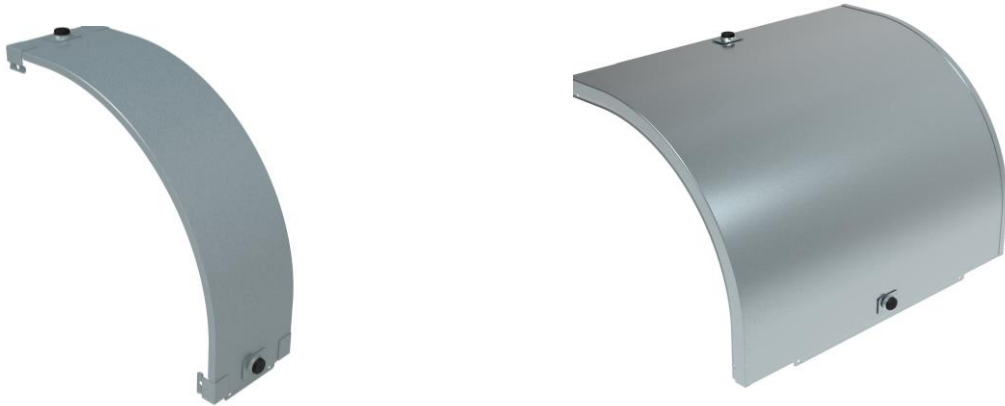


Reference(s): 4807../99/480808/09/18/19/27/28/29/4807../14/15/16/17/18
4827../99/482808/09/18/19/27/28/29/482738/39/40/41/42
4847../60/61/62/63/64/65/67
4881../40/41/42/43/44/45/46/47

P31 – COVER OUTSIDE RISER 90D



1. USE

Cover outside riser 90D.

2. RANGE

■ 2.1 Cover outside riser 90D PG

Description	Code	Width		Weight		Thickness		Coating	Earth Connector
		(mm)	(inch)	(Kg)	(lb)	(mm)	(inch)		
P31- COVER OUTSIDE RISER90D W75 PG	480799	75	2,95	0,23	0,51	0,7	0,03	PG	N
P31- COVER OUTSIDE RISER90D W100 PG	480808	100	3,94	0,28	0,62	0,7	0,03	PG	N
P31- COVER OUTSIDE RISER90D W150 PG	480809	150	5,91	0,40	0,88	0,7	0,03	PG	N
P31- COVER OUTSIDE RISER90D W200 PG	480818	200	7,87	0,53	1,17	0,7	0,03	PG	N
P31- COVER OUTSIDE RISER90D W300 PG	480819	300	11,81	0,78	1,72	0,7	0,03	PG	N
P31- COVER OUTSIDE RISER90D W400 PG	480827	400	15,75	1,03	2,27	0,7	0,03	PG	Y
P31- COVER OUTSIDE RISER90D W500 PG	480828	500	19,69	1,26	2,78	0,7	0,03	PG	Y
P31- COVER OUTSIDE RISER90D W600 PG	480829	600	23,62	1,49	3,28	0,7	0,03	PG	Y
P31- COVER OUTSIDE RISER90D W75 PG	480714	75	2,95	0,24	0,53	0,7	0,03	PG	Y
P31- COVER OUTSIDE RISER90D W100 PG	480715	100	3,94	0,29	0,64	0,7	0,03	PG	Y
P31- COVER OUTSIDE RISER90D W150 PG	480716	150	5,91	0,41	0,90	0,7	0,03	PG	Y
P31- COVER OUTSIDE RISER90D W200 PG	480717	200	7,87	0,54	1,19	0,7	0,03	PG	Y
P31- COVER OUTSIDE RISER90D W300 PG	480718	300	11,81	0,79	1,74	0,7	0,03	PG	Y

■ 2.2 Cover outside riser 90D HDG

Description	Code	Width		Weight		Thickness		Coating	Earth Connector
		(mm)	(inch)	(Kg)	(lb)	(mm)	(inch)		
P31- COVER OUTSIDE RISER90D W75 HDG	482799	75	2,95	0,25	0,56	0,7	0,03	HDG	N
P31- COVER OUTSIDE RISER90D W100 HDG	482808	100	3,94	0,31	0,68	0,7	0,03	HDG	N
P31- COVER OUTSIDE RISER90D W150 HDG	482809	150	5,91	0,44	0,97	0,7	0,03	HDG	N
P31- COVER OUTSIDE RISER90D W200 HDG	482818	200	7,87	0,58	1,29	0,7	0,03	HDG	N
P31- COVER OUTSIDE RISER90D W300 HDG	482819	300	11,81	0,86	1,89	0,7	0,03	HDG	N
P31- COVER OUTSIDE RISER90D W400 HDG	482827	400	15,75	1,13	2,50	0,7	0,03	HDG	H
P31- COVER OUTSIDE RISER90D W500 HDG	482828	500	19,69	1,39	3,06	0,7	0,03	HDG	H
P31- COVER OUTSIDE RISER90D W600 HDG	483829	600	23,62	1,64	3,61	0,7	0,03	HDG	H
P31- COVER OUTSIDE RISER90D W75 HDG	482738	75	2,95	0,26	0,58	0,7	0,03	HDG	H
P31- COVER OUTSIDE RISER90D W100 HDG	482739	100	3,94	0,32	0,70	0,7	0,03	HDG	H
P31- COVER OUTSIDE RISER90D W150 HDG	482740	150	5,91	0,45	0,99	0,7	0,03	HDG	H
P31- COVER OUTSIDE RISER90D W200 HDG	482741	200	7,87	0,59	1,31	0,7	0,03	HDG	H
P31- COVER OUTSIDE RISER90D W300 HDG	482742	300	11,81	0,87	1,92	0,7	0,03	HDG	H

■ 2.3 Cover outside riser 90D RAL 9010

Description	Code	Width		Weight		Thickness		Coating	Earth Connector
		(mm)	(inch)	(Kg)	(lb)	(mm)	(inch)		
P31- COVER OUTSIDE RISER90D W75 RAL 9010	484760	75	2,95	0,23	0,51	0,7	0,03	RAL 9010	N
P31- COVER OUTSIDE RISER90D W100 RAL 9010	484761	100	3,94	0,28	0,62	0,7	0,03	RAL 9010	N
P31- COVER OUTSIDE RISER90D W150 RAL 9010	484762	150	5,91	0,40	0,88	0,7	0,03	RAL 9010	N
P31- COVER OUTSIDE RISER90D W200 RAL 9010	484763	200	7,87	0,53	1,17	0,7	0,03	RAL 9010	N
P31- COVER OUTSIDE RISER90D W300 RAL 9010	484764	300	11,81	0,78	1,72	0,7	0,03	RAL 9010	N
P31- COVER OUTSIDE RISER90D W400 RAL 9010	484765	400	15,75	1,03	2,27	0,7	0,03	RAL 9010	Y
P31- COVER OUTSIDE RISER90D W600 RAL 9010	484767	600	23,62	1,49	3,28	0,7	0,03	RAL 9010	Y

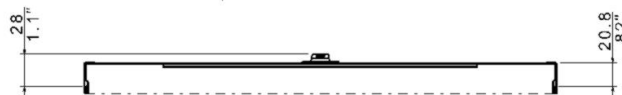
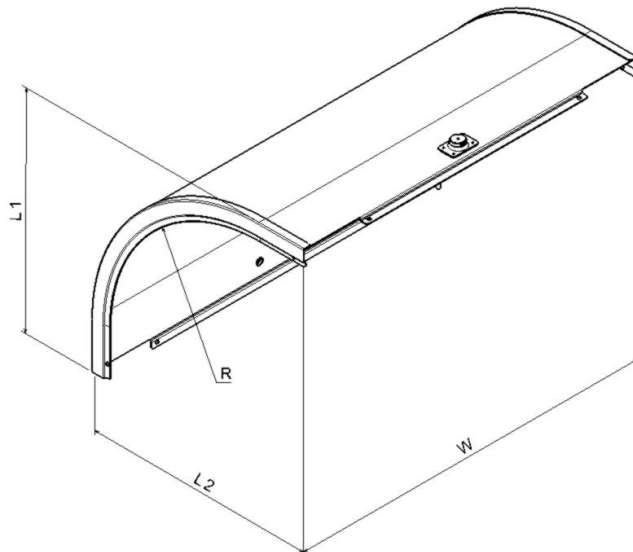
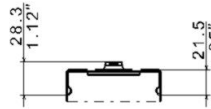
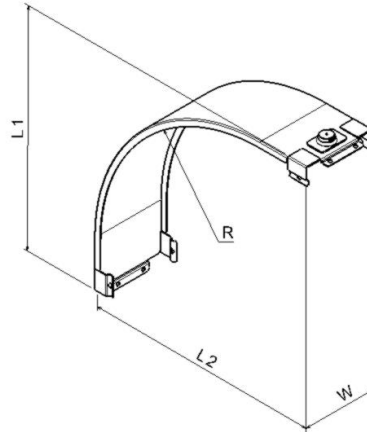
■ 2.4 Cover outside riser 90D SS 304

Description	Code	Width		Weight		Thickness		Coating	Earth Connector
		(mm)	(inch)	(Kg)	(lb)	(mm)	(inch)		
P31- COVER OUTSIDE RISER90D W75 SS 304	488140	75	2,95	0,23	0,51	0,7	0,03	SS 304	Y
P31- COVER OUTSIDE RISER90D W100 SS 304	488141	100	3,94	0,28	0,62	0,7	0,03	SS 304	Y
P31- COVER OUTSIDE RISER90D W150 SS 304	488142	150	5,91	0,40	0,88	0,7	0,03	SS 304	Y
P31- COVER OUTSIDE RISER90D W200 SS 304	488143	200	7,87	0,53	1,17	0,7	0,03	SS 304	Y
P31- COVER OUTSIDE RISER90D W300 SS 304	488144	300	11,81	0,78	1,72	0,7	0,03	SS 304	Y
P31- COVER OUTSIDE RISER90D W400 SS 304	488145	400	15,75	1,03	2,27	0,7	0,03	SS 304	Y
P31- COVER OUTSIDE RISER90D W500 SS 304	488146	500	19,69	1,26	2,78	0,7	0,03	SS 304	Y
P31- COVER OUTSIDE RISER90D W600 SS 304	488147	600	23,62	1,49	3,28	0,7	0,03	SS 304	Y

3. DIMENSIONS (mm/inch)

■ **3.1 Fitting dimensions**

Description	Width		Radius		L1		L2	
	(mm)	(inch)	(mm)	(inch)	(mm)	(inch)	(mm)	(inch)
P31-COVER OUTSIDE RISER 90D W75	80	3,15	194	7,64	256	10,10	255	10,06
P31-COVER OUTSIDE RISER 90D W100	104	4,09	194	7,64	256	10,10	256	10,10
P31-COVER OUTSIDE RISER 90D W150	154	6,06	194	7,64	256	10,10	256	10,10
P31-COVER OUTSIDE RISER 90D W200	204	8,03	194	7,64	256	10,10	256	10,10
P31-COVER OUTSIDE RISER 90D W300	304	11,97	194	7,64	256	10,10	256	10,10
P31-COVER OUTSIDE RISER 90D W400	404	15,91	181	7,13	256	10,10	256	10,10
P31-COVER OUTSIDE RISER 90D W500	504	19,84	181	7,13	256	10,10	256	10,10
P31-COVER OUTSIDE RISER 90D W600	604	23,78	181	7,13	256	10,10	256	10,10



4. TECHNICAL DATA

■ 4.1 Climatic characteristics

Storage and operating temperature: - 20° C à + 120° C

■ 4.2 Material characteristics

Material finish	Material	Standard	Resistance class against corrosion
PG	DX51D + Z200	EN 10346	Classe 3 - CEI 61537
RAL 9010	DX51D + Z200	EN 10346	Classe 3 - CEI 61537
HDG	DC 01	EN 10130	Classe 6 - CEI 61537
SS304	X5CrNi18-10	EN 10 088-2	Classe 9A - CEI 61537
SS316L	X2CrNiMo17-12-2	EN 10 088-2	Classe 9B - CEI 61537

5. CONFORMITY - CERTIFICATION

Comply with CEI 61537 Cable tray systems

Certification: CE, IMQ