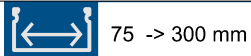
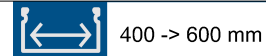


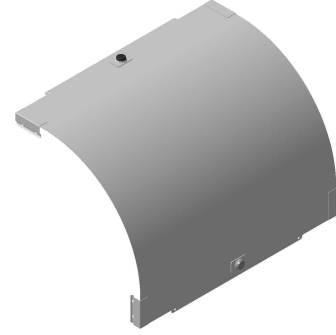
**P31 - COUVERCLE CHANGEMENT DE PLAN CONVEXE 90D**  
**P31 - COVER OUTSIDE RISER 90D**

 Reference(s) : **480799-480808/09/18/19/27/28/29**  
 Items(s) : **480799-482808/09/18/18/27/28/29**


75 -&gt; 300 mm



400 -&gt; 600 mm


**1. GAMME/RANGE**
**P31 - COUVERCLE CHGT PLAN CONVEXE 90D GS**  
**P31 - COVER OUTSIDE RISER 90D PG**

Designation Description	Code	Poids Weight (Kg)	Épaisseur Thickness (mm)	Matière Raw Material	Norme matière Standard Raw Material	Finition Coating	Norme Finition Standard Coating	Borniers de terre Earth connector
P31-COUV. CHGT PLAN CONVEXE 90D W75 GS P31-COVER OUTSIDE RISER 90D W75 PG	480799	0,23	0,7	DX51D + Z200	EN 10346	GS/PG/Z	EN 10346	N
P31-COUV. CHGT PLAN CONVEXE 90D W100 GS P31-COVER OUTSIDE RISER 90D W100 PG	480808	0,28	0,7	DX51D + Z200	EN 10346	GS/PG/Z	EN 10346	N
P31-COUV. CHGT PLAN CONVEXE 90D W150 GS P31-COVER OUTSIDE RISER 90D W150 PG	480809	0,40	0,7	DX51D + Z200	EN 10346	GS/PG/Z	EN 10346	N
P31-COUV. CHGT PLAN CONVEXE 90D W200 GS P31-COVER OUTSIDE RISER 90D W200 PG	480818	0,53	0,7	DX51D + Z200	EN 10346	GS/PG/Z	EN 10346	N
P31-COUV. CHGT PLAN CONVEXE 90D W300 GS P31-COVER OUTSIDE RISER 90D W300 PG	480819	0,78	0,7	DX51D + Z200	EN 10346	GS/PG/Z	EN 10346	N
P31-COUV. CHGT PLAN CONVEXE 90D W400 GS P31-COVER OUTSIDE RISER 90D W400 PG	480827	1,03	0,7	DX51D + Z200	EN 10346	GS/PG/Z	EN 10346	Y
P31-COUV. CHGT PLAN CONVEXE 90D W500 GS P31-COVER OUTSIDE RISER 90D W500 PG	480828	1,26	0,7	DX51D + Z200	EN 10346	GS/PG/Z	EN 10346	Y
P31-COUV. CHGT PLAN CONVEXE 90D W600 GS P31-COVER OUTSIDE RISER 90D W600 PG	480829	1,49	0,7	DX51D + Z200	EN 10346	GS/PG/Z	EN 10346	Y

 Classe de résistance contre la corrosion 3 (IEC 61537)  
 Corrosion resistance classification 3 (IEC 61537)

**P31 - COUVERCLE CHGT PLAN CONVEXE 90D GC**  
**P31 - COVER OUTSIDE RISER 90D HDG**

Designation Description	Code	Poids Weight (Kg)	Épaisseur Thickness (mm)	Matière Raw Material	Norme matière Standard Raw Material	Finition Coating	Norme Finition Standard Coating	Borniers de terre Earth connector
P31-COUV. CHGT PLAN CONVEXE 90D W75 GC P31-COVER OUTSIDE RISER 90D W75 HDG	482799	0,25	0,7	DC01	EN 10130	GC/HDG/C	ISO 1461	N
P31-COUV. CHGT PLAN CONVEXE 90D W100 GC P31-COVER OUTSIDE RISER 90D W100 HDG	482808	0,31	0,7	DC01	EN 10130	GC/HDG/C	ISO 1461	N
P31-COUV. CHGT PLAN CONVEXE 90D W150 GC P31-COVER OUTSIDE RISER 90D W150 HDG	482809	0,44	0,7	DC01	EN 10130	GC/HDG/C	ISO 1461	N
P31-COUV. CHGT PLAN CONVEXE 90D W200 GC P31-COVER OUTSIDE RISER 90D W200 HDG	482818	0,58	0,7	DC01	EN 10130	GC/HDG/C	ISO 1461	N
P31-COUV. CHGT PLAN CONVEXE 90D W300 GC P31-COVER OUTSIDE RISER 90D W300 HDG	482819	0,86	0,7	DC01	EN 10130	GC/HDG/C	ISO 1461	N
P31-COUV. CHGT PLAN CONVEXE 90D W400 GC P31-COVER OUTSIDE RISER 90D W400 HDG	482827	1,13	0,7	DC01	EN 10130	GC/HDG/C	ISO 1461	HOLE
P31-COUV. CHGT PLAN CONVEXE 90D W500 GC P31-COVER OUTSIDE RISER 90D W500 HDG	482828	1,39	0,7	DC01	EN 10130	GC/HDG/C	ISO 1461	HOLE
P31-COUV. CHGT PLAN CONVEXE 90D W600 GC P31-COVER OUTSIDE RISER 90D W600 HDG	483829	1,64	0,7	DC01	EN 10130	GC/HDG/C	ISO 1461	HOLE

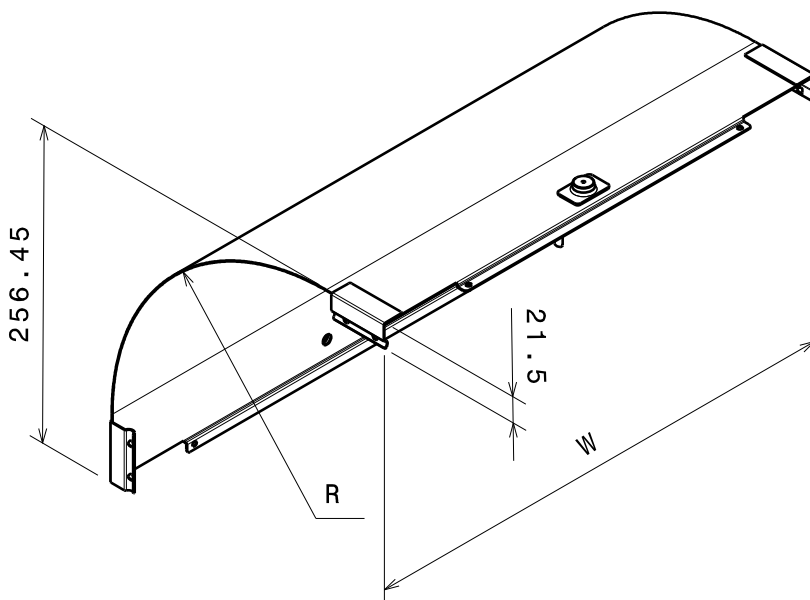
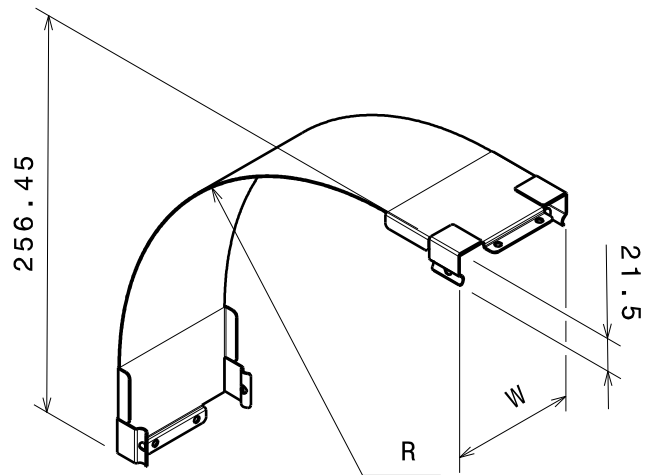
 Classe de résistance contre la corrosion 6 (IEC 61537)  
 Corrosion resistance classification 6 (IEC 61537)

P31 - COUVERCLE CHANGEMENT DE PLAN CONVEXE 90D  
 P31 - COVER OUTSIDE RISER 90D

Reference(s) : **480799-480808/09/18/19/27/28/29**  
 Items(s) : **480799-482808/09/18/18/27/28/29**

## 2. DIMENSIONS (mm)

Designation Description	Largeur Width ( W mm)	Rayon Radius (mm)
P31-COUVERCLE CHGT PLAN CONVEXE 90D W75 P31-COVER OUTSIDE RISER 90D W75	79,4	200
P31-COUVERCLE CHGT PLAN CONVEXE 90D W100 P31-COVER OUTSIDE RISER 90D W100	102,4	200
P31-COUVERCLE CHGT PLAN CONVEXE 90D W150 P31-COVER OUTSIDE RISER 90D W150	152,4	200
P31-COUVERCLE CHGT PLAN CONVEXE 90D W200 P31-COVER OUTSIDE RISER 90D W200	202,4	200
P31-COUVERCLE CHGT PLAN CONVEXE 90D W300 P31-COVER OUTSIDE RISER 90D W300	302,4	200
P31-COUVERCLE CHGT PLAN CONVEXE 90D W400 P31-COVER OUTSIDE RISER 90D W400	402,4	200
P31-COUVERCLE CHGT PLAN CONVEXE 90D W500 P31-COVER OUTSIDE RISER 90D W500	502,4	200
P31-COUVERCLE CHGT PLAN CONVEXE 90D W600 P31-COVER OUTSIDE RISER 90D W600	602,4	200



### Remarque:

Couvercles utilisables uniquement pour les accessoires H25 mm et H100 mm.  
 Pour les couvercles des accessoires H60 mm consulter la FT1041

### Notes:

These covers can be used only with fittings H25 mm and H100 mm.  
 For covers dedicated to fittings H60 refer to FT1041.