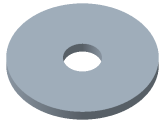
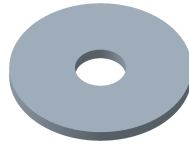
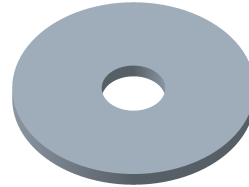
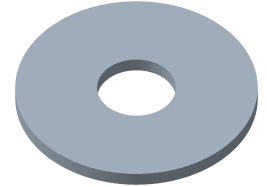
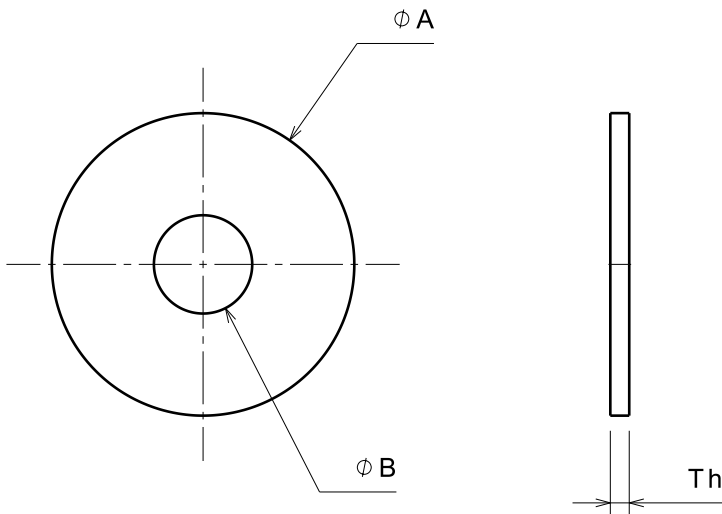


**RONDELLE CARROSSERIE - RCM
RCM - BODY WASHER**

Reference(s) : 350 416/17/18/19


RCM6

RCM8

RCM10

RCM12
1. GAMME / RANGE

Designation	Code	Epaisseur / Thickness (mm) / (inch)		Poids / Weight (Kg) / (lb)		Classe / Class	Norme / Standard	Finition / Coating	Classe de résistance contre la corrosion / Resistance class against corrosion
RCM6 ZnNi	350 416	1.8	0.07	0.006	0.132	Grade A	ISO 7089	ZnNi	Class 8 / IEC 61537
RCM8 ZnNi	350 417	2	0.08	0.010	0.022				
RCM10 ZnNi	350 418	2.5	0.1	0.023	0.051				
RCM12 ZnNi	350 419	2.5	0.1	0.022	0.049				

2. DIMENSIONS (mm/inch)


Designation	A (mm) / (inch)		B (mm) / (inch)		Th (mm) / (inch)	
RCM6	25	0.98	6.4	0.25	1.8	0.07
RCM8	30	1.18	8.4	0.33	2	0.08
RCM10	40	1.57	10.5	0.41	2.5	0.1
RCM12	40	1.57	13	0.51	2.5	0.1