

P31 - FLAT BEND 45° H27

Reference(s): 4809../37/38/39
4823../37/38/39
4812../54/55/56/57/58/59
4832../54/55/56/57/58/59



1. USE

Flat bend 45° in H27 with blind/perforated bottom.

2. RANGE

■ 2.1 Flat bend 45° H27 blind PG

Description	Code	Width		Weight		Thickness		Coating	Section	
		(mm)	(inch)	(Kg)	(lb)	(mm)	(inch)		(mm²)	(inch²)
P31- FLAT BEND 45D 27X75 PG	480937	75	2,95	0,25	0,55	0,7	0,03	PG	2207	3,42
P31- FLAT BEND 45D 27X100 PG	480938	100	3,94	0,28	0,62	0,7	0,03	PG	2858	4,43
P31- FLAT BEND 45D 27X150 PG	480939	150	5,91	0,38	0,84	0,7	0,03	PG	4273	6,62

■ 2.1 Flat bend 45° H27 blind HDG

Description	Code	Width		Weight		Thickness		Coating	Section	
		(mm)	(inch)	(Kg)	(lb)	(mm)	(inch)		(mm²)	(inch²)
P31- FLAT BEND 45D 27X75 HDG	482937	75	2,95	0,28	0,61	0,7	0,03	HDG	2207	3,42
P31- FLAT BEND 45D 27X100 HDG	482938	100	3,94	0,31	0,68	0,7	0,03	HDG	2858	4,43
P31- FLAT BEND 45D 27X150 HDG	482939	150	5,91	0,42	0,92	0,7	0,03	HDG	4273	6,62

■ 2.3 Flat bend 45° H27 perforated PG

Description	Code	Width		Weight		Thickness		Coating	Section	
		(mm)	(inch)	(Kg)	(lb)	(mm)	(inch)		(mm²)	(inch²)
P31- FLAT BEND 45D 27X100 PG	481254	100	3,94	0,28	0,62	0,7	0,03	PG	2858	4,43
P31- FLAT BEND 45D 27X150 PG	481255	150	5,91	0,37	0,82	0,7	0,03	PG	4273	6,62
P31- FLAT BEND 45D 27X200 PG	481256	200	7,87	0,47	1,04	0,7	0,03	PG	5688	8,82
P31- FLAT BEND 45D 27X300 PG	481257	300	11,81	0,70	1,54	0,7	0,03	PG	8518	13,20
P31- FLAT BEND 45D 27X400 PG	481258	400	15,75	0,97	2,14	0,7	0,03	PG	11348	17,59
P31- FLAT BEND 45D 27X500 PG	481259	500	19,69	1,28	2,82	0,7	0,03	PG	14176	21,97

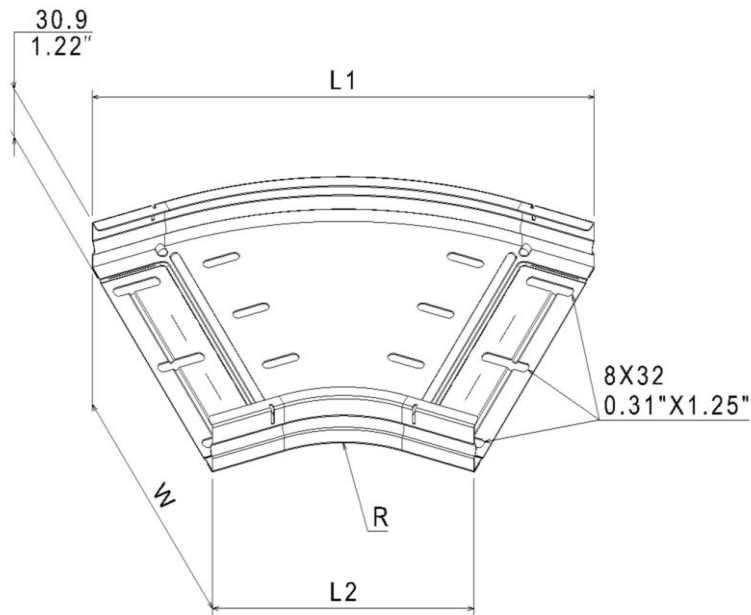
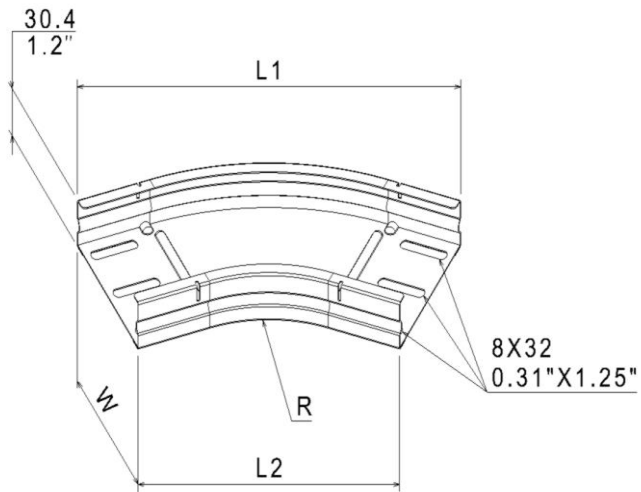
■ 2.4 Flat bend 45° H27 perforated HDG

Description	Code	Width		Weight		Thickness		Coating	Section	
		(mm)	(inch)	(Kg)	(lb)	(mm)	(inch)		(mm²)	(inch²)
P31- FLAT BEND 45D 27X100 HDG	483254	100	3,94	0,30	0,66	0,7	0,03	HDG	2858	4,43
P31- FLAT BEND 45D 27X150 HDG	483255	150	5,91	0,41	0,90	0,7	0,03	HDG	4273	6,62
P31- FLAT BEND 45D 27X200 HDG	483256	200	7,87	0,52	1,15	0,7	0,03	HDG	5688	8,82
P31- FLAT BEND 45D 27X300 HDG	483257	300	11,81	0,77	1,70	0,7	0,03	HDG	8518	13,20
P31- FLAT BEND 45D 27X400 HDG	483258	400	15,75	1,07	2,36	0,7	0,03	HDG	11348	17,59
P31- FLAT BEND 45D 27X500 HDG	483259	500	19,69	1,41	3,11	0,7	0,03	HDG	14176	21,97

3. DIMENSIONS (mm/inch)

■ 3.1 Fitting dimensions

Description	Width		Radius		L1		L2	
	(mm)	(inch)	(mm)	(inch)	(mm)	(inch)	(mm)	(inch)
P31-FLAT BEND 45D 27X75	79	3,11	100	3,94	229	9,02	168	6,61
P31-FLAT BEND 45D 27X100	102	4,02	100	3,94	247	9,72	168	6,61
P31-FLAT BEND 45D 27X150	202	7,95	100	3,94	286	11,26	168	6,61
P31-FLAT BEND 45D 27X200	302	11,89	100	3,94	324	12,76	168	6,61
P31-FLAT BEND 45D 27X300	402	15,83	100	3,94	400	15,75	168	6,61
P31-FLAT BEND 45D 27X400	502	19,76	100	3,94	477	18,78	168	6,61
P31-FLAT BEND 45D 27X500	602	23,70	100	3,94	553	21,77	168	6,61



4. INSTALLATION

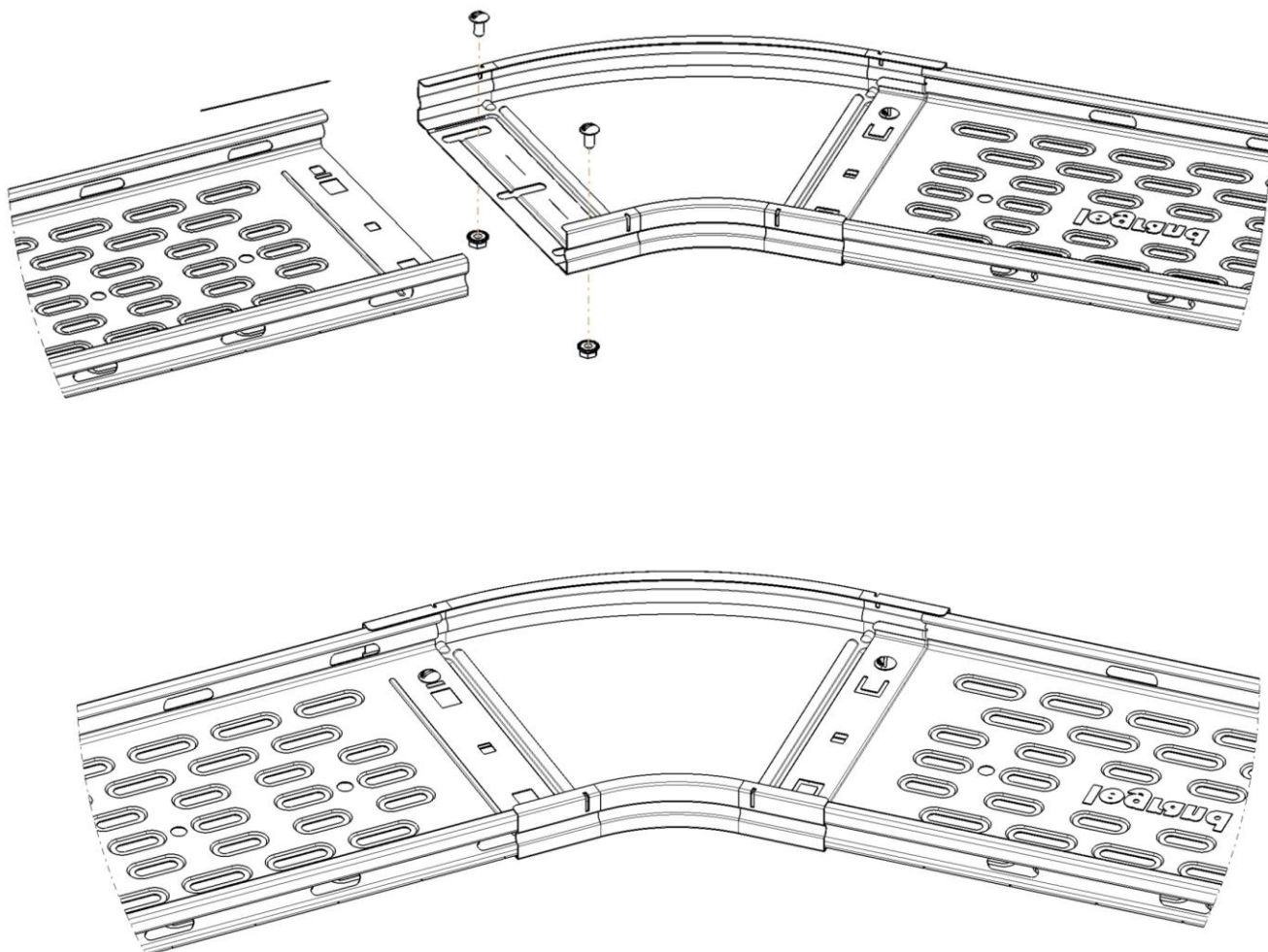
■ 4.1 Screw

Use screws M6x12 tightened at 11Nm

Reference(s): 341895/ 03V1M610Z (PG)
485035 (Zn-Ni)
346895/ 03V1M610L (SS316L)

■ 4.2 Fitting to cable tray

Flat bend height 27 are assembled using 2 screws M6x12 on the bottom.
The screws in the middle is optional up to and included width 300mm.



5. TECHNICAL DATA

■ 5.1 Climatic characteristics

Storage and operating temperature: - 20° C à + 120° C

■ 5.2 Material characteristics

Material finish	Material	Standard	Resistance class against corrosion
PG	DX51D + Z200	EN 10346	Classe 3 - CEI 61537
BLUE	DX51D + Z200	EN 10346	Classe 3 - CEI 61537
HDG	DC 01	EN 10130	Classe 6 - CEI 61537
SS304	X5CrNi18-10	EN 10 088-2	Classe 9A - CEI 61537
SS316L	X2CrNiMo17-12-2	EN 10 088-2	Classe 9B - CEI 61537

6. CONFORMITY - CERTIFICATION

Comply with CEI 61537 Cable tray systems

Certification: CE, IMQ