

## P31 - OUTSIDE RISER 90° H50

Reference(s): 480839-4810../39/40/41/42/43/44/45  
4830../39/40/41/42/43/44/45  
482839-4820../39/40/41/42/43/44/45  
4832../80/81/82/83/84/85/87  
4808../54/55/56/57/58/59/60/61



### 1. USE

Outside riser 90° in H50 with blind/perforated bottom.

### 2. RANGE BLIND

#### ■ 2.1 Outside riser 90° H50 blind PG

Description	Code	Width min.		Weight		Thickness		Coating	Section	
		(mm)	(inch)	(Kg)	(lb)	(mm)	(inch)		(mm²)	(inch²)
P31-OUTSIDE RISER 90D 50X75 PG	480839	77	3,03	0,43	0,95	0,7	0,03	PG	3963	6,14
P31-OUTSIDE RISER 90D 50X100 PG	481039	100	3,94	0,48	1,05	0,7	0,03	PG	5181	8,03
P31-OUTSIDE RISER 90D 50X150 PG	481040	150	5,91	0,57	1,26	0,7	0,03	PG	7708	11,95
P31-OUTSIDE RISER 90D 50X200 PG	481041	200	7,87	0,67	1,47	0,7	0,03	PG	10273	15,92
P31-OUTSIDE RISER 90D 50X300 PG	481042	300	11,81	0,86	1,90	0,7	0,03	PG	15403	23,87
P31-OUTSIDE RISER 90D 50X400 PG	481043	400	15,75	1,05	2,32	0,7	0,03	PG	20533	31,83
P31-OUTSIDE RISER 90D 50X500 PG	481044	500	19,69	1,24	2,74	0,7	0,03	PG	25663	39,78
P31-OUTSIDE RISER 90D 50X600 PG	481045	600	23,62	1,43	3,16	0,7	0,03	PG	30793	47,73

#### ■ 2.2 Outside riser perf. 90° H50 perforated PG

Description	Code	Width min.		Weight		Thickness		Coating	Section	
		(mm)	(inch)	(Kg)	(lb)	(mm)	(inch)		(mm²)	(inch²)
P31-OUTSIDE RISER PERF. 90D 50X100 PG	483039	100	3,94	0,48	1,05	0,7	0,03	HDG	5181	8,03
P31-OUTSIDE RISER PERF. 90D 50X150 PG	483040	150	5,91	0,57	1,26	0,7	0,03	HDG	7708	11,95
P31-OUTSIDE RISER PERF. 90D 50X200 PG	483041	200	7,87	0,67	1,47	0,7	0,03	HDG	10273	15,92
P31-OUTSIDE RISER PERF. 90D 50X300 PG	483042	300	11,81	0,86	1,90	0,7	0,03	HDG	15403	23,87
P31-OUTSIDE RISER PERF. 90D 50X400 PG	483043	400	15,75	1,05	2,32	0,7	0,03	HDG	20533	31,83
P31-OUTSIDE RISER PERF. 90D 50X500 PG	483044	500	19,69	1,24	2,74	0,7	0,03	HDG	25663	39,78
P31-OUTSIDE RISER PERF. 90D 50X600 PG	483045	600	23,62	1,43	3,16	0,7	0,03	HDG	30793	47,73

■ 2.3 Outside riser 90° H50 blind HDG

Description	Code	Width min.		Weight		Thickness		Coating	Section	
		(mm)	(inch)	(Kg)	(lb)	(mm)	(inch)		(mm²)	(inch²)
P31-OUTSIDE RISER 90D 50X75 HDG	482839	77	3,03	0,48	1,05	0,7	0,03	PG	3963	6,14
P31-OUTSIDE RISER 90D 50X100 HDG	482039	100	3,94	0,52	1,15	0,7	0,03	PG	5181	8,03
P31-OUTSIDE RISER 90D 50X150 HDG	482040	150	5,91	0,63	1,38	0,7	0,03	PG	7708	11,95
P31-OUTSIDE RISER 90D 50X200 HDG	482041	200	7,87	0,74	1,62	0,7	0,03	PG	10273	15,92
P31-OUTSIDE RISER 90D 50X300 HDG	482042	300	11,81	0,95	2,08	0,7	0,03	PG	15403	23,87
P31-OUTSIDE RISER 90D 50X400 HDG	482043	400	15,75	1,16	2,55	0,7	0,03	PG	20533	31,83
P31-OUTSIDE RISER 90D 50X500 HDG	482044	500	19,69	1,37	3,01	0,7	0,03	PG	25663	39,78
P31-OUTSIDE RISER 90D 50X600 HDG	482045	600	23,62	1,58	3,48	0,7	0,03	PG	30793	47,73

■ 2.4 Outside riser perf. 90° H50 perforated HDG

Description	Code	Width min.		Weight		Thickness		Coating	Section	
		(mm)	(inch)	(Kg)	(lb)	(mm)	(inch)		(mm²)	(inch²)
P31-OUTSIDE RISER PERF. 90D 50X100 HDG	483280	100	3,94	0,52	1,15	0,7	0,03	HDG	5181	8,03
P31-OUTSIDE RISER PERF. 90D 50X150 HDG	483281	150	5,91	0,63	1,38	0,7	0,03	HDG	7708	11,95
P31-OUTSIDE RISER PERF. 90D 50X200 HDG	483282	200	7,87	0,74	1,62	0,7	0,03	HDG	10273	15,92
P31-OUTSIDE RISER PERF. 90D 50X300 HDG	483283	300	11,81	0,95	2,08	0,7	0,03	HDG	15403	23,87
P31-OUTSIDE RISER PERF. 90D 50X400 HDG	483284	400	15,75	1,16	2,55	0,7	0,03	HDG	20533	31,83
P31-OUTSIDE RISER PERF. 90D 50X500 HDG	483285	500	19,69	1,37	3,01	0,7	0,03	HDG	25663	39,78
P31-OUTSIDE RISER PERF. 90D 50X600 HDG	483287	600	23,62	1,58	3,48	0,7	0,03	HDG	30793	47,73

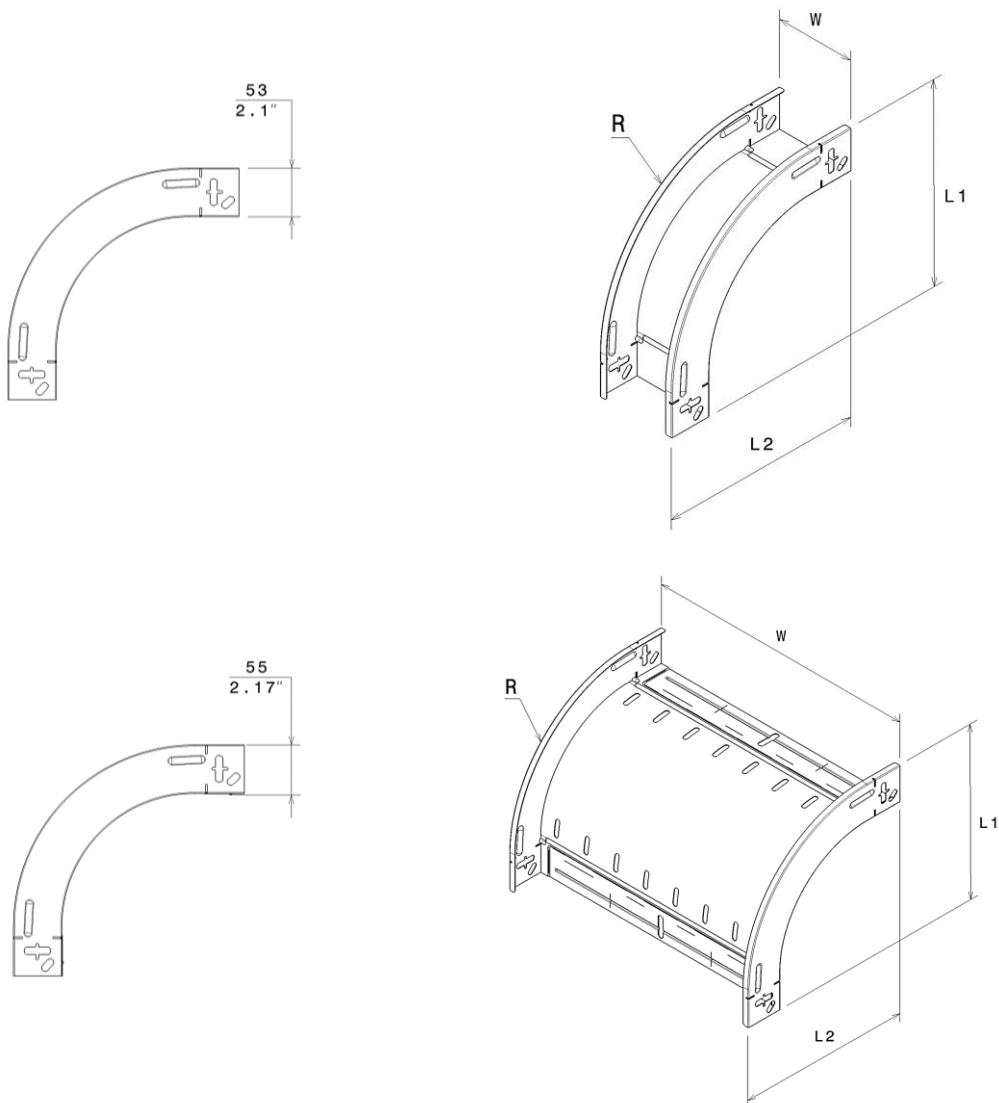
■ 2.5 Outside riser 90° H50 blind/perforated SS316L

Description	Code	Width min.		Weight		Thickness		Coating	Section	
		(mm)	(inch)	(Kg)	(lb)	(mm)	(inch)		(mm²)	(inch²)
P31-OUTSIDE RISER 90D 50X75 SS316L	480854	77	3,03	0,43	0,95	0,7	0,03	SS316L	3963	6,14
P31-OUTSIDE RISER 90D 50X100 SS316L	480855	100	3,94	0,48	1,05	0,7	0,03	SS316L	5181	8,03
P31-OUTSIDE RISER 90D 50X150 SS316L	480856	150	5,91	0,57	1,26	0,7	0,03	SS316L	7708	11,95
P31-OUTSIDE RISER PERF. 90D 50X200 SS316L	480857	200	7,87	0,67	1,47	0,7	0,03	SS316L	10273	15,92
P31-OUTSIDE RISER PERF. 90D 50X300 SS316L	480858	300	11,81	0,86	1,90	0,7	0,03	SS316L	15403	23,87
P31-OUTSIDE RISER PERF. 90D 50X400 SS316L	480859	400	15,75	1,05	2,32	0,7	0,03	SS316L	20533	31,83
P31-OUTSIDE RISER PERF. 90D 50X500 SS316L	480860	500	19,69	1,24	2,74	0,7	0,03	SS316L	25663	39,78
P31-OUTSIDE RISER PERF. 90D 50X600 SS316L	480861	600	23,62	1,43	3,16	0,7	0,03	SS316L	30793	47,73

**3. DIMENSIONS (mm/inch)**

**■ 3.1 Fitting dimensions**

Description	Width		Radius		L1		L2	
	(mm)	(inch)	(mm)	(inch)	(mm)	(inch)	(mm)	(inch)
P31-OUTSIDE RISER 90D 50X75	79	3,11	100	3,94	255	10,04	255	10,04
P31-OUTSIDE RISER 90D 50X100	102	4,02	100	3,94	255	10,04	255	10,04
P31-OUTSIDE RISER 90D 50X150	152	5,98	100	3,94	255	10,04	255	10,04
P31-OUTSIDE RISER 90D 50X200	202	7,95	100	3,94	255	10,04	255	10,04
P31-OUTSIDE RISER 90D 50X300	302	11,89	100	3,94	255	10,04	255	10,04
P31-OUTSIDE RISER 90D 50X400	402	15,83	100	3,94	255	10,04	255	10,04
P31-OUTSIDE RISER 90D 50X500	502	19,76	100	3,94	255	10,04	255	10,04
P31-OUTSIDE RISER 90D 50X600	602	23,70	100	3,94	255	10,04	255	10,04



**4. INSTALLATION**

■ **4.1 Screw and tools**

Use screws M6x12 tightened at 11Nm

Reference(s): 341895 / 03V1M610Z (PG)

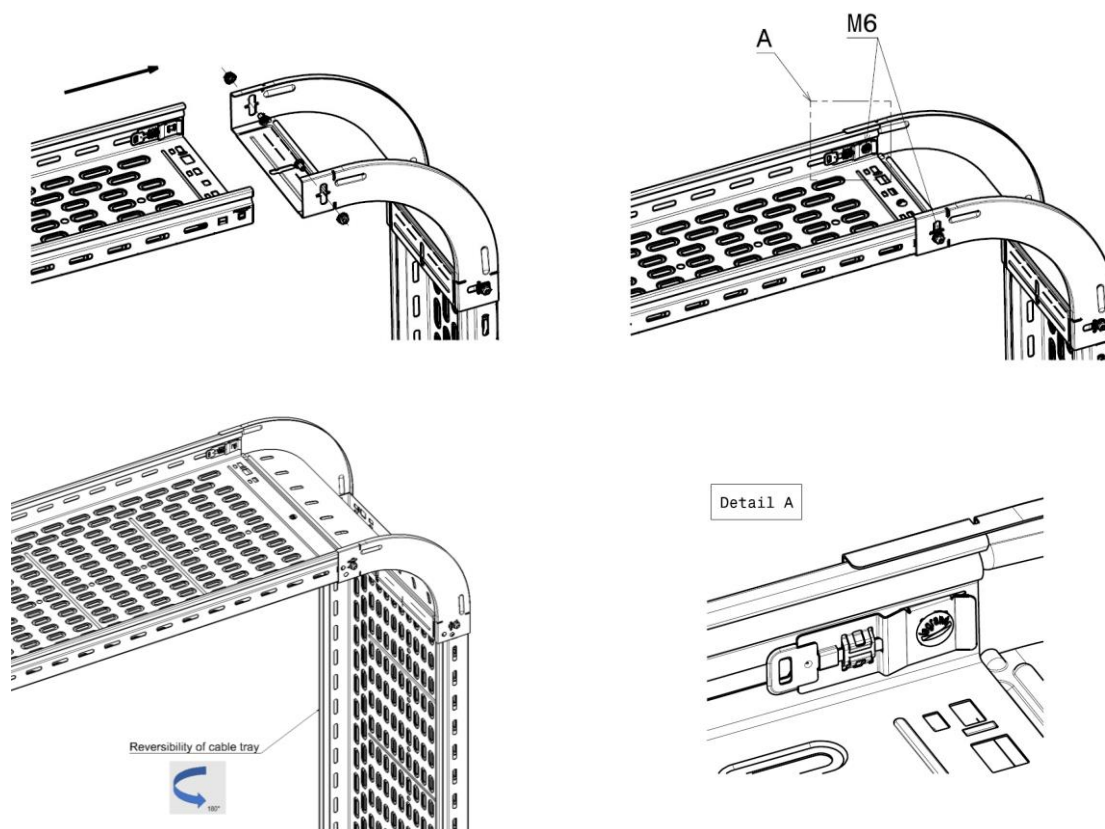
485035 (Zn-Ni)

346895/ 03V1M610L (SS316L)

■ **4.2 Fitting to cable tray**

Outside riser height 50 are assembled using 6 screws M6x12 on the side and on the bottom.

The screws in the middle is optional up to and included width 300mm.



**5. TECHNICAL DATA**

■ **5.1 Climatic characteristics**

Storage and operating temperature: - 20° C à + 120° C

■ **5.2 Material characteristics**

Material finish	Material	Standard	Resistance class against corrosion
PG	DX51D + Z200	EN 10346	Classe 3 - CEI 61537
BLUE	DX51D + Z200	EN 10346	Classe 3 - CEI 61537
HDG	DC 01	EN 10130	Classe 6 - CEI 61537
SS304	X5CrNi18-10	EN 10 088-2	Classe 9A - CEI 61537
SS316L	X2CrNiMo17-12-2	EN 10 088-2	Classe 9B - CEI 61537

**6. CONFORMITY - CERTIFICATION**

Comply with CEI 61537 Cable tray systems.

Certification: CE, IMQ