

## P31 - INSIDE RISER 90° H50

Reference(s): 480838-4809../80/81/82/83/84/85/86  
4830../60/61/62/63/64/65/66  
482838-4829../80/81/82/83/84/85/86  
4830../90/91/92/93/94/95/96  
4804../06/07/08/09/10/11/12/13



### 1. USE

Inside riser 90° in H50 with blind/perforated bottom.

### 2. RANGE BLIND

#### ■ 2.1 Inside riser 90° H50 blind PG

Description	Code	Width min.		Weight		Thickness		Coating	Section	
		(mm)	(inch)	(Kg)	(lb)	(mm)	(inch)		(mm²)	(inch²)
P31-INSIDE RISER 90D 50X 75 PG	480838	77	3,03	0,39	0,86	0,7	0,03	PG	3963	6,14
P31-INSIDE RISER 90D 50X100 PG	480980	100	3,94	0,43	0,94	0,7	0,03	PG	5181	8,03
P31-INSIDE RISER 90D 50X150 PG	480981	150	5,91	0,53	1,16	0,7	0,03	PG	7708	11,95
P31-INSIDE RISER 90D 50X200 PG	480982	200	7,87	0,63	1,39	0,7	0,03	PG	10273	15,92
P31-INSIDE RISER 90D 50X300 PG	480983	300	11,81	0,83	1,83	0,7	0,03	PG	15403	23,87
P31-INSIDE RISER 90D 50X400 PG	480984	400	15,75	1,02	2,25	0,7	0,03	PG	20533	31,83
P31-INSIDE RISER 90D 50X500 PG	480985	500	19,69	1,21	2,67	0,7	0,03	PG	25663	39,78
P31-INSIDE RISER 90D 50X600 PG	480986	600	23,62	1,40	3,09	0,7	0,03	PG	30793	47,73

#### ■ 2.2 Inside riser 90° H50 perforated PG

Description	Code	Width min.		Weight		Thickness		Coating	Section	
		(mm)	(inch)	(Kg)	(lb)	(mm)	(inch)		(mm²)	(inch²)
P31-INSIDE RISER 90D PERF. 50X100 PG	483060	100	3,94	0,43	0,94	0,7	0,03	PG	5181	8,03
P31-INSIDE RISER 90D PERF. 50X150 PG	483061	150	5,91	0,52	1,15	0,7	0,03	PG	7708	11,95
P31-INSIDE RISER 90D PERF. 50X200 PG	483062	200	7,87	0,62	1,37	0,7	0,03	PG	10273	15,92
P31-INSIDE RISER 90D PERF. 50X300 PG	483063	300	11,81	0,82	1,81	0,7	0,03	PG	15403	23,87
P31-INSIDE RISER 90D PERF. 50X400 PG	483064	400	15,75	1,00	2,20	0,7	0,03	PG	20533	31,83
P31-INSIDE RISER 90D PERF. 50X500 PG	483065	500	19,69	1,19	2,62	0,7	0,03	PG	25663	39,78
P31-INSIDE RISER 90D PERF. 50X600 PG	483066	600	23,62	1,38	3,04	0,7	0,03	PG	30793	47,73

## ■ 2.3 Inside riser 90° H50 blind HDG

Description	Code	Width min.		Weight		Thickness		Coating	Section	
		(mm)	(inch)	(Kg)	(lb)	(mm)	(inch)		(mm <sup>2</sup> )	(inch <sup>2</sup> )
P31-INSIDE RISER 90D 50X 75 HDG	482838	77	3,03	0,43	0,95	0,7	0,03	HDG	3963	6,14
P31-INSIDE RISER 90D 50X100 HDG	482980	100	3,94	0,47	1,04	0,7	0,03	HDG	5181	8,03
P31-INSIDE RISER 90D 50X150 HDG	482981	150	5,91	0,58	1,27	0,7	0,03	HDG	7708	11,95
P31-INSIDE RISER 90D 50X200 HDG	482982	200	7,87	0,69	1,53	0,7	0,03	HDG	10273	15,92
P31-INSIDE RISER 90D 50X300 HDG	482983	300	11,81	0,91	2,01	0,7	0,03	HDG	15403	23,87
P31-INSIDE RISER 90D 50X400 HDG	482984	400	15,75	1,12	2,47	0,7	0,03	HDG	20533	31,83
P31-INSIDE RISER 90D 50X500 HDG	482985	500	19,69	1,33	2,93	0,7	0,03	HDG	25663	39,78
P31-INSIDE RISER 90D 50X600 HDG	482986	600	23,62	1,54	3,40	0,7	0,03	HDG	30793	47,73

## ■ 2.4 Inside riser 90° H50 perforated HDG

Description	Code	Width min.		Weight		Thickness		Coating	Section	
		(mm)	(inch)	(Kg)	(lb)	(mm)	(inch)		(mm <sup>2</sup> )	(inch <sup>2</sup> )
P31-INSIDE RISER 90D PERF. 50X100 HDG	483090	100	3,94	0,47	1,04	0,7	0,03	HDG	5181	8,03
P31-INSIDE RISER 90D PERF. 50X150 HDG	483091	150	5,91	0,57	1,26	0,7	0,03	HDG	7708	11,95
P31-INSIDE RISER 90D PERF. 50X200 HDG	483092	200	7,87	0,68	1,50	0,7	0,03	HDG	10273	15,92
P31-INSIDE RISER 90D PERF. 50X300 HDG	483093	300	11,81	0,90	1,99	0,7	0,03	HDG	15403	23,87
P31-INSIDE RISER 90D PERF. 50X400 HDG	483094	400	15,75	1,10	2,43	0,7	0,03	HDG	20533	31,83
P31-INSIDE RISER 90D PERF. 50X500 HDG	483095	500	19,69	1,31	2,89	0,7	0,03	HDG	25663	39,78
P31-INSIDE RISER 90D PERF. 50X600 HDG	483096	600	23,62	1,52	3,35	0,7	0,03	HDG	30793	47,73

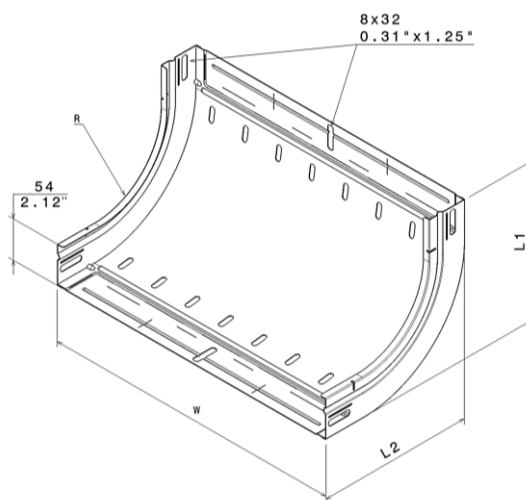
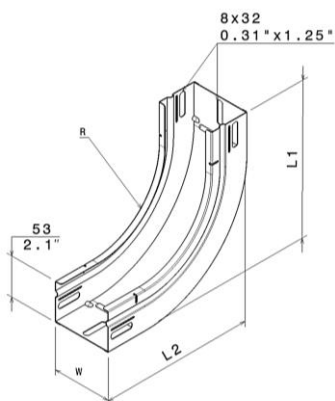
## ■ 2.5 Inside riser 90° H50 blind SS316L

Description	Code	Width min.		Weight		Thickness		Coating	Section	
		(mm)	(inch)	(Kg)	(lb)	(mm)	(inch)		(mm <sup>2</sup> )	(inch <sup>2</sup> )
P31-INSIDE RISER 90D 50X 75 316L	480406	77	3,03	0,39	0,86	0,7	0,03	SS316L	3963	6,14
P31-INSIDE RISER 90D 50X100 316L	480407	100	3,94	0,43	0,94	0,7	0,03	SS316L	5181	8,03
P31-INSIDE RISER 90D 50X150 316L	480408	150	5,91	0,53	1,16	0,7	0,03	SS316L	7708	11,95
P31-INSIDE RISER 90D 50X200 316L	480409	200	7,87	0,63	1,39	0,7	0,03	SS316L	10273	15,92
P31-INSIDE RISER 90D 50X300 316L	480410	300	11,81	0,83	1,83	0,7	0,03	SS316L	15403	23,87
P31-INSIDE RISER 90D 50X400 316L	480411	400	15,75	1,02	2,25	0,7	0,03	SS316L	20533	31,83
P31-INSIDE RISER 90D 50X500 316L	480412	500	19,69	1,21	2,67	0,7	0,03	SS316L	25663	39,78
P31-INSIDE RISER 90D 50X600 316L	480413	600	23,62	1,40	3,09	0,7	0,03	SS316L	30793	47,73

**3. DIMENSIONS (mm/inch)**

**■ 3.1 Fitting dimensions**

Description	Width		Radius		L1		L2	
	(mm)	(inch)	(mm)	(inch)	(mm)	(inch)	(mm)	(inch)
P31-INSIDE RISER 90D 50X 75	79	3,11	99	3,90	208	8,19	208	8,19
P31-INSIDE RISER 90D 50X100	104	4,09	100	3,94	208	8,19	208	8,19
P31-INSIDE RISER 90D 50X150	154	6,06	100	3,94	208	8,19	208	8,19
P31-INSIDE RISER 90D 50X200	204	8,03	100	3,94	209	8,23	209	8,23
P31-INSIDE RISER 90D 50X300	304	11,97	100	3,94	209	8,23	209	8,23
P31-INSIDE RISER 90D 50X400	404	15,91	100	3,94	209	8,23	209	8,23
P31-INSIDE RISER 90D 50X500	504	19,84	100	3,94	209	8,23	209	8,23
P31-INSIDE RISER 90D 50X600	604	23,78	100	3,94	209	8,23	209	8,23



## 4. INSTALLATION

### 4.1 Screw and tools

Use screws M6x12 tightened at 11Nm

Reference(s): 341895 / 03V1M610Z (PG)

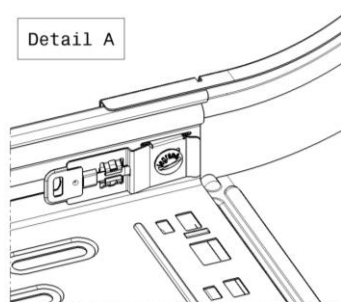
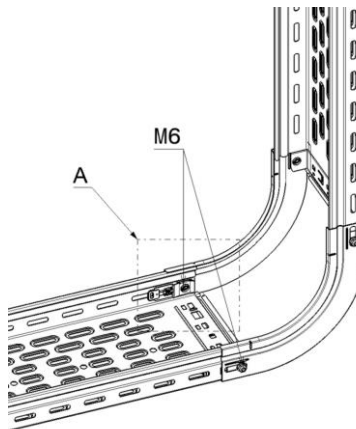
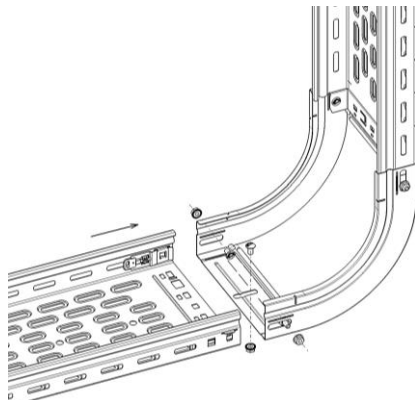
485035 (Zn-Ni)

346895/ 03V1M610L (SS316L)

### 4.2 Fitting to cable tray

Inside riser height 50 are assembled using 6 screws M6x12 on the side and on the bottom.

The screws in the middle is optional up to and included width 300mm.



## 5. TECHNICAL DATA

### 5.1 Climatic characteristics

Storage and operating temperature: - 20° C à + 120° C

### 5.2 Material characteristics

Material finish	Material	Standard	Resistance class against corrosion
PG	DX51D + Z200	EN 10346	Classe 3 - CEI 61537
BLUE	DX51D + Z200	EN 10346	Classe 3 - CEI 61537
HDG	DC 01	EN 10130	Classe 6 - CEI 61537
SS304	X5CrNi18-10	EN 10 088-2	Classe 9A - CEI 61537
SS316L	X2CrNiMo17-12-2	EN 10 088-2	Classe 9B - CEI 61537

## 6. CONFORMITY - CERTIFICATION

Comply with CEI 61537 Cable tray systems.

Certification: CE, IMQ