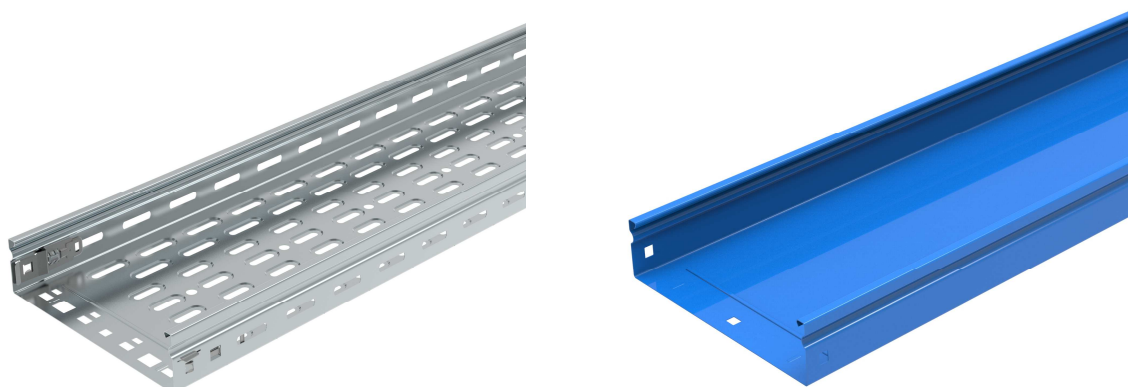


P31 – CABLE TRAYS H50



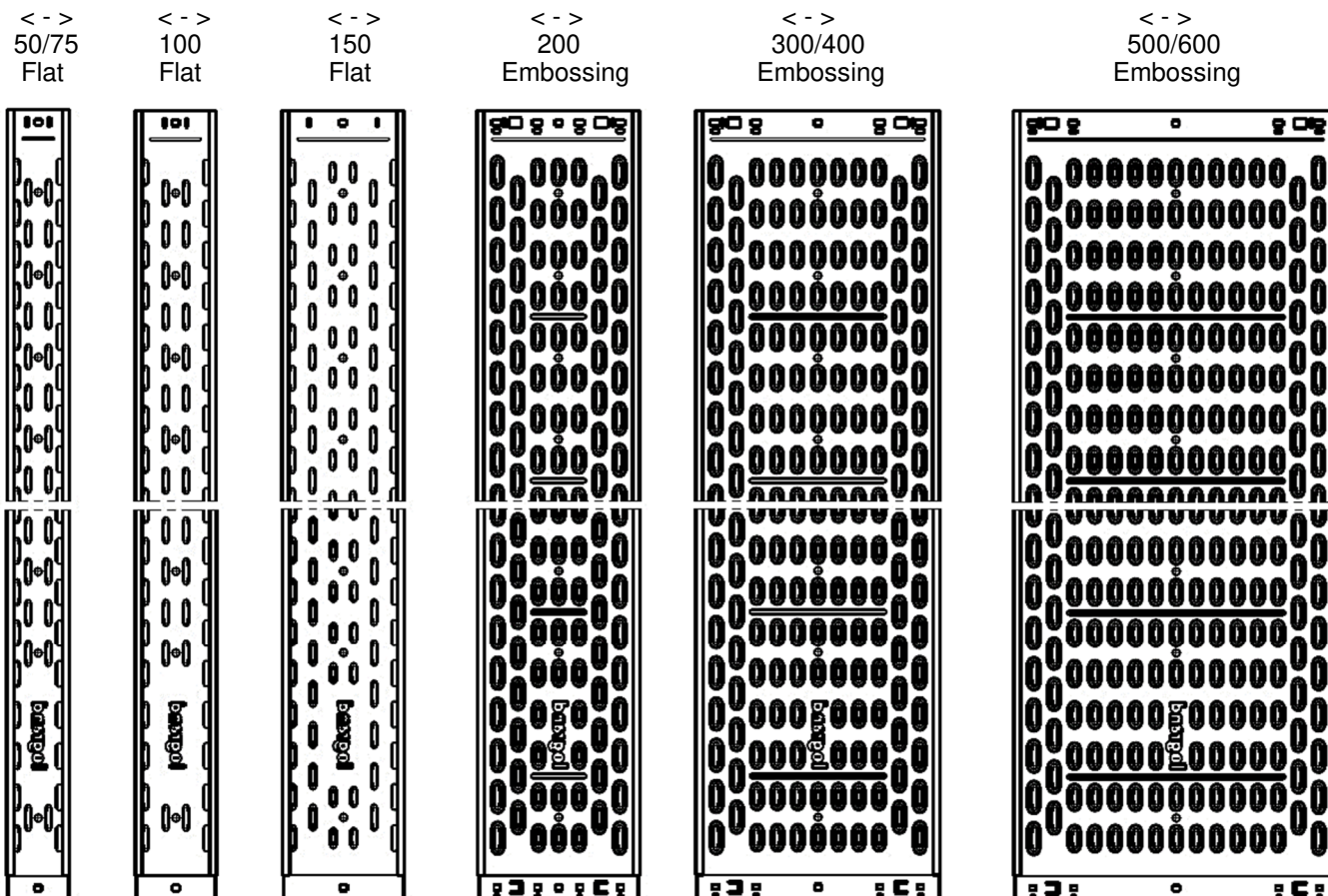
1. USE

Perforated and blind cable trays H50 male female automatic and male female to screw.

2. REFERENCE(S)

480052/480852/480053/480054/480155/480156/480057/480058/480059/482052/482852/482053/482054/482155/482156/482057/482058/482059/484052/
484053/484054/484055/484056/484057/484058/484059/481175/481100/481150/481201/481300/481400/481500/481600/480020/481252/480021/480022/
480023/480024/480078/480079/480081/482020/482021/482074/482075/482076/482077/482078/482079/482080/484020/484021/484022/484023/484024/
484078/484079/484080/481901/481902/481903/481904/481905/481906/481907/481908/480010/484010/480000/484000/487845/487847/487849/487851/
487859/487861/487863/487865/485330/485331/485332/485333/485334/485335/485336/485337/485338/485339/485340/485341/485342/485343/485344/
485345/485346/485347/488254/488255/488256/488257/488258/488259/488260/488261/486254/486255/486256/486257/486258/486259/486260/486261/
488263/488264/488265/488266/488267/488268/488269/488270/486263/486264/486265/486266/486267/486268/486269/486270

3. RANGE PERFORATED (PG, HDG, BLUE, RAL)



P31 – CABLE TRAYS H50

■ 3.1 Perforated cable trays male female automatic PG 3000mm + 30mm (118.11" + 1.18").

Description	Code	Width		Weight		Thickness		Coating	Section	
		(mm)	(inch)	(Kg)	(lb)	(mm)	(inch)		(mm²)	(inch²)
P31-TRAY PERF 3M M/F 50X75 AUT PG	481175	77	3,03	2,53	5,58	0,60	0,02	PG	3699	5,73
P31-TRAY PERF 3M M/F 50X100 AUT PG	481100	100	3,94	2,86	6,31	0,60	0,02	PG	4821	7,47
P31-TRAY PERF 3M M/F 50X150 AUT PG	481150	150	5,91	3,49	7,68	0,60	0,02	PG	7261	11,26
P31-TRAY PERF EMB 3M M/F 50X200 AUT PG	481201	200	7,87	4,15	9,15	0,60	0,02	PG	9701	15,04
P31-TRAY PERF EMB 3M M/F 50X300 AUT PG	481300	300	11,81	6,75	14,88	0,75	0,03	PG	14373	22,28
P31-TRAY PERF EMB 3M M/F 50X400 AUT PG	481400	400	15,75	9,89	21,79	0,90	0,04	PG	19193	29,75
P31-TRAY PERF EMB 3M M/F 50X500 AUT PG	481500	500	19,69	11,76	25,92	0,90	0,04	PG	24013	37,22
P31-TRAY PERF EMB 3M M/F 50X600 AUT PG	481600	600	23,62	13,63	30,06	0,90	0,04	PG	28833	44,69

■ 3.2 Perforated cable trays male female to screw PG 3000mm + 30mm (118.11" + 1.18").

Description	Code	Width		Weight		Thickness		Coating	Section	
		(mm)	(inch)	(Kg)	(lb)	(mm)	(inch)		(mm²)	(inch²)
P31-TRAY PERF 3M M/F 50X50 PG	480052	50	1,97	2,26	4,99	0,60	0,02	PG	2381	3,69
P31-TRAY PERF 3M M/F 50X75 PG	480852	77	3,03	2,53	5,58	0,60	0,02	PG	3699	5,73
P31-TRAY PERF 3M M/F 50X100 PG	480053	100	3,94	2,86	6,31	0,60	0,02	PG	4821	7,47
P31-TRAY PERF 3M M/F 50X150 PG	480054	150	5,91	3,49	7,68	0,60	0,02	PG	7261	11,26
P31-TRAY PERF EMB 3M M/F 50X200 PG	480155	200	7,87	4,15	9,15	0,60	0,02	PG	9701	15,04
P31-TRAY PERF EMB 3M M/F 50X300 PG	480156	300	11,81	6,75	14,88	0,75	0,03	PG	14581	22,60
P31-TRAY PERF EMB 3M M/F 50X400 PG	480057	400	15,75	9,89	21,80	0,90	0,04	PG	19193	29,75
P31-TRAY PERF EMB 3M M/F 50X500 PG	480058	500	19,69	11,76	25,93	0,90	0,04	PG	24013	37,22
P31-TRAY PERF EMB 3M M/F 50X600 PG	480059	600	23,62	13,64	30,06	0,90	0,04	PG	28833	44,69

■ 3.3 Perforated cable trays male female to screw HDG 3000mm + 30mm (118.11" + 1.18").

Description	Code	Width		Weight		Thickness		Coating	Section	
		(mm)	(inch)	(Kg)	(lb)	(mm)	(inch)		(mm²)	(inch²)
P31-TRAY PERF 3M M/F 50X50 HDG	482052	50	1,97	2,49	5,49	0,60	0,02	HDG	2381	3,69
P31-TRAY PERF 3M M/F 50X75 HDG	482852	77	3,03	2,79	6,14	0,60	0,02	HDG	3699	5,73
P31-TRAY PERF 3M M/F 50X100 HDG	482053	100	3,94	3,15	6,94	0,60	0,02	HDG	4821	7,47
P31-TRAY PERF 3M M/F 50X150 HDG	482054	150	5,91	3,83	8,45	0,60	0,02	HDG	7261	11,26
P31-TRAY PERF EMB 3M M/F 50X200 HDG	482155	200	7,87	4,57	10,07	0,60	0,02	HDG	9701	15,04
P31-TRAY PERF EMB 3M M/F 50X300 HDG	482156	300	11,81	7,43	16,37	0,75	0,03	HDG	14581	22,60
P31-TRAY PERF EMB 3M M/F 50X400 HDG	482057	400	15,75	10,88	23,98	0,90	0,04	HDG	19193	29,75
P31-TRAY PERF EMB 3M M/F 50X500 HDG	482058	500	19,69	12,94	28,53	0,90	0,04	HDG	24013	37,22
P31-TRAY PERF EMB 3M M/F 50X600 HDG	482059	600	23,62	15,00	33,07	0,90	0,04	HDG	28833	44,69

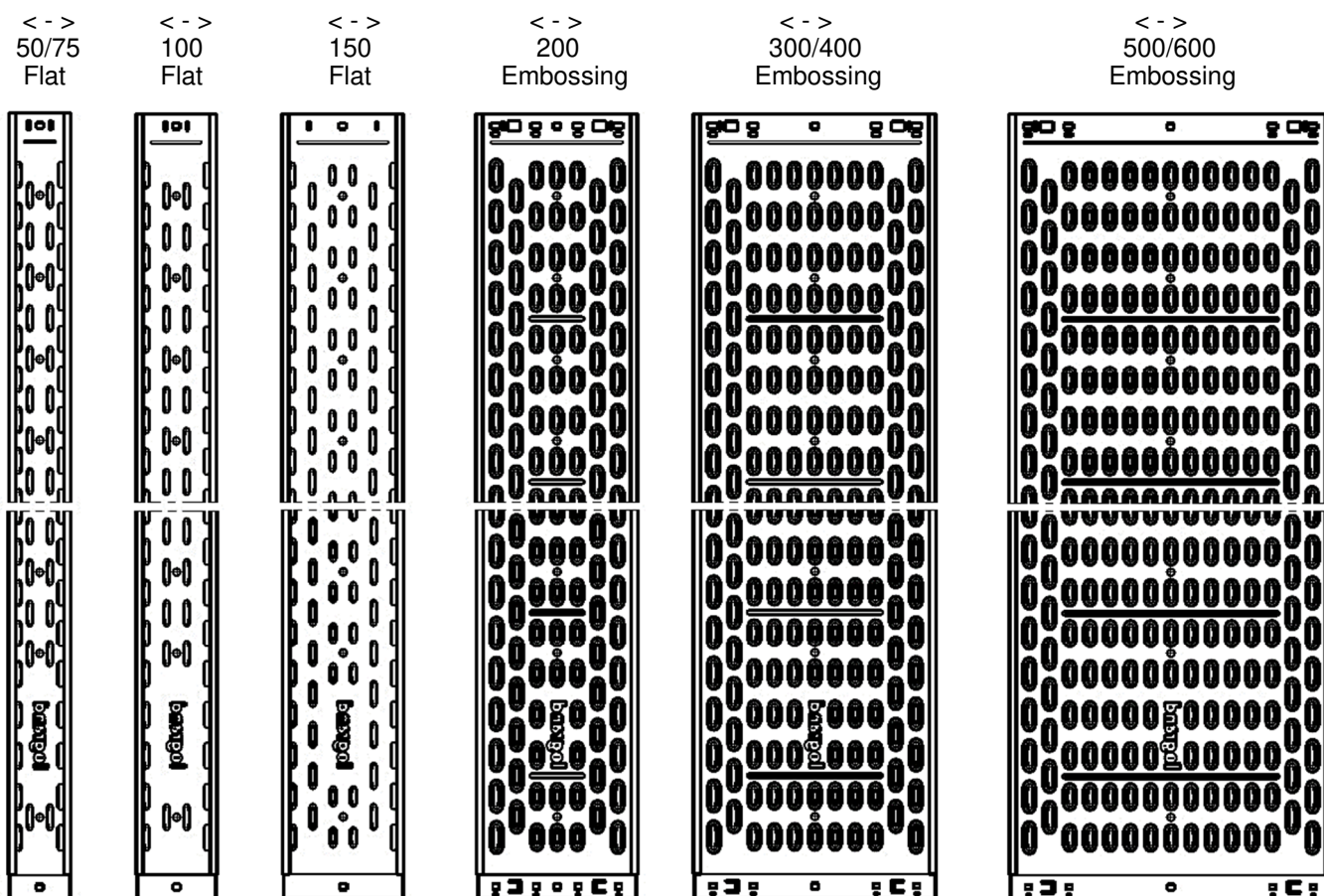
■ 3.4 Perforated cable trays male female to screw BLUE 3000mm + 30mm (118.11" + 1.18").

Description	Code	Width		Weight		Thickness		Coating	Section	
		(mm)	(inch)	(Kg)	(lb)	(mm)	(inch)		(mm²)	(inch²)
P31-TRAY PERF 3M M/F 50X50 BLUE	484052	50	1,97	2,28	5,03	0,60	0,02	BLUE	2381	3,69
P31-TRAY PERF 3M M/F 50X100 BLUE	484053	100	3,94	2,88	6,36	0,60	0,02	BLUE	4821	7,47
P31-TRAY PERF 3M M/F 50X150 BLUE	484054	150	5,91	3,51	7,73	0,60	0,02	BLUE	7261	11,26
P31-TRAY PERF 3M M/F 50X200 BLUE	484055	200	7,87	4,26	9,39	0,60	0,02	BLUE	9701	15,04
P31-TRAY PERF 3M M/F 50X300 BLUE	484056	300	11,81	6,94	15,30	0,90	0,04	BLUE	14581	22,60
P31-TRAY PERF 3M M/F 50X400 BLUE	484057	400	15,75	10,26	22,62	0,90	0,04	BLUE	19193	29,75
P31-TRAY PERF 3M M/F 50X500 BLUE	484058	500	19,69	12,22	26,94	0,90	0,04	BLUE	24013	37,22
P31-TRAY PERF 3M M/F 50X600 BLUE	484059	600	23,62	14,18	31,26	0,90	0,04	BLUE	28833	44,69

■ 3.5 Perforated cable trays male female to screw RAL 3000mm + 30mm (118.11" + 1.18").

Description	Code	Width		Weight		Thickness		Coating	Section	
		(mm)	(inch)	(Kg)	(lb)	(mm)	(inch)		(mm²)	(inch²)
P31-TRAY PERF 3M M/F 50X100 BLACK RAL9005	487849	100	3,94	2,86	6,31	0,60	0,02	RAL9005	4821	7,47
P31-TRAY PERF 3M M/F 50X300 BLACK RAL9005	487851	300	11,81	8,02	17,67	0,90	0,04	RAL9005	14373	22,28
P31-TRAY PERF 3M M/F 50X100 WHITE RAL9016	487863	100	3,94	2,86	6,31	0,60	0,02	RAL9016	4821	7,47
P31-TRAY PERF 3M M/F 50X300 WHITE RAL9016	487865	300	11,81	8,02	17,67	0,90	0,04	RAL9016	14373	22,28

4. RANGE PERFORATED (ZNMG)



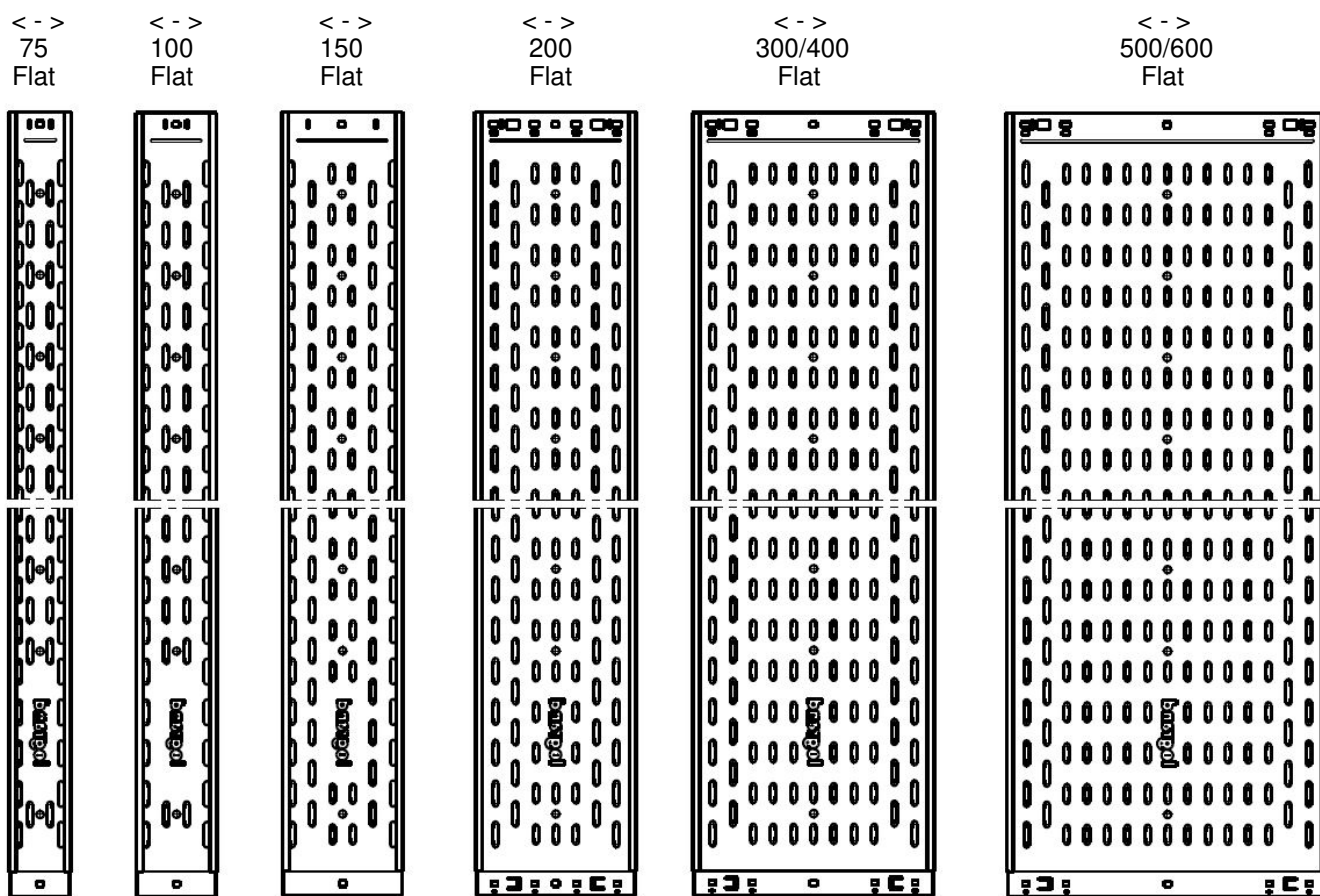
■ 4.1 Perforated cable trays male female to screw ZNMG 3000mm + 30mm (118.11" + 1.18").

Description	Code	Width		Weight		Thickness		Coating	Section	
		(mm)	(inch)	(Kg)	(lb)	(mm)	(inch)		(mm ²)	(inch ²)
P31-TRAY PERF 3M M/F 50X50 ZM	485330	50	1,97	2,30	5,07	0,60	0,02	ZNMG	2381	3,69

■ 4.2 Perforated cable trays male female automatic ZNMG 3000mm + 30mm (118.11" + 1.18").

Description	Code	Width		Weight		Thickness		Coating	Section	
		(mm)	(inch)	(Kg)	(lb)	(mm)	(inch)		(mm ²)	(inch ²)
P31-TRAY PERF 3M M/F 50X75 AUT ZM	485331	77	3,03	2,59	5,71	0,60	0,02	ZNMG	3699	5,73
P31-TRAY PERF 3M M/F 50X100 AUT ZM	485332	100	3,94	2,93	6,45	0,60	0,02	ZNMG	4821	7,47
P31-TRAY PERF 3M M/F 50X150 AUT ZM	485333	150	5,91	3,56	7,85	0,60	0,02	ZNMG	7261	11,26
P31-TRAY PERF EMB 3M M/F 50X200 AUT ZM	485334	200	7,87	4,24	9,34	0,60	0,02	ZNMG	9701	15,04
P31-TRAY PERF EMB 3M M/F 50X300 AUT ZM	485335	300	11,81	7,34	16,17	0,80	0,03	ZNMG	14373	22,28
P31-TRAY PERF EMB 3M M/F 50X400 AUT ZM	485336	400	15,75	11,19	24,66	1,00	0,04	ZNMG	19193	29,75
P31-TRAY PERF EMB 3M M/F 50X500 AUT ZM	485337	500	19,69	13,30	29,33	1,00	0,04	ZNMG	24013	37,22
P31-TRAY PERF EMB 3M M/F 50X600 AUT ZM	485338	600	23,62	15,42	34,00	1,00	0,04	ZNMG	28833	44,69

5. RANGE PERFORATED (SS304, SS316L)



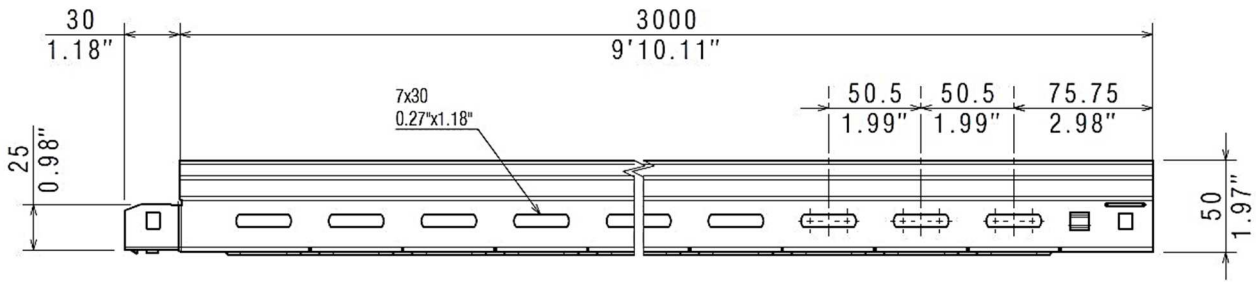
■ 5.1 Perforated cable trays male female automatic SS304 3000mm + 30mm (118.11" + 1.18").

Description	Code	Width		Weight		Thickness		Coating	Section	
		(mm)	(inch)	(Kg)	(lb)	(mm)	(inch)		(mm ²)	(inch ²)
P31-TRAY PERF FLAT 3M M/F 50X75 AUT 304	488254	77	3,03	2,56	5,63	0,60	0,02	SS304	3699	5,73
P31-TRAY PERF FLAT 3M M/F 50X100 AUT 304	488255	100	3,94	2,89	6,36	0,60	0,02	SS304	4821	7,47
P31-TRAY PERF FLAT 3M M/F 50X150 AUT 304	488256	150	5,91	3,52	7,75	0,60	0,02	SS304	7261	11,25
P31-TRAY PERF 3M M/F 50X200 AUT 304	488257	200	7,87	5,58	12,31	0,80	0,03	SS304	9701	15,04
P31-TRAY PERF 3M M/F 50X300 AUT 304	488258	300	11,81	7,19	15,84	0,80	0,03	SS304	14581	22,60
P31-TRAY PERF 3M M/F 50X400 AUT 304	488259	400	15,75	9,97	21,99	0,90	0,04	SS304	19193	29,75
P31-TRAY PERF 3M M/F 50X500 AUT 304	488260	500	19,69	11,86	26,16	0,90	0,04	SS304	24013	37,22
P31-TRAY PERF 3M M/F 50X600 AUT 304	488261	600	23,62	13,75	30,32	0,90	0,04	SS304	28833	44,69

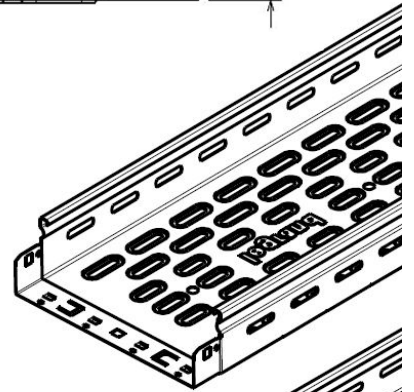
■ 5.2 Perforated cable trays male female automatic SS316L 3000mm + 30mm (118.11" + 1.18").

Description	Code	Width		Weight		Thickness		Coating	Section	
		(mm)	(inch)	(Kg)	(lb)	(mm)	(inch)		(mm ²)	(inch ²)
P31-TRAY PERF 3M M/F 50X75 AUT 316L	486254	77	3,03	2,57	5,67	0,60	0,02	SS316L	3699	5,73
P31-TRAY PERF 3M M/F 50X100 AUT 316L	486255	100	3,94	2,90	6,40	0,60	0,02	SS316L	4821	7,47
P31-TRAY PERF 3M M/F 50X150 AUT 316L	486256	150	5,91	3,54	7,80	0,60	0,02	SS316L	7261	11,25
P31-TRAY PERF 3M M/F 50X200 AUT 316L	486257	200	7,87	5,62	12,38	0,80	0,03	SS316L	9701	15,04
P31-TRAY PERF 3M M/F 50X300 AUT 316L	486258	300	11,81	7,23	15,94	0,80	0,03	SS316L	14581	22,60
P31-TRAY PERF 3M M/F 50X400 AUT 316L	486259	400	15,75	10,04	22,13	0,90	0,04	SS316L	19193	29,75
P31-TRAY PERF 3M M/F 50X500 AUT 316L	486260	500	19,69	11,94	26,32	0,90	0,04	SS316L	24013	37,22
P31-TRAY PERF 3M M/F 50X600 AUT 316L	486261	600	23,62	13,84	30,51	0,90	0,04	SS316L	28833	44,69

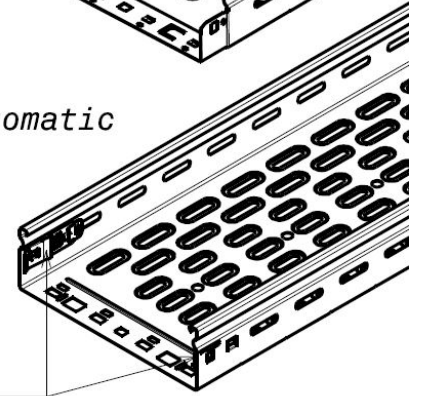
6. DIMENSIONS PERFORATED (mm/inch)



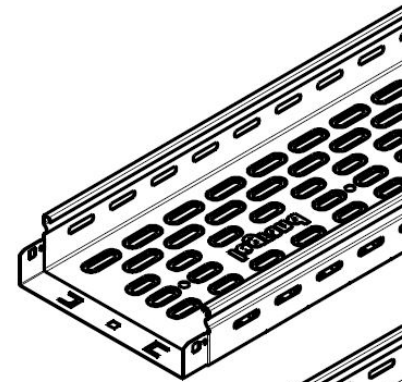
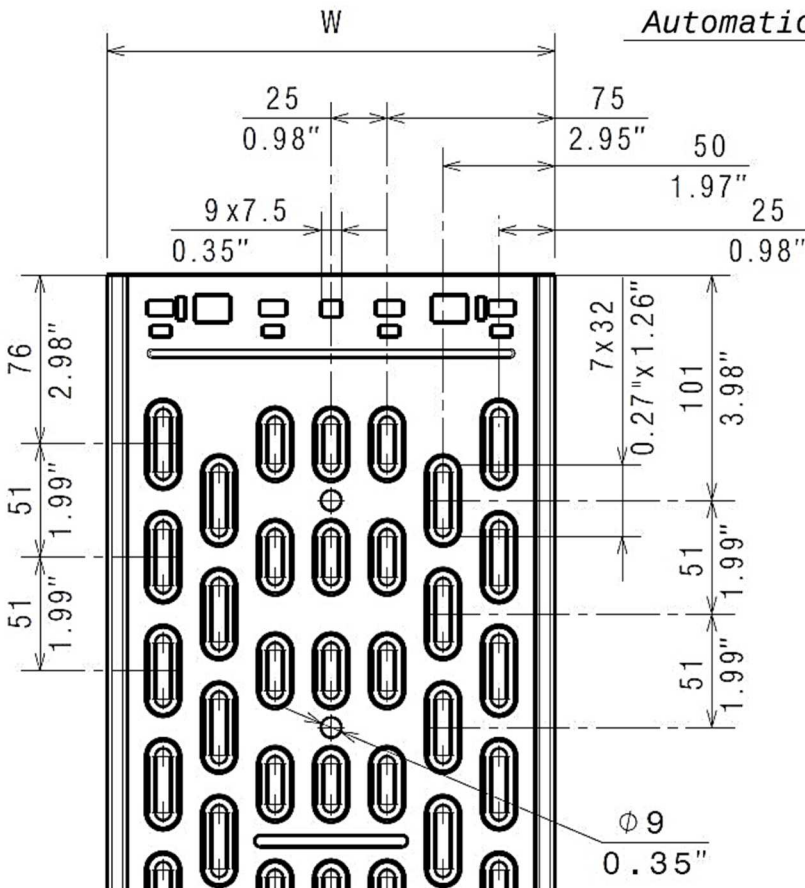
Description	Width (W)	
	(mm)	(inch)
P31-TRAY PERFORATED 50X50	50	1,97
P31-TRAY PERFORATED 50X75	77	3,03
P31-TRAY PERFORATED 50X100	100	3,94
P31-TRAY PERFORATED 50X150	150	5,91
P31-TRAY PERFORATED 50X200	200	7,87
P31-TRAY PERFORATED 50X300	300	11,81
P31-TRAY PERFORATED 50X400	400	15,75
P31-TRAY PERFORATED 50X500	500	19,69
P31-TRAY PERFORATED 50X600	600	23,62



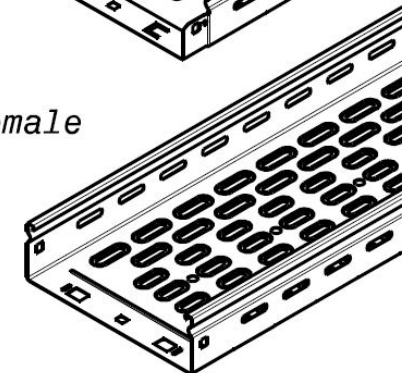
Male/Female Automatic



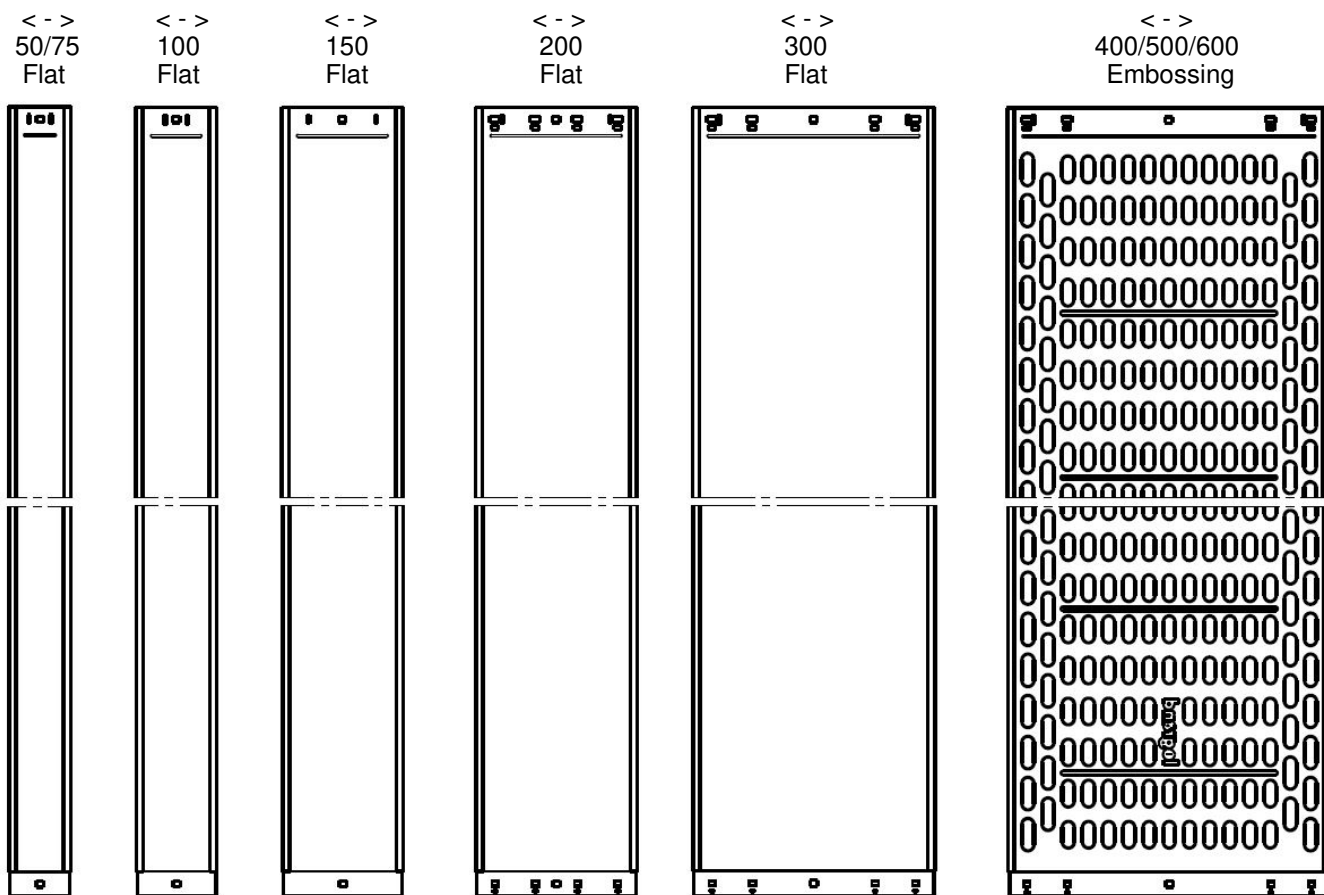
Automatic Coupler



Male/Female



7. RANGE BLIND (PG, HDG, BLUE, RAL)



■ 7.1 Blind cable trays male female automatic PG 3000mm + 30mm (118.11" + 1.18").

Description	Code	Width		Weight		Thickness		Coating	Section	
		(mm)	(inch)	(Kg)	(lb)	(mm)	(inch)		(mm ²)	(inch ²)
P31-TRAY BLIND FLAT 3M M/F 50X75 AUT PG	481901	77	3,03	2,88	6,36	0,60	0,02	PG	3699	5,73
P31-TRAY BLIND FLAT 3M M/F 50X100 AUT PG	481902	100	3,94	3,21	7,08	0,60	0,02	PG	4821	7,47
P31-TRAY BLIND FLAT 3M M/F 50X150 AUT PG	481903	150	5,91	3,93	8,66	0,60	0,02	PG	7261	11,26
P31-TRAY BLIND FLAT 3M M/F 50X200 AUT PG	481904	200	7,87	4,64	10,22	0,60	0,02	PG	9701	15,04
P31-TRAY BLIND FLAT 3M M/F 50X300 AUT PG	481905	300	11,81	9,01	19,87	0,90	0,04	PG	14373	22,28
P31-TRAY BLIND EMB 3M M/F 50X400 AUT PG	481906	400	15,75	11,16	24,59	0,90	0,04	PG	19193	29,75
P31-TRAY BLIND EMB 3M M/F 50X500 AUT PG	481907	500	19,69	13,30	29,32	0,90	0,04	PG	24013	37,22
P31-TRAY BLIND EMB 3M M/F 50X600 AUT PG	481908	600	23,62	15,44	34,05	0,90	0,04	PG	28833	44,69

■ 7.2 Blind cable trays male female to screw PG 3000mm + 30mm (118.11" + 1.18").

Description	Code	Width		Weight		Thickness		Coating	Section	
		(mm)	(inch)	(Kg)	(lb)	(mm)	(inch)		(mm ²)	(inch ²)
P31-TRAY BLIND FLAT 3M M/F 50X50 PG	480020	50	1,97	2,50	5,51	0,60	0,02	PG	2381	3,69
P31-TRAY BLIND FLAT 3M M/F 50X75 PG	481252	77	3,03	2,88	6,36	0,60	0,02	PG	3699	5,73
P31-TRAY BLIND FLAT 3M M/F 50X100 PG	480021	100	3,94	3,21	7,08	0,60	0,02	PG	4821	7,47
P31-TRAY BLIND FLAT 3M M/F 50X150 PG	480022	150	5,91	3,93	8,66	0,60	0,02	PG	7261	11,26
P31-TRAY BLIND FLAT 3M M/F 50X200 PG	480023	200	7,87	4,64	10,23	0,60	0,02	PG	9701	15,04
P31-TRAY BLIND FLAT 3M M/F 50X300 PG	480024	300	11,81	9,02	19,88	0,90	0,04	PG	14373	22,28
P31-TRAY BLIND EMB 3M M/F 50X400 PG	480078	400	15,75	11,16	24,60	0,90	0,04	PG	19193	29,75
P31-TRAY BLIND EMB 3M M/F 50X500 PG	480079	500	19,69	13,30	29,33	0,90	0,04	PG	24013	37,22
P31-TRAY BLIND EMB 3M M/F 50X600 PG	480081	600	23,62	15,45	34,05	0,90	0,04	PG	28833	44,69

■ 7.3 Blind cable trays male female to screw PG 1990mm + 30mm (78.35" + 1.18").

Description	Code	Width		Weight		Thickness		Coating	Section	
		(mm)	(inch)	(Kg)	(lb)	(mm)	(inch)		(mm ²)	(inch ²)
P31-TRAY BLIND FLAT 2M M/F 50X50 PG	480010	50	1,97	1,67	3,69	0,60	0,02	PG	2381	3,69

■ 7.4 Blind cable trays male female to screw PG 980mm + 30mm (38.58" + 1.18").

Description	Code	Width		Weight		Thickness		Coating	Section	
		(mm)	(inch)	(Kg)	(lb)	(mm)	(inch)		(mm ²)	(inch ²)
P31-TRAY BLIND FLAT 1M M/F 50X50 PG	480000	50	1,97	0,83	1,83	0,60	0,02	PG	2381	3,69

P31 – CABLE TRAYS H50

■ 7.5 Blind cable trays male female to screw HDG 3000mm + 30mm (118.11" + 1.18").

Description	Code	Width		Weight		Thickness		Coating	Section	
		(mm)	(inch)	(Kg)	(lb)	(mm)	(inch)		(mm²)	(inch²)
P31-TRAY BLIND FLAT 3M M/F 50X50 HDG	482020	50	1,97	2,75	6,06	0,60	0,02	HDG	2381	3,69
P31-TRAY BLIND FLAT 3M M/F 50X75 HDG	482021	77	3,03	3,17	6,99	0,60	0,02	HDG	3699	5,73
P31-TRAY BLIND FLAT 3M M/F 50X100 HDG	482074	100	3,94	3,53	7,79	0,60	0,02	HDG	4821	7,47
P31-TRAY BLIND FLAT 3M M/F 50X150 HDG	482075	150	5,91	4,32	9,52	0,60	0,02	HDG	7261	11,26
P31-TRAY BLIND FLAT 3M M/F 50X200 HDG	482076	200	7,87	5,10	11,25	0,60	0,02	HDG	9701	15,04
P31-TRAY BLIND FLAT 3M M/F 50X300 HDG	482077	300	11,81	9,92	21,87	0,90	0,04	HDG	14373	22,28
P31-TRAY BLIND EMB 3M M/F 50X400 HDG	482078	400	15,75	12,28	27,06	0,90	0,04	HDG	19193	29,75
P31-TRAY BLIND EMB 3M M/F 50X500 HDG	482079	500	19,69	14,63	32,26	0,90	0,04	HDG	24013	37,22
P31-TRAY BLIND EMB 3M M/F 50X600 HDG	482080	600	23,62	16,99	37,46	0,90	0,04	HDG	28833	44,69

■ 7.6 Blind cable trays male female to screw BLUE 3000mm + 30mm (118.11" + 1.18").

Description	Code	Width		Weight		Thickness		Coating	Section	
		(mm)	(inch)	(Kg)	(lb)	(mm)	(inch)		(mm²)	(inch²)
P31-TRAY BLIND FLAT 3M M/F 50X50 BLUE	484020	50	1,97	2,52	5,55	0,60	0,02	BLUE	2381	3,69
P31-TRAY BLIND FLAT 3M M/F 50X100 BLUE	484021	100	3,94	3,23	7,12	0,60	0,02	BLUE	4821	7,47
P31-TRAY BLIND FLAT 3M M/F 50X150 BLUE	484022	150	5,91	3,95	8,70	0,60	0,02	BLUE	7261	11,26
P31-TRAY BLIND FLAT 3M M/F 50X200 BLUE	484023	200	7,87	4,66	10,27	0,60	0,02	BLUE	9701	15,04
P31-TRAY BLIND FLAT 3M M/F 50X300 BLUE	484024	300	11,81	9,08	20,02	0,90	0,04	BLUE	14373	22,28
P31-TRAY BLIND EMB 3M M/F 50X400 BLUE	484078	400	15,75	11,16	24,60	0,90	0,04	BLUE	19193	29,75
P31-TRAY BLIND EMB 3M M/F 50X500 BLUE	484079	500	19,69	13,30	29,33	0,90	0,04	BLUE	24013	37,22
P31-TRAY BLIND EMB 3M M/F 50X600 BLUE	484080	600	23,62	15,45	34,05	0,90	0,04	BLUE	28833	44,69

■ 7.7 Blind cable trays male female to screw BLUE 1990mm + 30mm (78.35" + 1.18").

Description	Code	Width		Weight		Thickness		Coating	Section	
		(mm)	(inch)	(Kg)	(lb)	(mm)	(inch)		(mm²)	(inch²)
P31-TRAY BLIND FLAT 2M M/F 50X50 BLUE	484010	50	1,97	1,67	3,69	0,60	0,02	BLUE	2381	3,69

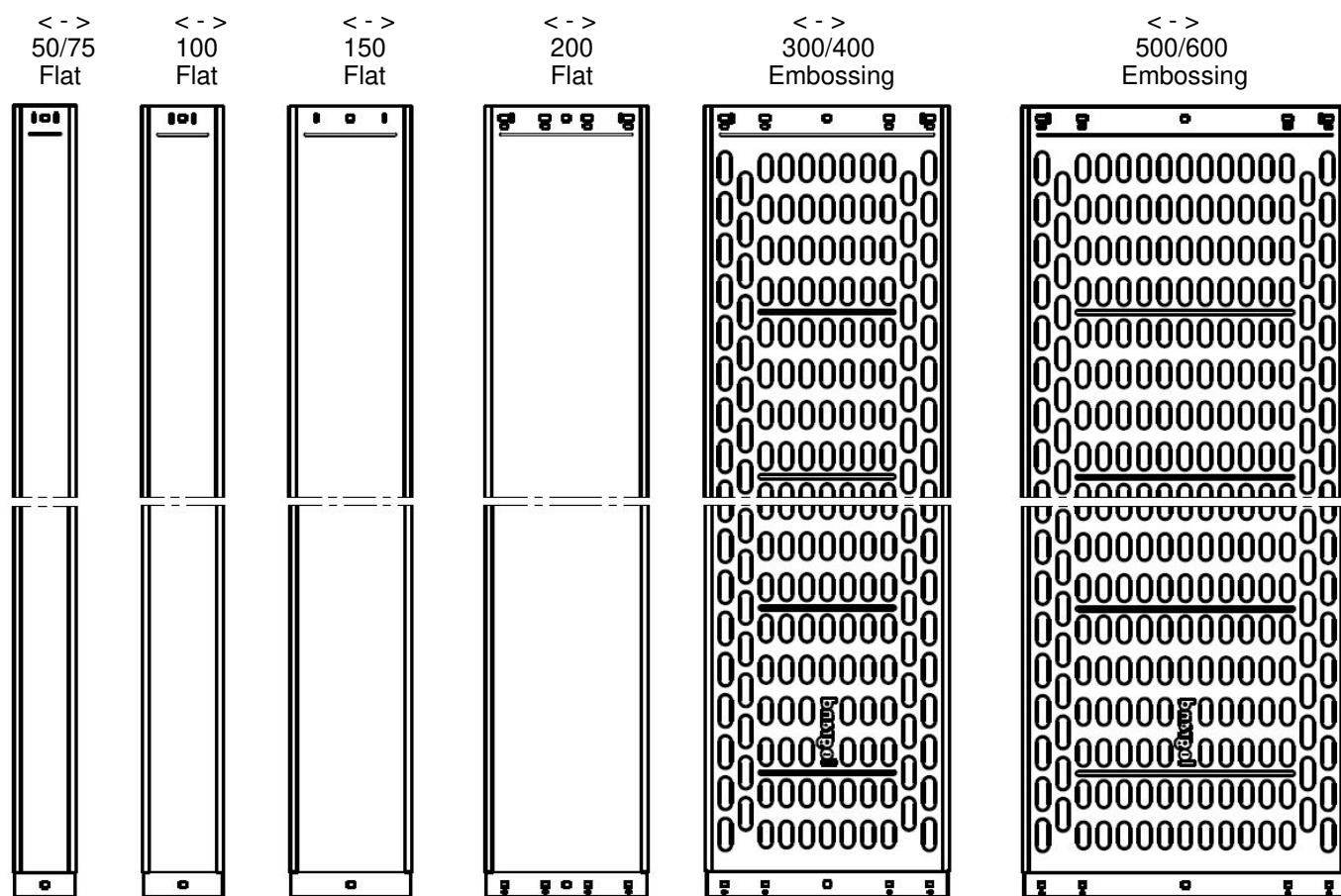
■ 7.8 Blind cable trays male female to screw BLUE 980mm + 30mm (38.35" + 1.18").

Description	Code	Width		Weight		Thickness		Coating	Section	
		(mm)	(inch)	(Kg)	(lb)	(mm)	(inch)		(mm²)	(inch²)
P31-TRAY BLIND FLAT 1M M/F 50X50 BLUE	484000	50	1,97	0,83	1,83	0,60	0,02	BLUE	2381	3,69

■ 7.9 Blind cable trays male female to screw RAL 3000mm + 30mm (118.11" + 1.18").

Description	Code	Width		Weight		Thickness		Coating	Section	
		(mm)	(inch)	(Kg)	(lb)	(mm)	(inch)		(mm²)	(inch²)
P31-TRAY BLIND FLAT 3M M/F 50X100 RAL9005	487845	100	3,94	3,21	7,08	0,60	0,02	RAL9005	4821	7,47
P31-TRAY BLIND FLAT 3M M/F 50X300 RAL9005	487847	300	11,81	9,02	19,88	0,90	0,04	RAL9005	14373	22,28
P31-TRAY BLIND FLAT 3M M/F 50X100 RAL9016	487859	100	3,94	3,21	7,08	0,60	0,02	RAL9016	4821	7,47
P31-TRAY BLIND FLAT 3M M/F 50X300 RAL9016	487861	300	11,81	9,02	19,88	0,90	0,04	RAL9016	14373	22,28

8. RANGE BLIND (ZNMG)



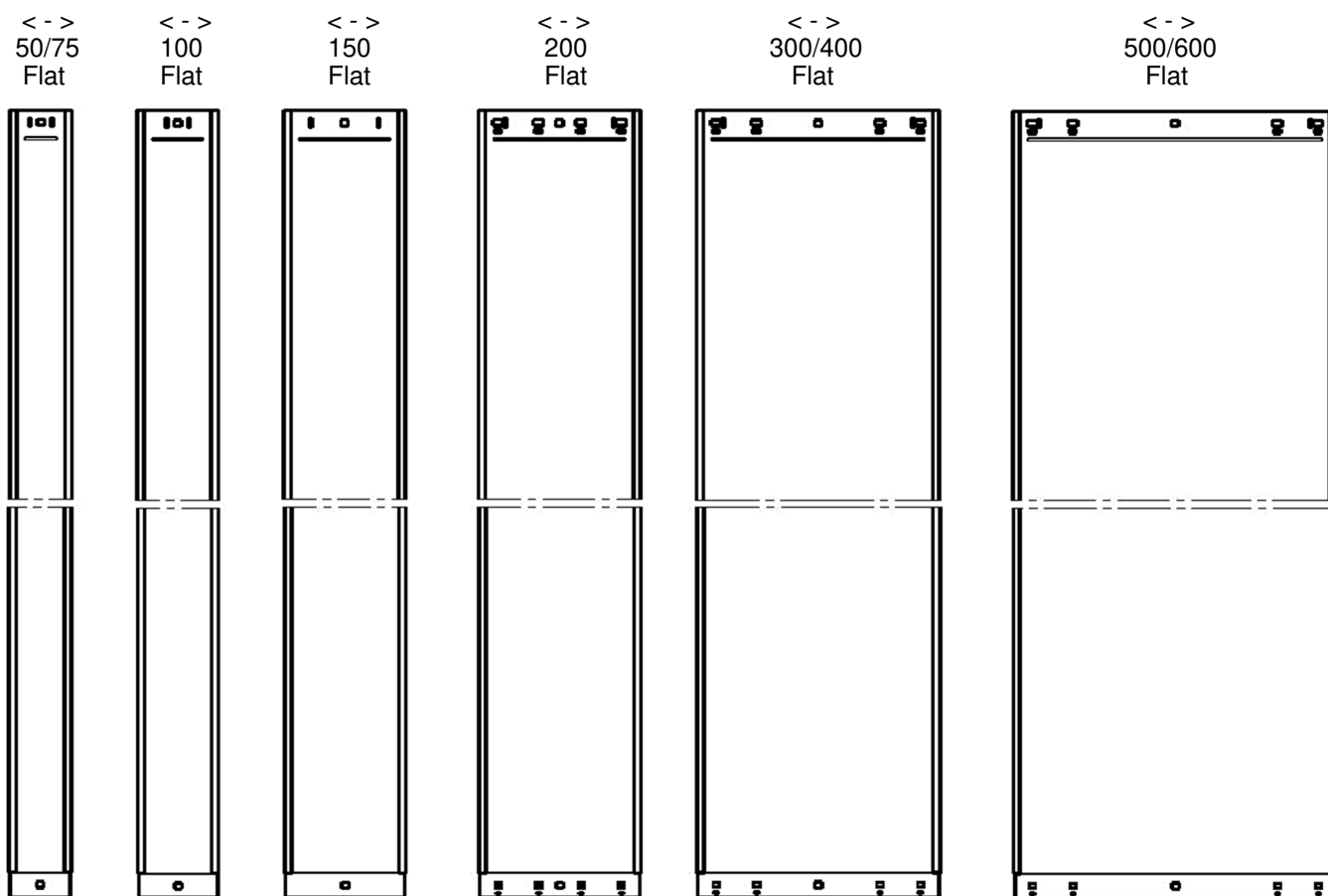
■ 8.1 Blind cable trays male female to screw ZNMG 3000mm + 30mm (118.11" + 1.18").

Description	Code	Width		Weight		Thickness		Coating	Section	
		(mm)	(inch)	(Kg)	(lb)	(mm)	(inch)		(mm²)	(inch²)
P31-TRAY BLIND FLAT 3M M/F 50X50 ZM	485339	50	1,97	2,54	5,59	0,60	0,02	ZNMG	2381	3,69

■ 8.2 Blind cable trays male female automatic ZNMG 3000mm + 30mm (118.11" + 1.18").

Description	Code	Width		Weight		Thickness		Coating	Section	
		(mm)	(inch)	(Kg)	(lb)	(mm)	(inch)		(mm²)	(inch²)
P31-TRAY BLIND FLAT 3M M/F 50X75 AUT ZM	485340	77	3,03	2,94	6,49	0,60	0,02	ZNMG	3699	5,73
P31-TRAY BLIND FLAT 3M M/F 50X100 AUT ZM	485341	100	3,94	3,28	7,23	0,60	0,02	ZNMG	4821	7,47
P31-TRAY BLIND FLAT 3M M/F 50X150 AUT ZM	485342	150	5,91	4,00	8,83	0,60	0,02	ZNMG	7261	11,26
P31-TRAY BLIND FLAT 3M M/F 50X200 AUT ZM	485343	200	7,87	4,73	10,42	0,60	0,02	ZNMG	9701	15,04
P31-TRAY BLIND FLAT 3M M/F 50X300 AUT ZM	485344	300	11,81	8,15	17,97	0,80	0,03	ZNMG	14373	22,28
P31-TRAY BLIND EMB 3M M/F 50X400 AUT ZM	485345	400	15,75	12,60	27,79	1,00	0,04	ZNMG	19193	29,75
P31-TRAY BLIND EMB 3M M/F 50X500 AUT ZM	485346	500	19,69	15,02	33,11	1,00	0,04	ZNMG	24013	37,22
P31-TRAY BLIND EMB 3M M/F 50X600 AUT ZM	485347	600	23,62	17,44	38,44	1,00	0,04	ZNMG	28833	44,69

9. RANGE BLIND (SS304, SS316L)



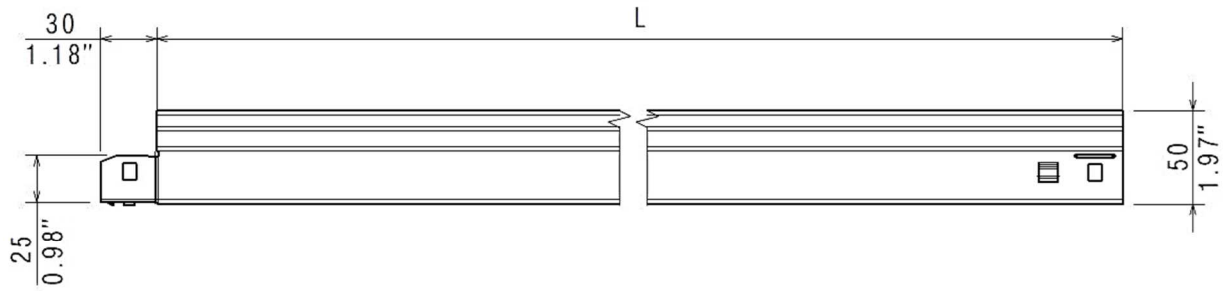
■ 9.1 Blind cable trays male female automatic SS304 3000mm + 30mm (118.11" + 1.18").

Description	Code	Width		Weight		Thickness		Coating	Section	
		(mm)	(inch)	(Kg)	(lb)	(mm)	(inch)		(mm ²)	(inch ²)
P31-TRAY BLIND 3M M/F 50X75 AUT 304	488263	77	3,03	2,91	6,42	0,60	0,02	SS304	3699	5,73
P31-TRAY BLIND 3M M/F 50X100 AUT 304	488264	100	3,94	3,24	7,15	0,60	0,02	SS304	4821	7,47
P31-TRAY BLIND 3M M/F 50X150 AUT 304	488265	150	5,91	3,96	8,74	0,60	0,02	SS304	7261	11,25
P31-TRAY BLIND 3M M/F 50X200 AUT 304	488266	200	7,87	6,24	13,75	0,80	0,03	SS304	9701	15,04
P31-TRAY BLIND 3M M/F 50X300 AUT 304	488267	300	11,81	8,08	17,82	0,80	0,03	SS304	14581	22,60
P31-TRAY BLIND 3M M/F 50X400 AUT 304	488268	400	15,75	11,26	24,81	0,90	0,04	SS304	19193	29,75
P31-TRAY BLIND 3M M/F 50X500 AUT 304	488269	500	19,69	13,42	29,58	0,90	0,04	SS304	24013	37,22
P31-TRAY BLIND 3M M/F 50X600 AUT 304	488270	600	23,62	15,58	34,35	0,90	0,04	SS304	28833	44,69

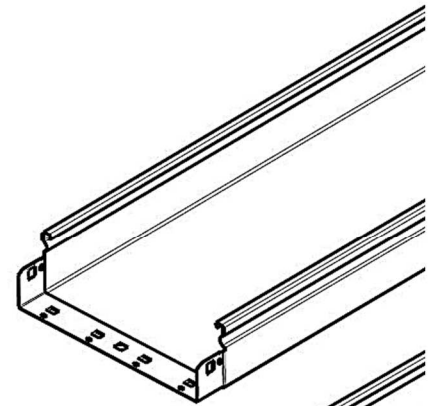
■ 9.2 Blind cable trays male female automatic SS316L 3000mm + 30mm (118.11" + 1.18").

Description	Code	Width		Weight		Thickness		Coating	Section	
		(mm)	(inch)	(Kg)	(lb)	(mm)	(inch)		(mm ²)	(inch ²)
P31-TRAY BLIND 3M M/F 50X75 AUT 316L	486263	77	3,03	2,93	6,46	0,60	0,02	SS316L	3699	5,73
P31-TRAY BLIND 3M M/F 50X100 AUT 316L	486264	100	3,94	3,26	7,19	0,60	0,02	SS316L	4821	7,47
P31-TRAY BLIND 3M M/F 50X150 AUT 316L	486265	150	5,91	3,99	8,79	0,60	0,02	SS316L	7261	11,25
P31-TRAY BLIND 3M M/F 50X200 AUT 316L	486266	200	7,87	6,28	13,84	0,80	0,03	SS316L	9701	15,04
P31-TRAY BLIND 3M M/F 50X300 AUT 316L	486267	300	11,81	8,13	17,93	0,80	0,03	SS316L	14581	22,60
P31-TRAY BLIND 3M M/F 50X400 AUT 316L	486268	400	15,75	11,33	24,97	0,90	0,04	SS316L	19193	29,75
P31-TRAY BLIND 3M M/F 50X500 AUT 316L	486269	500	19,69	13,50	29,77	0,90	0,04	SS316L	24013	37,22
P31-TRAY BLIND 3M M/F 50X600 AUT 316L	486270	600	23,62	15,68	34,57	0,90	0,04	SS316L	28833	44,69

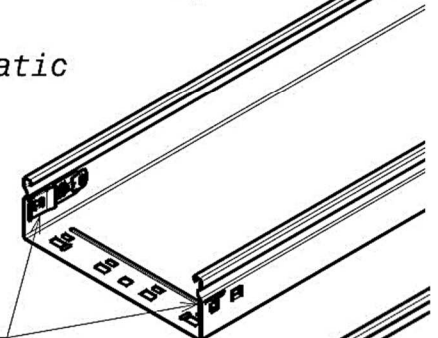
10. DIMENSIONS BLIND (mm/inch)



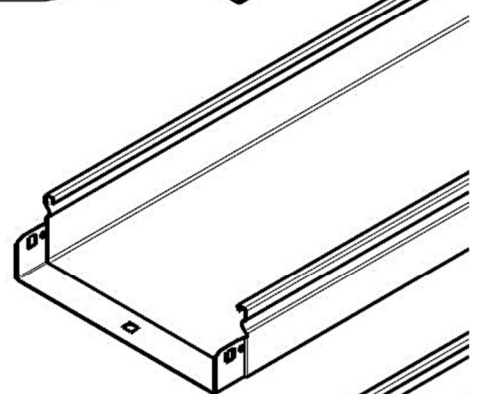
Description	Width (W)		Length (L)					
	(mm)	(inch)	(mm)	(inch)	(mm)	(inch)	(mm)	(inch)
P31-TRAY BLIND 50X50	50	1,97	980	38,58	1990	78,35	3000	118,11
P31-TRAY BLIND 50X75	77	3,03	980	38,58	1990	78,35	3000	118,11
P31-TRAY BLIND 50X100	100	3,94	980	38,58	1990	78,35	3000	118,11
P31-TRAY BLIND 50X150	150	5,91	980	38,58	1990	78,35	3000	118,11
P31-TRAY BLIND 50X200	200	7,87	980	38,58	1990	78,35	3000	118,11
P31-TRAY BLIND 50X300	300	11,81	980	38,58	1990	78,35	3000	118,11
P31-TRAY BLIND 50X400	400	15,75	---	---	---	---	3000	118,11
P31-TRAY BLIND 50X500	500	19,69	---	---	---	---	3000	118,11
P31-TRAY BLIND 50X600	600	23,62	---	---	---	---	3000	118,11



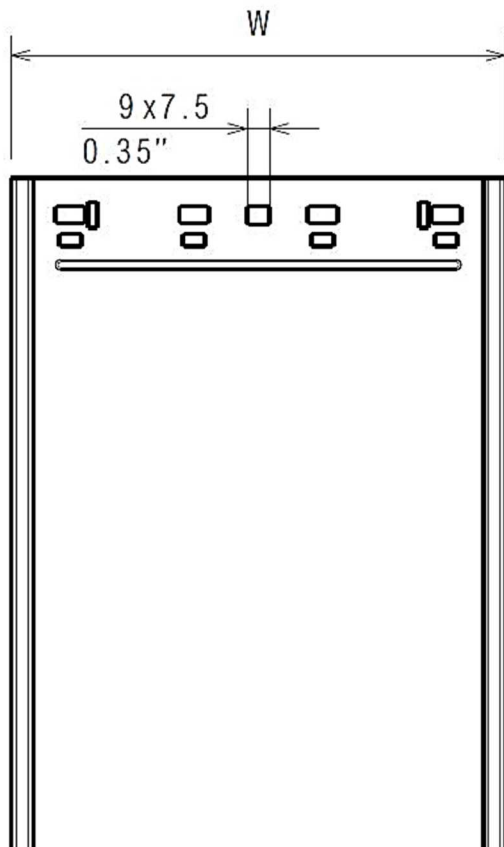
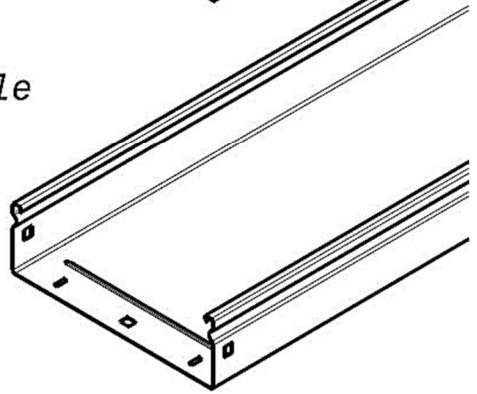
Male/Female Automatic



Automatic Coupler



Male/Female



11. INSTALLATION

■ 11.1 Screw

Use screws M6x12 tightened at 11Nm

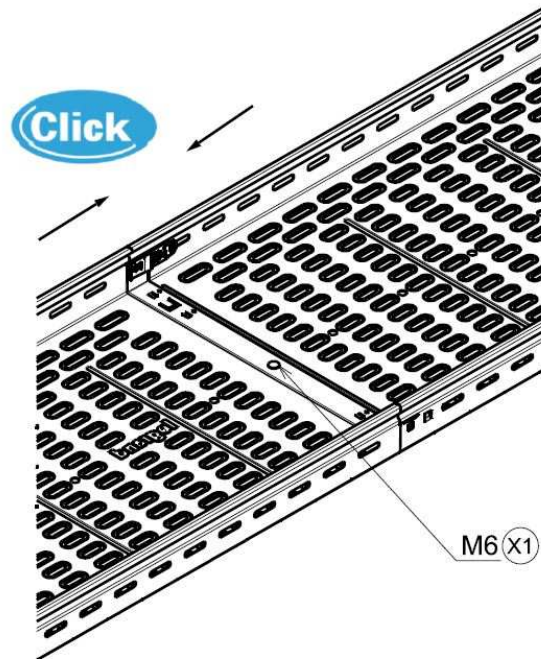
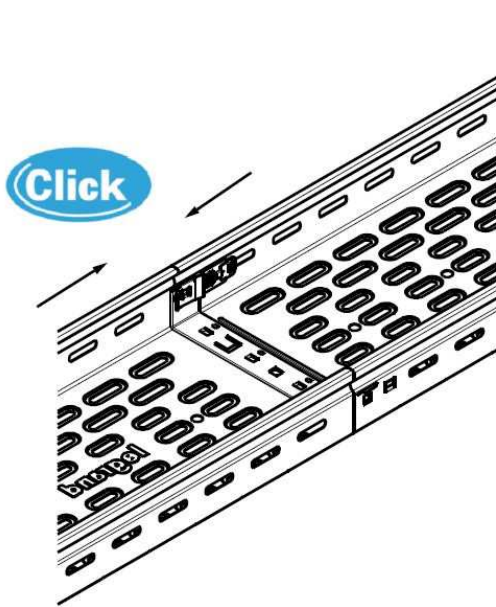
Reference(s): 341895/ 03V1M610Z (PG)
 485035 (Zn-Ni)
 346895/ 03V1M610L (SS316L)

■ 11.2 Perforated Male/Female Automatic

The automatic junction system does not need any screws up to and including width 300mm (11.81").
 Put an extra screw M6x12 in the middle from width 400mm (15.75") to 600mm (23.62").

- From W50mm (1,98") to W300mm (11,81")

- From W400mm (15,75") to W600mm (23,32")

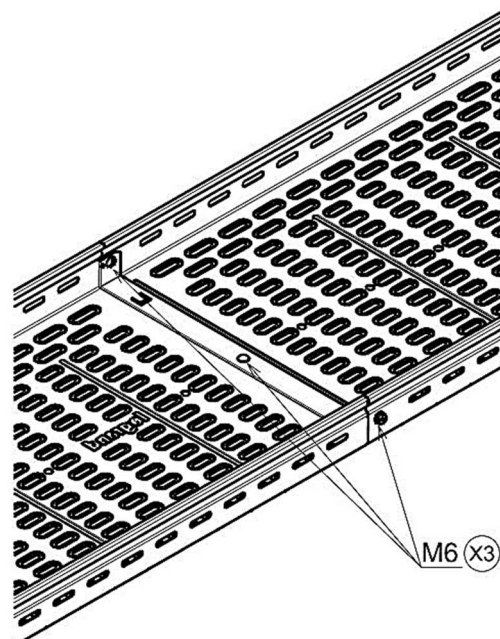
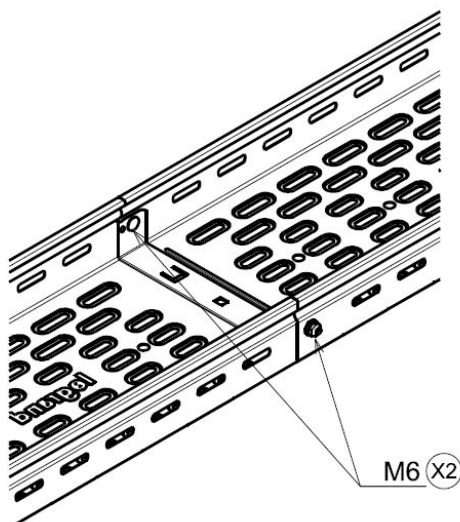


■ 11.3 Perforated Male/Female

Male/Female is assembled using 2 screws M6x12 on the side.
 Put an extra screw M6x12 in the middle from width 400mm (15.75") to 600mm (23.62").

- From W50mm (1,98") to W300mm (11,81")

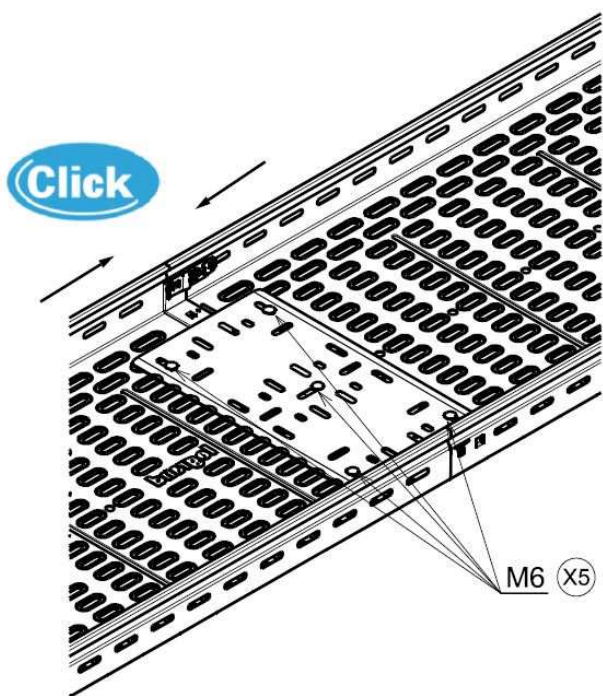
- From W400mm (15,75") to W600mm (23,32")



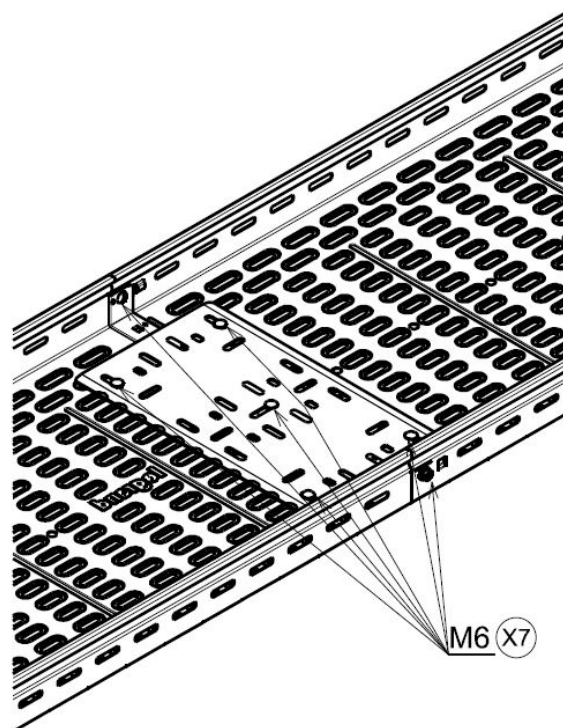
■ **11.4 Mounting bottom plate on perforated cable tray**

Put an extra bottom plate from width 400mm (15.75") to 600mm (23.62") using 5 additional screws M6x12 to improve the safety working load.

- Male/Female Automatic



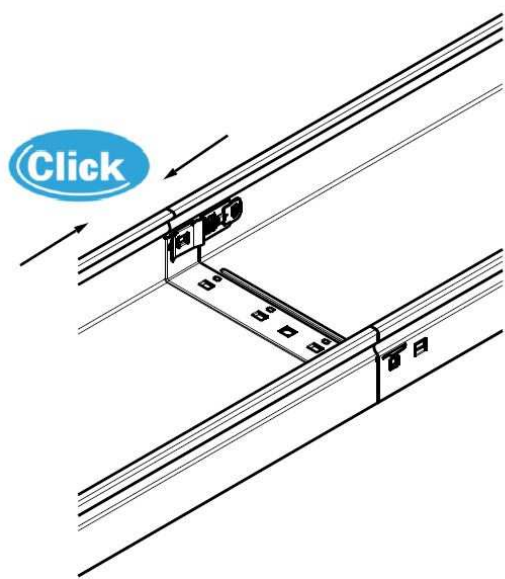
- Male/Female



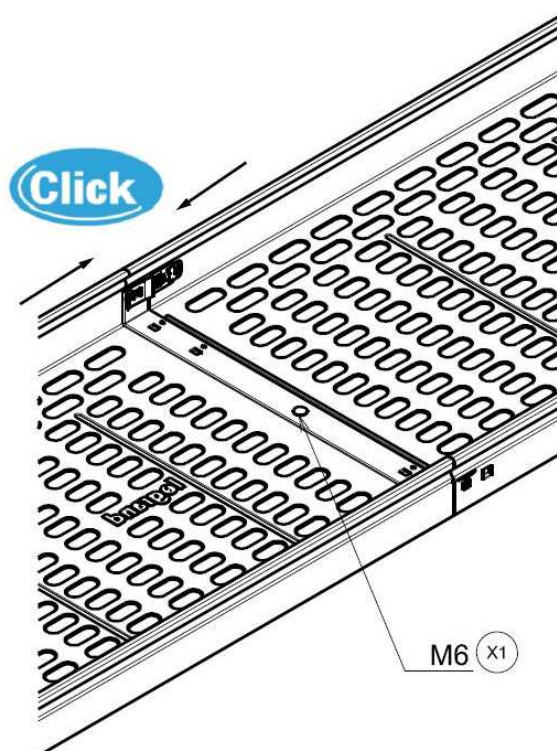
■ **11.5 Blind Male/Female Automatic**

The automatic junction system does not need any screws up to and including width 300mm (11.81"). Put an extra screw M6x12 in the middle from width 400mm (15.75") to 600mm (23.62").

- From W77mm (3,03") to W300mm (11,81")



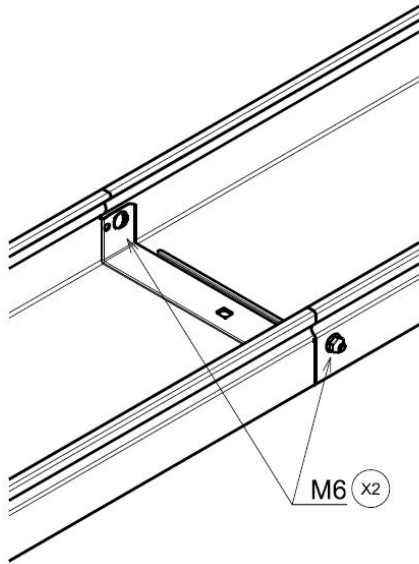
- From W400mm (15,75") to W600mm (23,32")



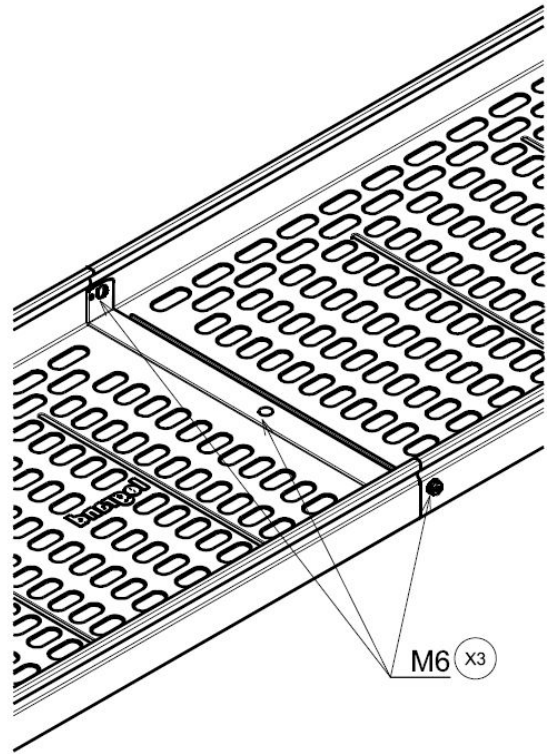
■ **11.6 Blind Male/Female**

The automatic junction system does not need any screws up to and including width 300mm (11.81"). Put an extra screw M6x12 in the middle from width 400mm (15.75") to 600mm (23.62").

- From W77mm (3,03") to W300mm (11,81")



- From W400mm (15,75") to W600mm (23,32")

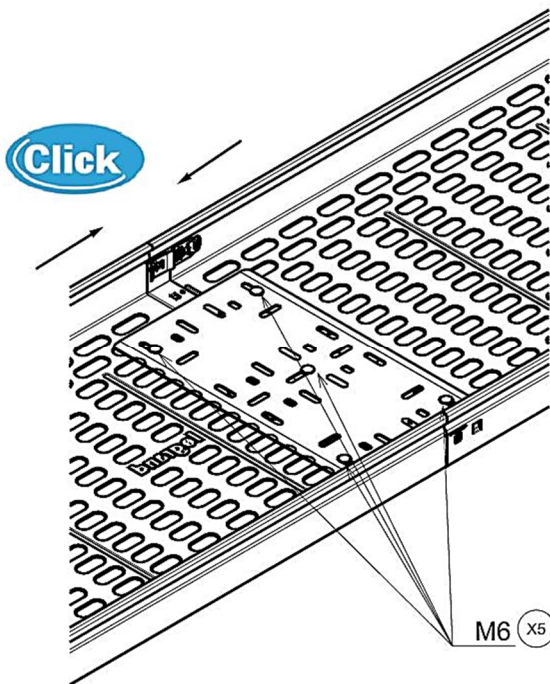


■ **11.7 Mounting bottom plate on blind cable tray**

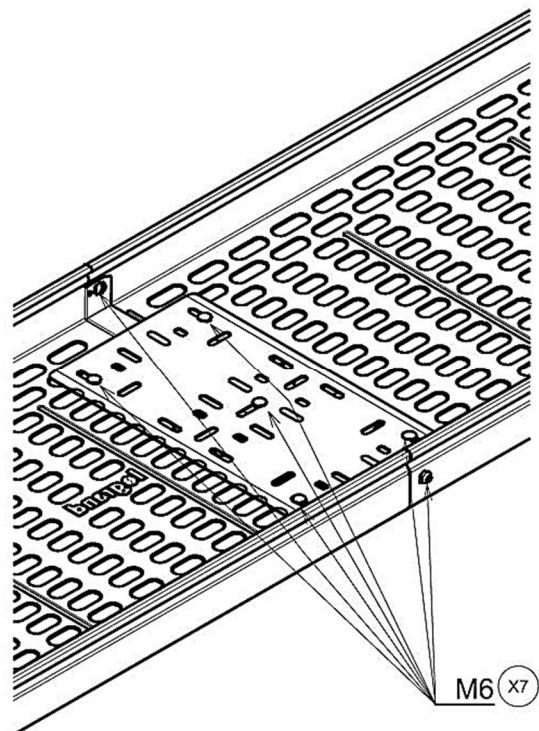
Put an extra bottom plate from width 400mm (15.75") to 600mm (23.62") using 5 additional screws M6x12 to improve the safety working load.

Drill 4 holes in the bottom to fix the bottom plate; use 7mm diameter drill bit.

- Male/Female Automatic



- Male/Female



12. TECHNICAL DATA

12.1 Climatic characteristics

Storage and operating temperature: - 20° C à + 120° C

12.2 Material characteristics

Material finish	Material	Standard	Resistance class against corrosion
PG	DX51D + Z200	EN 10346	Classe 3 - CEI 61537
BLUE	DX51D + Z200	EN 10346	Classe 3 - CEI 61537
HDG	DC 01	EN 10130	Classe 6 - CEI 61537
SS304	X5CrNi18-10	EN 10 088-2	Classe 9A - CEI 61537
SS316L	X2CrNiMo17-12-2	EN 10 088-2	Classe 9B - CEI 61537
ZNMG	DX51D + ZM310 A-C	EN 10364	Classe 8 – CEI 61537

13. CONFORMITY - CERTIFICATION

Comply with CEI 61537 Cable tray systems

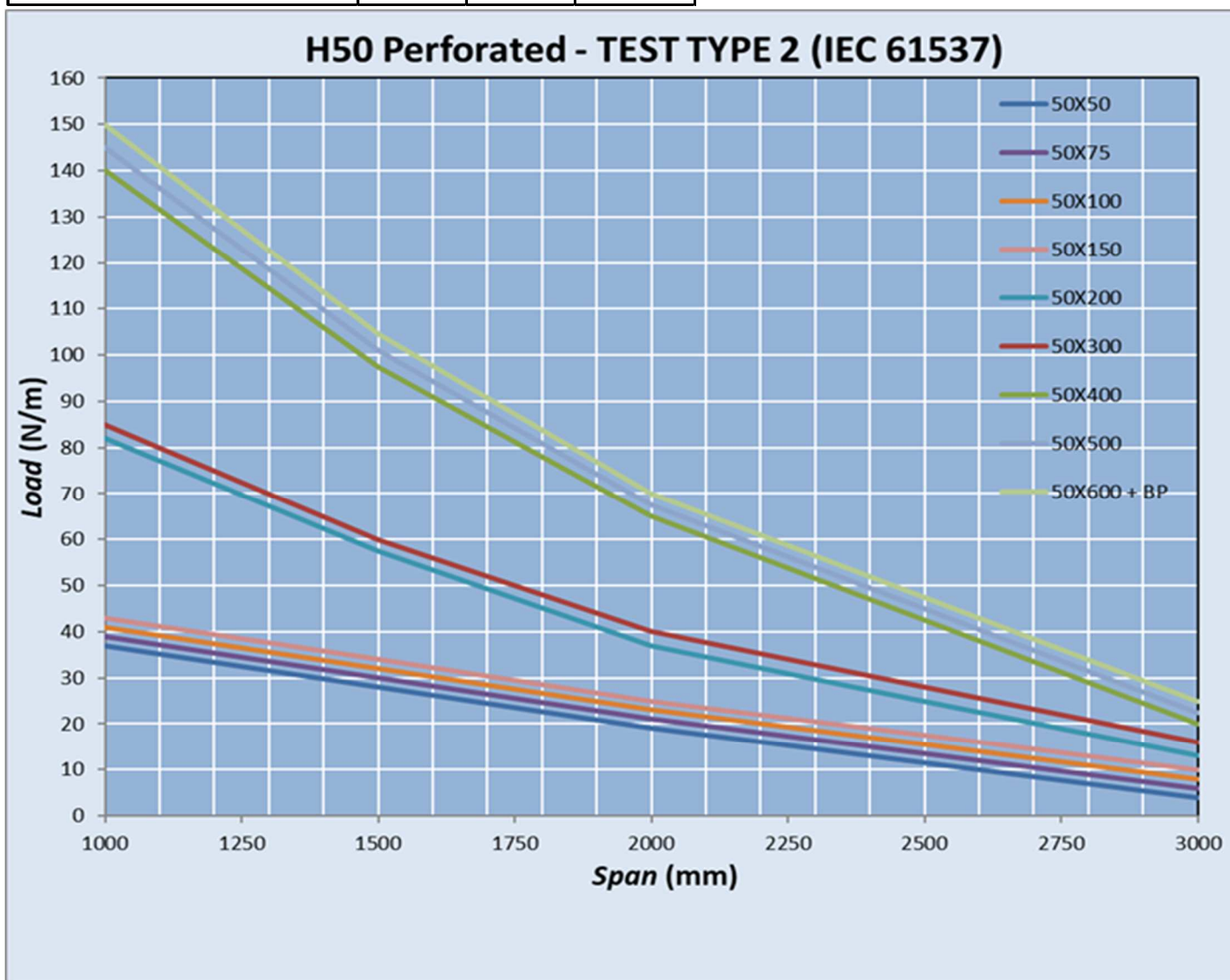
Certification: CE, IMQ

14. LOADING CURVES

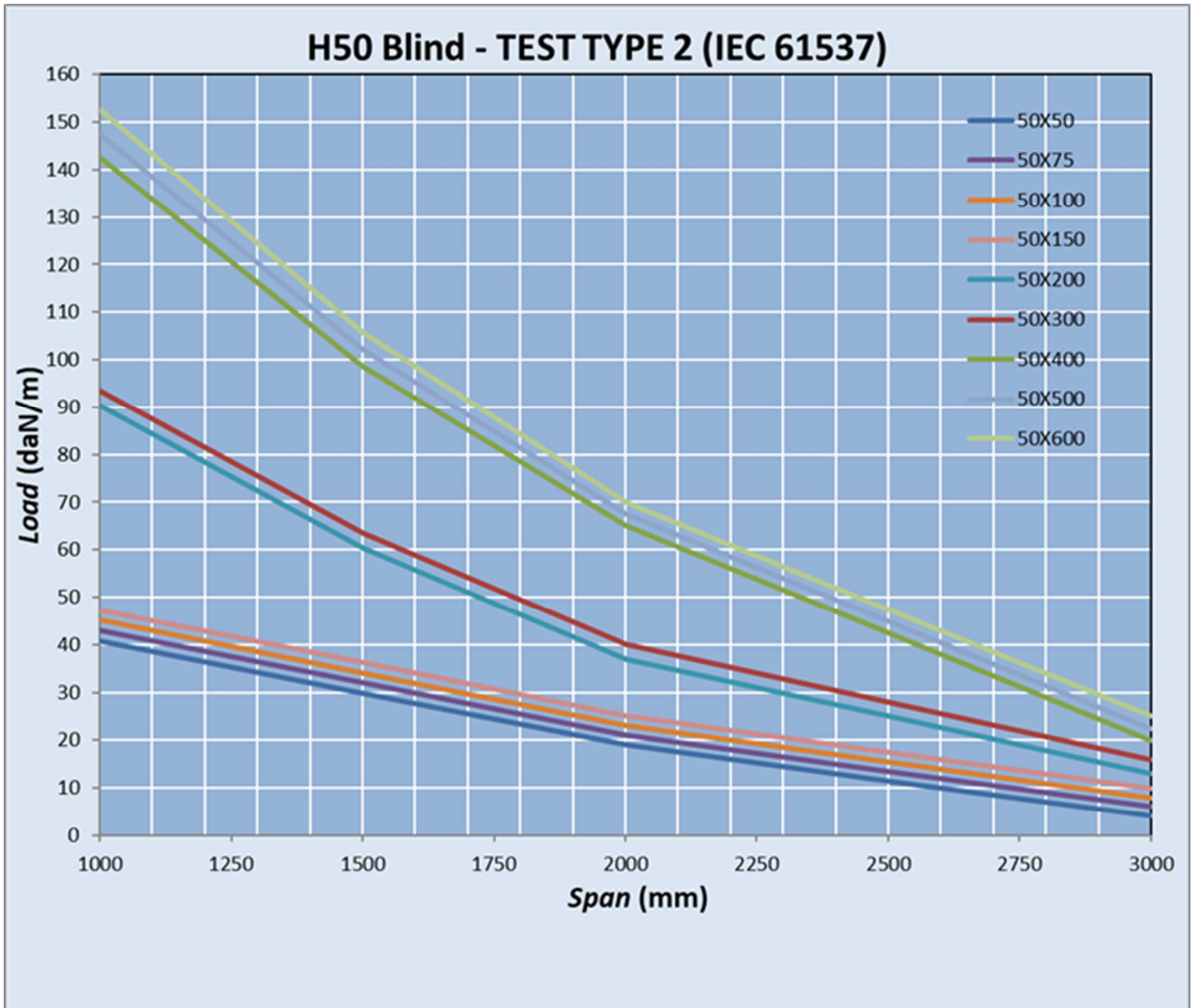
14.1 Male/Female Perforated (PG, HDG, BLUE, RAL, ZNMG)

*Bottom plate mounted on width 600.

Description	PG	HDG	SS316L
P31 - BOTTOM PLATE W600	481183	482343	486018



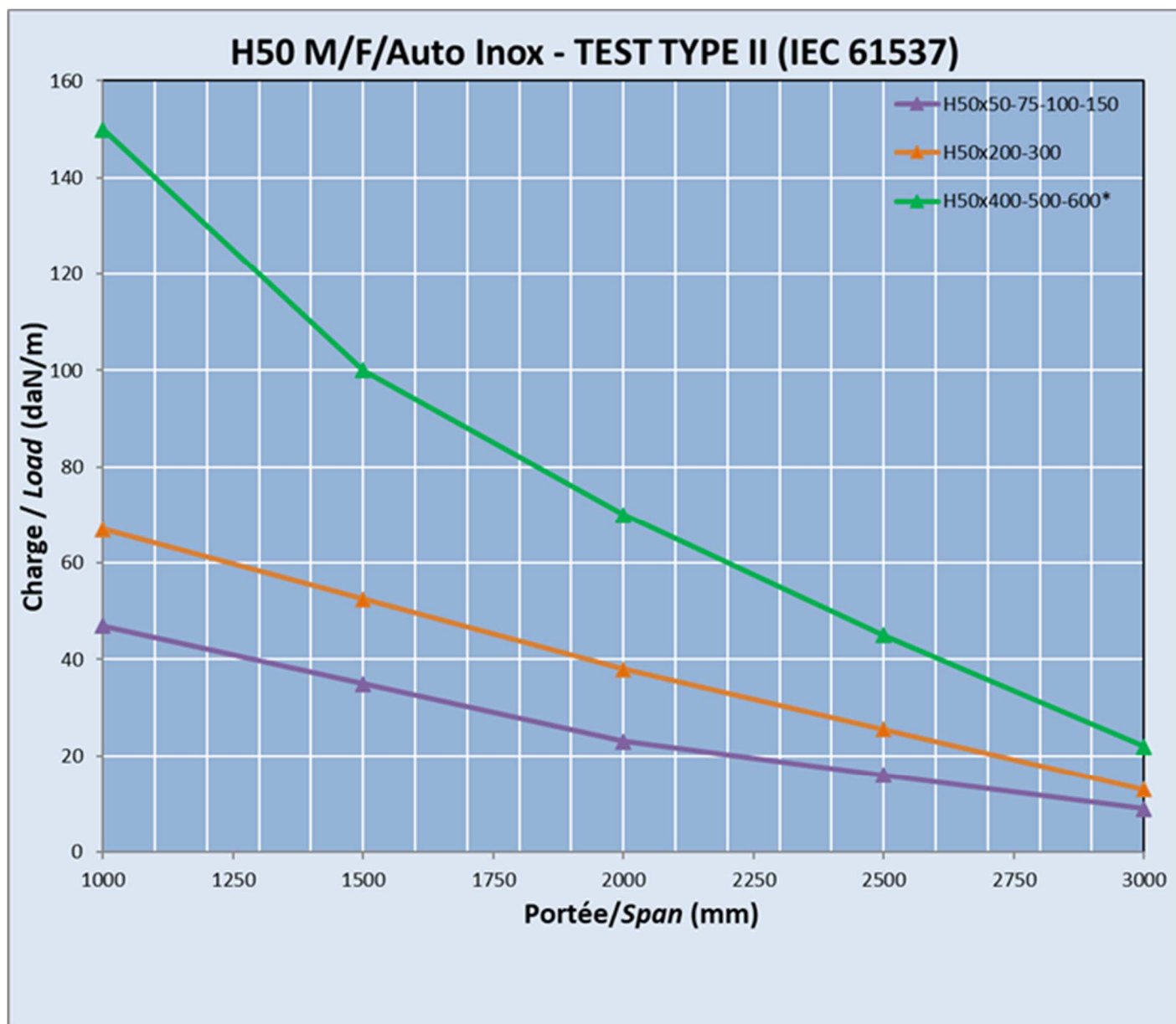
■ 14.2 Male/Female Blind (PG, HDG, BLUE, RAL, ZNMG)



■ 14.3 Male/Female Automatic Perforated and Blind (SS304, SS316L)

*Bottom plate mounted on width 600.

Description	PG	HDG	SS316L
P31 - BOTTOM PLATE W600	481183	482343	486018

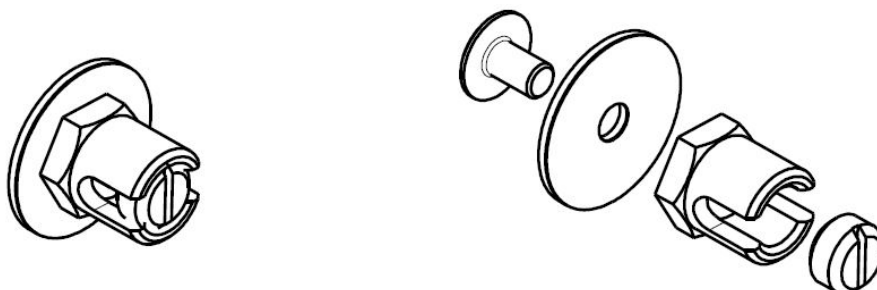


15. ADDITIONAL INFORMATION FOR UL

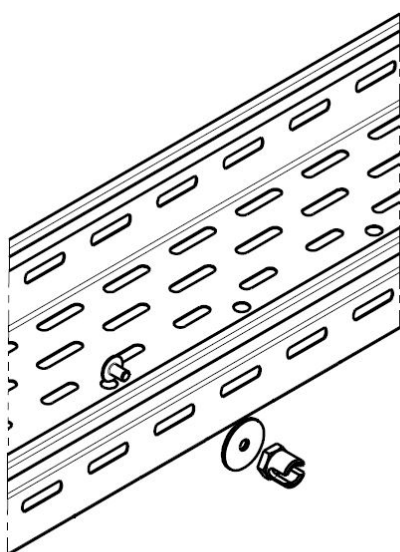
■ **15.1 Brass earth grounding connection (ECG)**

- Requires mandatory usage in USA when the system is used according to NFPA 70®

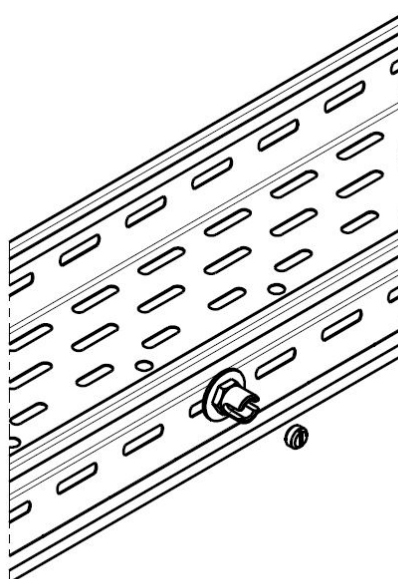
- Reference(s): 585357
585367
585377



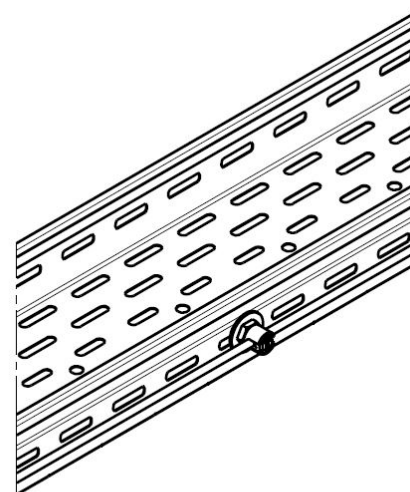
Description	Code	Material	Section	
			(mm ²)	(inch ²)
BLT6-16 CU EARTH TERMINAL	585357	BRASS	16	0,025
BLT6-35 CU EARTH TERMINAL	585367		35	0,054
BLT6-50 CU EARTH TERMINAL	585377		50	0,078



①



②



③

Refer to technical sheet FT1036 for further information.