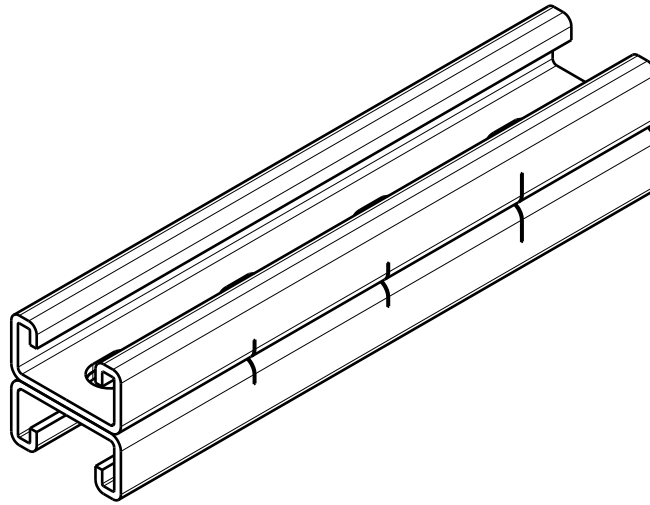


**R21D**

Reference(s) : 343780-343783-343784



**1. RANGE**

Ref	Code	Raw material Matière	Standard Normes	Coating Protection	Corrosion class Classe de corrosion	Thickness épaisseur (mm/inch)	L (mm/inch)	Weight Poids (Kg/lb)
<b>R21D 3000 E25 GS</b>	<b>343780</b>	S250GD Z275 MAC	EN 10346	GS	Class 3 according to CEI 61537	2,5 / 0,098"	3000 / 118"	10.5/ 231.5
<b>R21D 3000 E25 GC</b>	<b>343783</b>	S235 JR	EN 10025	GC	Class 6 according to CEI 61537	2,5 / 0,098"	3000 / 118"	11.2/ 246.9
<b>R21D 3000 E25 S6</b>	<b>343784</b>	X2CrNiMo 17-12-2	EN 10088-2	INOX 316L	Class 9B according to CEI 61537	2,5 / 0,098"	3000 / 118"	10.7/ 235.9

**2. DIMENSIONS (mm/inch)**

