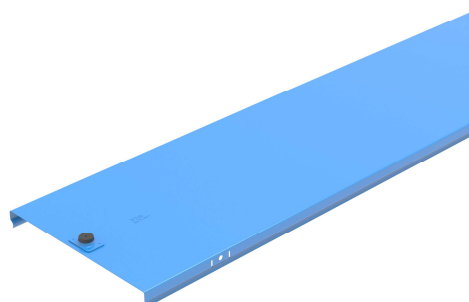


P31 – COVER LENGTH

Reference(s): 31L39050../075../100../150../200../300../400../500../600../(Z,C,G,X,L) /31L29050../75../100../150../200../300../(Z,G)
31L19050../75../100../150../200../300../(Z,G) /347853/347854/347867/347868/344191/344194/344890/344891/
344892/344893/344894/344895/344897/340189340190/340191/340192/340193/340194/340195/340196/340197/
341290/341291/341292/341293/341294/341295/341296/341297/344190/344192/344193/344195/344197/485423/
485196485197/485198/485199/485200/485201/485202/485203/343290/343291/343292/343293/343294/343295/
343296/343297/347465/347466/347467/347468/347469/347470/347471/347472/347473/344868/344806/344809/
344809/344816/344818/344819/344825/344826



1. USE

Cover length for all cable trays.

2. RANGE WITH EARTH CONNECTION

■ 2.1 Cover length with earth connector PG

| Description | Code | Code export | Width | | Length | | Weight | | Thickness | | Coating |
|-----------------------------|-----------|-------------|-------|--------|--------|--------|--------|-------|-----------|--------|---------|
| | | | (mm) | (inch) | (mm) | (inch) | (Kg) | (lb) | (mm) | (inch) | |
| P31-FLAT COVER 3M W50 PG | 31L39050Z | 340169 | 50 | 1,97 | 3000 | 118,11 | 1,06 | 2,34 | 0,5 | 0,02 | PG |
| P31-FLAT COVER 3M W75 PG | 31L39075Z | 340170 | 77 | 3,03 | 3000 | 118,11 | 1,38 | 3,04 | 0,5 | 0,02 | PG |
| P31-FLAT COVER 3M W100 PG | 31L39100Z | 340171 | 100 | 3,94 | 3000 | 118,11 | 1,65 | 3,64 | 0,5 | 0,02 | PG |
| P31-FLAT COVER 3M W150 PG | 31L39150Z | 340172 | 150 | 5,91 | 3000 | 118,11 | 2,24 | 4,94 | 0,5 | 0,02 | PG |
| P31-FLAT COVER 3M W200 PG | 31L39200Z | 340173 | 200 | 7,87 | 3000 | 118,11 | 2,83 | 6,24 | 0,5 | 0,02 | PG |
| P31-FLAT COVER 3M W300 PG | 31L39300Z | 340174 | 300 | 11,81 | 3000 | 118,11 | 4,80 | 10,58 | 0,6 | 0,02 | PG |
| P31-FLAT COVER 3M W400 PG | 31L39400Z | 340154 | 400 | 15,75 | 3000 | 118,11 | 7,77 | 17,13 | 0,75 | 0,03 | PG |
| P31-FLAT COVER 3M W500 PG | 31L39500Z | 340155 | 500 | 19,69 | 3000 | 118,11 | 9,54 | 21,03 | 0,75 | 0,03 | PG |
| P31-FLAT COVER 3M W600 PG | 31L39600Z | 340156 | 600 | 23,62 | 3000 | 118,11 | 11,32 | 24,96 | 0,75 | 0,03 | PG |
| P31-FLAT COVER 2M W75 PG | 31L29075Z | 340164 | 77 | 3,03 | 2000 | 78,74 | 0,92 | 2,03 | 0,5 | 0,02 | PG |
| P31-FLAT COVER 2M W100 PG | 31L29100Z | 340165 | 100 | 3,94 | 2000 | 78,74 | 1,10 | 2,43 | 0,5 | 0,02 | PG |
| P31-FLAT COVER 2M W150 PG | 31L29150Z | 340166 | 150 | 5,91 | 2000 | 78,74 | 1,49 | 3,28 | 0,5 | 0,02 | PG |
| P31-FLAT COVER 2M W200 PG | 31L29200Z | 340167 | 200 | 7,87 | 2000 | 78,74 | 1,88 | 4,14 | 0,5 | 0,02 | PG |
| P31-FLAT COVER 2M W300 PG | 31L29300Z | 340168 | 300 | 11,81 | 2000 | 78,74 | 3,20 | 7,05 | 0,6 | 0,02 | PG |
| P31-FLAT COVER 2M W50 PG | 31L29050Z | 340163 | 50 | 1,97 | 2000 | 78,74 | 0,71 | 1,57 | 0,5 | 0,02 | PG |
| P31-FLAT COVER 1M W50 PG | 31L19050Z | 340157 | 50 | 1,97 | 1000 | 39,37 | 0,35 | 0,78 | 0,5 | 0,02 | PG |
| P31-FLAT COVER 1M W75 PG | 31L19075Z | 340158 | 77 | 3,03 | 1000 | 39,37 | 0,46 | 1,01 | 0,5 | 0,02 | PG |
| P31-FLAT COVER 1M W100 PG | 31L19100Z | 340159 | 100 | 3,94 | 1000 | 39,37 | 0,55 | 1,21 | 0,5 | 0,02 | PG |
| P31-FLAT COVER 1M W150 PG | 31L19150Z | 340160 | 150 | 5,91 | 1000 | 39,37 | 0,75 | 1,64 | 0,5 | 0,02 | PG |
| P31-FLAT COVER 1M W200 PG | 31L19200Z | 340161 | 200 | 7,87 | 1000 | 39,37 | 0,94 | 2,08 | 0,5 | 0,02 | PG |
| P31-FLAT COVER 1M W300 PG | 31L19300Z | 340162 | 300 | 11,81 | 1000 | 39,37 | 1,60 | 3,53 | 0,6 | 0,02 | PG |
| P31-FLAT COVER 0,5M W50 PG | 31L89050Z | 340175 | 50 | 1,97 | 500 | 19,69 | 0,18 | 0,39 | 0,5 | 0,02 | PG |
| P31-FLAT COVER 0,5M W75 PG | 31L89075Z | 340176 | 77 | 3,03 | 500 | 19,69 | 0,23 | 0,51 | 0,5 | 0,02 | PG |
| P31-FLAT COVER 0,5M W100 PG | 31L89100Z | 340177 | 100 | 3,94 | 500 | 19,69 | 0,27 | 0,60 | 0,5 | 0,02 | PG |
| P31-FLAT COVER 0,5M W150 PG | 31L89150Z | 340178 | 150 | 5,91 | 500 | 19,69 | 0,37 | 0,82 | 0,5 | 0,02 | PG |
| P31-FLAT COVER 0,5M W200 PG | 31L89200Z | 340179 | 200 | 7,87 | 500 | 19,69 | 0,47 | 1,04 | 0,5 | 0,02 | PG |
| P31-FLAT COVER 0,5M W300 PG | 31L89300Z | 340180 | 300 | 11,81 | 500 | 19,69 | 0,80 | 1,76 | 0,6 | 0,02 | PG |

■ 2.2 Cover length with earth connector BLUE

| Description | Code | Code export | Width | | Length | | Weight | | Thickness | | Coating |
|-------------------------------|-----------|-------------|-------|--------|--------|--------|--------|-------|-----------|--------|---------|
| | | | (mm) | (inch) | (mm) | (inch) | (Kg) | (lb) | (mm) | (inch) | |
| P31-FLAT COVER 3M W50 BLUE | 31L39050G | 344169 | 50 | 1,97 | 3000 | 118,11 | 1,06 | 2,34 | 0,5 | 0,02 | BLUE |
| P31-FLAT COVER 3M W75 BLUE | 31L39075G | 344170 | 77 | 3,03 | 3000 | 118,11 | 1,38 | 3,04 | 0,5 | 0,02 | BLUE |
| P31-FLAT COVER 3M W100 BLUE | 31L39100G | 344171 | 100 | 3,94 | 3000 | 118,11 | 1,65 | 3,64 | 0,5 | 0,02 | BLUE |
| P31-FLAT COVER 3M W150 BLUE | 31L39150G | 344172 | 150 | 5,91 | 3000 | 118,11 | 2,24 | 4,94 | 0,5 | 0,02 | BLUE |
| P31-FLAT COVER 3M W200 BLUE | 31L39200G | 344173 | 200 | 7,87 | 3000 | 118,11 | 2,83 | 6,24 | 0,5 | 0,02 | BLUE |
| P31-FLAT COVER 3M W300 BLUE | 31L39300G | 344174 | 300 | 11,81 | 3000 | 118,11 | 4,80 | 10,58 | 0,6 | 0,02 | BLUE |
| P31-FLAT COVER 3M W400 BLUE | 31L39400G | 344154 | 400 | 15,75 | 3000 | 118,11 | 7,77 | 17,13 | 0,75 | 0,03 | BLUE |
| P31-FLAT COVER 3M W500 BLUE | 31L39500G | 344155 | 500 | 19,69 | 3000 | 118,11 | 9,54 | 21,03 | 0,75 | 0,03 | BLUE |
| P31-FLAT COVER 3M W600 BLUE | 31L39600G | 344156 | 600 | 23,62 | 3000 | 118,11 | 11,32 | 24,96 | 0,75 | 0,03 | BLUE |
| P31-FLAT COVER 2M W50 BLUE | 31L29050G | 344163 | 50 | 1,97 | 2000 | 78,74 | 0,71 | 1,57 | 0,5 | 0,02 | BLUE |
| P31-FLAT COVER 2M W75 BLUE | 31L29075G | 344164 | 77 | 3,03 | 2000 | 78,74 | 0,92 | 2,03 | 0,5 | 0,02 | BLUE |
| P31-FLAT COVER 2M W100 BLUE | 31L29100G | 344165 | 100 | 3,94 | 2000 | 78,74 | 1,10 | 2,43 | 0,5 | 0,02 | BLUE |
| P31-FLAT COVER 2M W150 BLUE | 31L29150G | 344166 | 150 | 5,91 | 2000 | 78,74 | 1,49 | 3,28 | 0,5 | 0,02 | BLUE |
| P31-FLAT COVER 2M W200 BLUE | 31L29200G | 344167 | 200 | 7,87 | 2000 | 78,74 | 1,88 | 4,14 | 0,5 | 0,02 | BLUE |
| P31-FLAT COVER 2M W300 BLUE | 31L29300G | 344168 | 300 | 11,81 | 2000 | 78,74 | 3,20 | 7,05 | 0,6 | 0,02 | BLUE |
| P31-FLAT COVER 1M W50 BLUE | 31L19050G | 344157 | 50 | 1,97 | 1000 | 39,37 | 0,35 | 0,78 | 0,5 | 0,02 | BLUE |
| P31-FLAT COVER 1M W75 BLUE | 31L19075G | 344158 | 77 | 3,03 | 1000 | 39,37 | 0,46 | 1,01 | 0,5 | 0,02 | BLUE |
| P31-FLAT COVER 1M W100 BLUE | 31L19100G | 344159 | 100 | 3,94 | 1000 | 39,37 | 0,55 | 1,21 | 0,5 | 0,02 | BLUE |
| P31-FLAT COVER 1M W150 BLUE | 31L19150G | 344160 | 150 | 5,91 | 1000 | 39,37 | 0,75 | 1,64 | 0,5 | 0,02 | BLUE |
| P31-FLAT COVER 1M W200 BLUE | 31L19200G | 344161 | 200 | 7,87 | 1000 | 39,37 | 0,94 | 2,08 | 0,5 | 0,02 | BLUE |
| P31-FLAT COVER 1M W300 BLUE | 31L19300G | 344162 | 300 | 11,81 | 1000 | 39,37 | 1,60 | 3,53 | 0,6 | 0,02 | BLUE |
| P31-FLAT COVER 0,5M W50 BLUE | 31L89050G | 344175 | 50 | 1,97 | 500 | 19,69 | 0,18 | 0,40 | 0,5 | 0,02 | BLUE |
| P31-FLAT COVER 0,5M W75 BLUE | 31L89075G | 344176 | 77 | 3,03 | 500 | 19,69 | 0,23 | 0,51 | 0,5 | 0,02 | BLUE |
| P31-FLAT COVER 0,5M W100 BLUE | 31L89100G | 344177 | 100 | 3,94 | 500 | 19,69 | 0,27 | 0,60 | 0,5 | 0,02 | BLUE |
| P31-FLAT COVER 0,5M W150 BLUE | 31L89150G | 344178 | 150 | 5,91 | 500 | 19,69 | 0,37 | 0,82 | 0,5 | 0,02 | BLUE |
| P31-FLAT COVER 0,5M W200 BLUE | 31L89200G | 344179 | 200 | 7,87 | 500 | 19,69 | 0,47 | 1,04 | 0,5 | 0,02 | BLUE |
| P31-FLAT COVER 0,5M W300 BLUE | 31L89300G | 344180 | 300 | 11,81 | 500 | 19,69 | 0,80 | 1,76 | 0,6 | 0,02 | BLUE |

■ 2.3 Cover length with earth connector RAL

| Description | Code | Code export | Width | | Length | | Weight | | Thickness | | Coating |
|--------------------------------|------|-------------|-------|--------|--------|--------|--------|-------|-----------|--------|---------|
| | | | (mm) | (inch) | (mm) | (inch) | (Kg) | (lb) | (mm) | (inch) | |
| P31-FLAT COVER 3M W100 RAL9005 | - | 347853 | 100 | 3,94 | 3000 | 118,11 | 1,65 | 3,64 | 0,5 | 0,02 | RAL9005 |
| P31-FLAT COVER 3M W300 RAL9005 | - | 347854 | 300 | 11,81 | 3000 | 118,11 | 4,8 | 10,58 | 0,6 | 0,02 | RAL9005 |
| P31-FLAT COVER 3M W100 RAL9016 | - | 347867 | 100 | 3,94 | 3000 | 118,11 | 1,65 | 3,64 | 0,5 | 0,02 | RAL9016 |
| P31-FLAT COVER 3M W300 RAL9016 | - | 347868 | 300 | 11,81 | 3000 | 118,11 | 4,8 | 10,58 | 0,6 | 0,02 | RAL9016 |
| P31-FLAT COVER 3M W100 RAL9010 | - | 344191 | 100 | 3,94 | 3000 | 118,11 | 1,65 | 3,64 | 0,5 | 0,02 | RAL9010 |
| P31-FLAT COVER 3M W300 RAL9010 | - | 344194 | 300 | 11,81 | 3000 | 118,11 | 4,8 | 10,58 | 0,6 | 0,02 | RAL9010 |
| P31-FLAT COVER 2M W75 RAL9010 | - | 344890 | 77 | 3,03 | 2000 | 78,74 | 0,92 | 2,03 | 0,5 | 0,02 | RAL9010 |
| P31-FLAT COVER 2M W100 RAL9010 | - | 344891 | 100 | 3,94 | 2000 | 78,74 | 1,1 | 2,43 | 0,5 | 0,02 | RAL9010 |
| P31-FLAT COVER 2M W150 RAL9010 | - | 344892 | 150 | 5,91 | 2000 | 78,74 | 1,49 | 3,28 | 0,5 | 0,02 | RAL9010 |
| P31-FLAT COVER 2M W200 RAL9010 | - | 344893 | 200 | 7,87 | 2000 | 78,74 | 1,88 | 4,14 | 0,5 | 0,02 | RAL9010 |
| P31-FLAT COVER 2M W300 RAL9010 | - | 344894 | 300 | 11,81 | 2000 | 78,74 | 3,2 | 7,05 | 0,6 | 0,02 | RAL9010 |
| P31-FLAT COVER 2M W400 RAL9010 | - | 344895 | 400 | 15,75 | 2000 | 78,74 | 5,18 | 11,42 | 0,75 | 0,03 | RAL9010 |
| P31-FLAT COVER 2M W600 RAL9010 | - | 344897 | 600 | 23,62 | 2000 | 78,74 | 7,536 | 16,61 | 0,75 | 0,03 | RAL9010 |

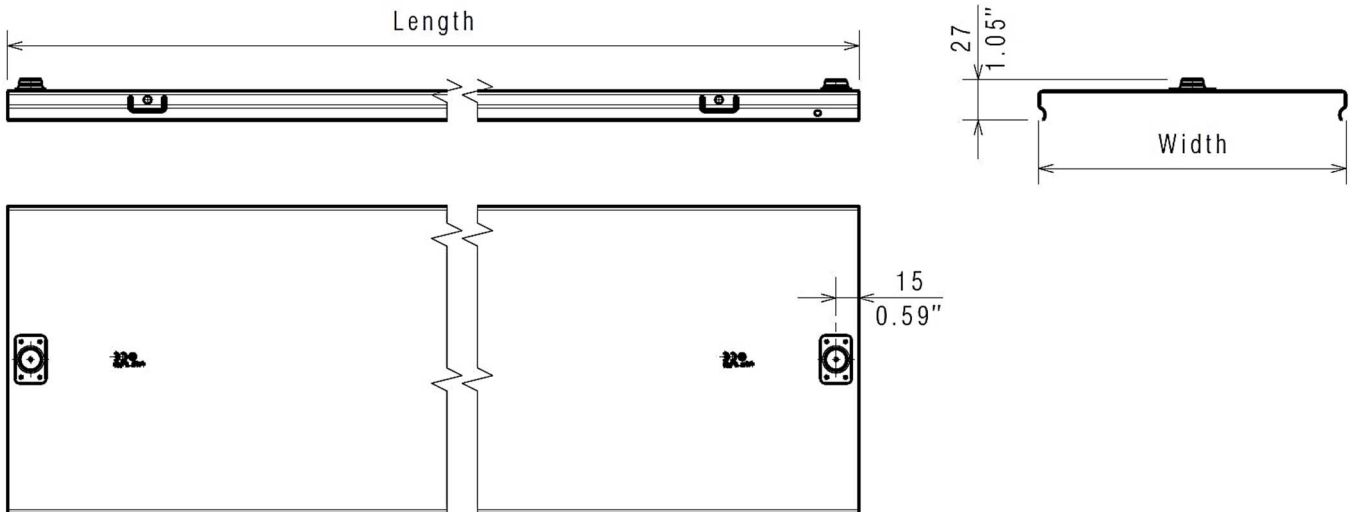
■ 2.4 Cover length with earth connector SS304

| Description | Code | Code export | Width | | Length | | Weight | | Thickness | | Coating |
|------------------------------|-----------|-------------|-------|--------|--------|--------|--------|-------|-----------|--------|---------|
| | | | (mm) | (inch) | (mm) | (inch) | (Kg) | (lb) | (mm) | (inch) | |
| P31-FLAT COVER 3M W75 SS304 | 31L39075X | 346313 | 77 | 3,03 | 3000 | 118,11 | 1,38 | 3,04 | 0,5 | 0,02 | SS304 |
| P31-FLAT COVER 3M W100 SS304 | 31L39100X | 346314 | 100 | 3,94 | 3000 | 118,11 | 1,65 | 3,64 | 0,5 | 0,02 | SS304 |
| P31-FLAT COVER 3M W150 SS304 | 31L39150X | 346315 | 150 | 5,91 | 3000 | 118,11 | 2,24 | 4,94 | 0,5 | 0,02 | SS304 |
| P31-FLAT COVER 3M W200 SS304 | 31L39200X | 346316 | 200 | 7,87 | 3000 | 118,11 | 2,83 | 6,24 | 0,5 | 0,02 | SS304 |
| P31-FLAT COVER 3M W300 SS304 | 31L39300X | 346317 | 300 | 11,81 | 3000 | 118,11 | 4,80 | 10,58 | 0,6 | 0,02 | SS304 |
| P31-FLAT COVER 3M W400 SS304 | 31L39400X | 346312 | 400 | 15,75 | 3000 | 118,11 | 7,77 | 17,13 | 0,75 | 0,03 | SS304 |
| P31-FLAT COVER 3M W500 SS304 | 31L39500X | 346477 | 500 | 19,69 | 3000 | 118,11 | 9,54 | 21,03 | 0,75 | 0,03 | SS304 |
| P31-FLAT COVER 3M W600 SS304 | 31L39600X | 346478 | 600 | 23,62 | 3000 | 118,11 | 11,30 | 24,91 | 0,75 | 0,03 | SS304 |

■ 2.5 Cover length with earth connector SS316L

| Description | Code | Code export | Width | | Length | | Weight | | Thickness | | Coating |
|-------------------------------|-----------|-------------|-------|--------|--------|--------|--------|-------|-----------|--------|---------|
| | | | (mm) | (inch) | (mm) | (inch) | (Kg) | (lb) | (mm) | (inch) | |
| P31-FLAT COVER 3M W75 SS316L | 31L39075L | 346613 | 77 | 3,03 | 3000 | 118,11 | 1,38 | 3,04 | 0,5 | 0,02 | SS316L |
| P31-FLAT COVER 3M W100 SS316L | 31L39100L | 346614 | 100 | 3,94 | 3000 | 118,11 | 1,65 | 3,64 | 0,5 | 0,02 | SS316L |
| P31-FLAT COVER 3M W150 SS316L | 31L39150L | 346615 | 150 | 5,91 | 3000 | 118,11 | 2,24 | 4,94 | 0,5 | 0,02 | SS316L |
| P31-FLAT COVER 3M W200 SS316L | 31L39200L | 346616 | 200 | 7,87 | 3000 | 118,11 | 2,83 | 6,24 | 0,5 | 0,02 | SS316L |
| P31-FLAT COVER 3M W300 SS316L | 31L39300L | 346617 | 300 | 11,81 | 3000 | 118,11 | 4,80 | 10,58 | 0,6 | 0,02 | SS316L |
| P31-FLAT COVER 3M W400 SS316L | 31L39400L | 346612 | 400 | 15,75 | 3000 | 118,11 | 7,77 | 17,13 | 0,75 | 0,03 | SS316L |
| P31-FLAT COVER 3M W500 SS316L | 31L39500L | 486477 | 500 | 19,69 | 3000 | 118,11 | 9,54 | 21,03 | 0,75 | 0,03 | SS316L |
| P31-FLAT COVER 3M W600 SS316L | 31L39600L | 486478 | 600 | 23,62 | 3000 | 118,11 | 11,30 | 24,91 | 0,75 | 0,03 | SS316L |

3. DIMENSIONS (mm/inch)



4. RANGE WITHOUT EARTH CONNECTOR

4.1 Cover length without earth connector PG

| Description | Code | Code export | Width | | Length | | Weight | | Thickness | | Coating |
|---------------------------|------|-------------|-------|--------|--------|--------|--------|-------|-----------|--------|---------|
| | | | (mm) | (inch) | (mm) | (inch) | (Kg) | (lb) | (mm) | (inch) | |
| P31-FLAT COVER 3M W50 PG | - | 340189 | 50 | 1,97 | 3000 | 118,11 | 1,06 | 2,34 | 0,5 | 0,02 | PG |
| P31-FLAT COVER 3M W75 PG | - | 340190 | 77 | 3,03 | 3000 | 118,11 | 1,38 | 3,04 | 0,5 | 0,02 | PG |
| P31-FLAT COVER 3M W100 PG | - | 340191 | 100 | 3,94 | 3000 | 118,11 | 1,65 | 3,64 | 0,5 | 0,02 | PG |
| P31-FLAT COVER 3M W150 PG | - | 340192 | 150 | 5,91 | 3000 | 118,11 | 2,24 | 4,94 | 0,5 | 0,02 | PG |
| P31-FLAT COVER 3M W200 PG | - | 340193 | 200 | 7,87 | 3000 | 118,11 | 2,83 | 6,23 | 0,5 | 0,02 | PG |
| P31-FLAT COVER 3M W300 PG | - | 340194 | 300 | 11,81 | 3000 | 118,11 | 4,80 | 10,58 | 0,6 | 0,02 | PG |
| P31-FLAT COVER 3M W400 PG | - | 340195 | 400 | 15,75 | 3000 | 118,11 | 7,77 | 17,13 | 0,75 | 0,03 | PG |
| P31-FLAT COVER 3M W500 PG | - | 340196 | 500 | 19,69 | 3000 | 118,11 | 9,54 | 21,03 | 0,75 | 0,03 | PG |
| P31-FLAT COVER 3M W600 PG | - | 340197 | 600 | 23,62 | 3000 | 118,11 | 11,32 | 24,96 | 0,75 | 0,03 | PG |
| P31-FLAT COVER 2M W75 PG | - | 341290 | 77 | 3,03 | 2000 | 78,74 | 0,92 | 2,03 | 0,5 | 0,02 | PG |
| P31-FLAT COVER 2M W100 PG | - | 341291 | 100 | 3,94 | 2000 | 78,74 | 1,10 | 2,43 | 0,5 | 0,02 | PG |
| P31-FLAT COVER 2M W150 PG | - | 341292 | 150 | 5,91 | 2000 | 78,74 | 1,49 | 3,28 | 0,5 | 0,02 | PG |
| P31-FLAT COVER 2M W200 PG | - | 341293 | 200 | 7,87 | 2000 | 78,74 | 2,26 | 4,98 | 0,6 | 0,02 | PG |
| P31-FLAT COVER 2M W300 PG | - | 341294 | 300 | 11,81 | 2000 | 78,74 | 3,20 | 7,05 | 0,6 | 0,02 | PG |
| P31-FLAT COVER 2M W400 PG | - | 341295 | 400 | 15,75 | 2000 | 78,74 | 5,18 | 11,42 | 0,75 | 0,03 | PG |
| P31-FLAT COVER 2M W500 PG | - | 341296 | 500 | 19,69 | 2000 | 78,74 | 6,36 | 14,02 | 0,75 | 0,03 | PG |
| P31-FLAT COVER 2M W600 PG | - | 341297 | 600 | 23,62 | 2000 | 78,74 | 7,54 | 16,61 | 0,75 | 0,03 | PG |

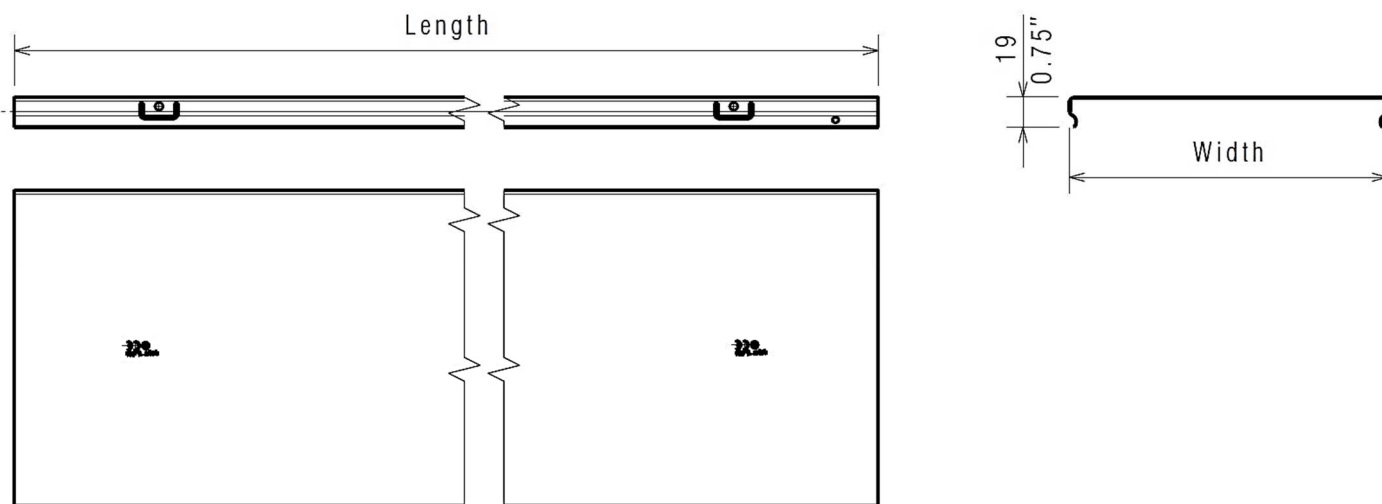
4.2 Cover length without earth connector RAL

| Description | Code | Code export | Width | | Length | | Weight | | Thickness | | Coating |
|--------------------------------|------|-------------|-------|--------|--------|--------|--------|-------|-----------|--------|---------|
| | | | (mm) | (inch) | (mm) | (inch) | (Kg) | (lb) | (mm) | (inch) | |
| P31-FLAT COVER 3M W75 RAL9010 | - | 344190 | 77 | 3,03 | 3000 | 118,11 | 1,38 | 3,04 | 0,5 | 0,02 | RAL9010 |
| P31-FLAT COVER 3M W150 RAL9010 | - | 344192 | 150 | 5,91 | 3000 | 118,11 | 2,24 | 4,94 | 0,5 | 0,02 | RAL9010 |
| P31-FLAT COVER 3M W200 RAL9010 | - | 344193 | 200 | 7,87 | 3000 | 118,11 | 2,83 | 6,24 | 0,5 | 0,02 | RAL9010 |
| P31-FLAT COVER 3M W400 RAL9010 | - | 344195 | 400 | 15,75 | 3000 | 118,11 | 7,77 | 17,13 | 0,75 | 0,03 | RAL9010 |
| P31-FLAT COVER 3M W600 RAL9010 | - | 344197 | 600 | 23,62 | 3000 | 118,11 | 11,32 | 24,96 | 0,75 | 0,03 | RAL9010 |

4.3 Cover length without earth connector ZNMG

| Description | Code | Code export | Width | | Length | | Weight | | Thickness | | Coating |
|---------------------------|------|-------------|-------|--------|--------|--------|--------|-------|-----------|--------|---------|
| | | | (mm) | (inch) | (mm) | (inch) | (Kg) | (lb) | (mm) | (inch) | |
| P31-FLAT COVER 3M W50 ZM | - | 485423 | 50 | 1,97 | 3000 | 118,11 | 1,7 | 3,75 | 0,6 | 0,02 | ZNMG |
| P31-FLAT COVER 3M W75 ZM | - | 485196 | 77 | 3,03 | 3000 | 118,11 | 1,38 | 3,04 | 0,6 | 0,02 | ZNMG |
| P31-FLAT COVER 3M W100 ZM | - | 485197 | 100 | 3,94 | 3000 | 118,11 | 1,65 | 3,64 | 0,6 | 0,02 | ZNMG |
| P31-FLAT COVER 3M W150 ZM | - | 485198 | 150 | 5,91 | 3000 | 118,11 | 2,24 | 4,94 | 0,6 | 0,02 | ZNMG |
| P31-FLAT COVER 3M W200 ZM | - | 485199 | 200 | 7,87 | 3000 | 118,11 | 2,83 | 6,24 | 0,6 | 0,02 | ZNMG |
| P31-FLAT COVER 3M W300 ZM | - | 485200 | 300 | 11,81 | 3000 | 118,11 | 4,8 | 10,58 | 0,8 | 0,03 | ZNMG |
| P31-FLAT COVER 3M W400 ZM | - | 485201 | 400 | 15,75 | 3000 | 118,11 | 7,77 | 17,13 | 0,8 | 0,03 | ZNMG |
| P31-FLAT COVER 3M W500 ZM | - | 485202 | 500 | 19,69 | 3000 | 118,11 | 9,54 | 21,03 | 0,8 | 0,03 | ZNMG |
| P31-FLAT COVER 3M W600 ZM | - | 485203 | 600 | 23,62 | 3000 | 118,11 | 11,3 | 24,91 | 0,8 | 0,03 | ZNMG |

5. DIMENSIONS (mm/inch)

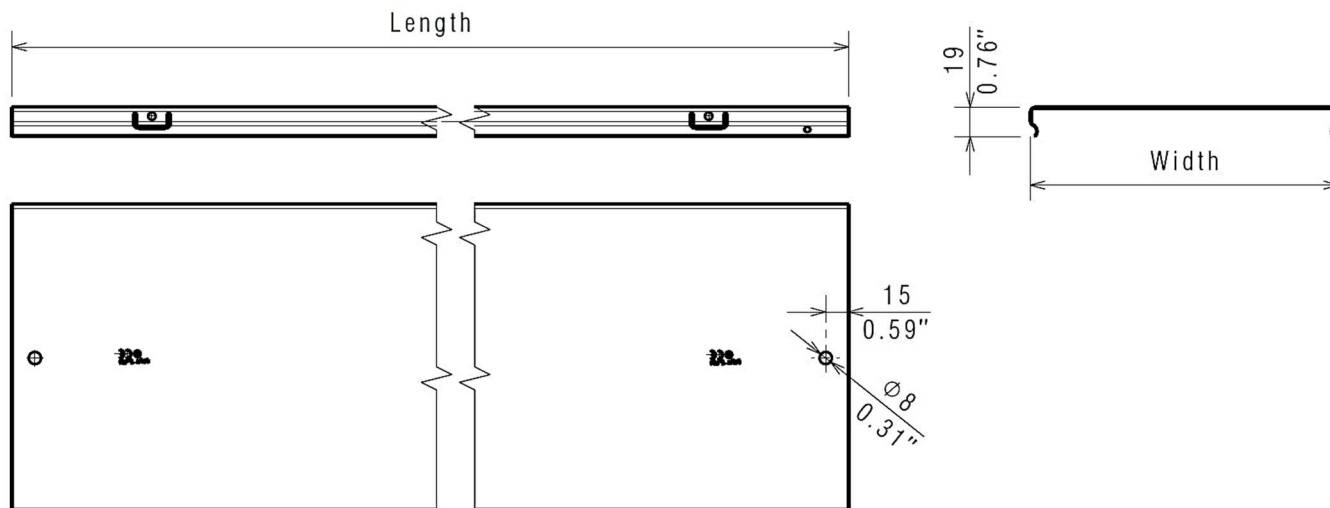


6. RANGE WITH HOLE

■ 6.1 Cover length with hole HDG

| Description | Code | Code export | Width | | Length | | Weight | | Thickness | | Coating |
|----------------------------|-----------|-------------|-------|--------|--------|--------|--------|-------|-----------|--------|---------|
| | | | (mm) | (inch) | (mm) | (inch) | (Kg) | (lb) | (mm) | (inch) | |
| P31-FLAT COVER 3M W50 HDG | 31L39050C | 342169 | 50 | 1,97 | 3000 | 118,11 | 1,87 | 4,12 | 0,8 | 0,03 | HDG |
| P31-FLAT COVER 3M W75 HDG | 31L39075C | 342170 | 77 | 3,03 | 3000 | 118,11 | 2,42 | 5,34 | 0,8 | 0,03 | HDG |
| P31-FLAT COVER 3M W100 HDG | 31L39100C | 342171 | 100 | 3,94 | 3000 | 118,11 | 2,90 | 6,39 | 0,8 | 0,03 | HDG |
| P31-FLAT COVER 3M W150 HDG | 31L39150C | 342172 | 150 | 5,91 | 3000 | 118,11 | 3,94 | 8,69 | 0,8 | 0,03 | HDG |
| P31-FLAT COVER 3M W200 HDG | 31L39200C | 342152 | 200 | 7,87 | 3000 | 118,11 | 4,97 | 10,96 | 0,8 | 0,03 | HDG |
| P31-FLAT COVER 3M W300 HDG | 31L39300C | 342153 | 300 | 11,81 | 3000 | 118,11 | 7,05 | 15,54 | 0,8 | 0,03 | HDG |
| P31-FLAT COVER 3M W400 HDG | 31L39400C | 342154 | 400 | 15,75 | 3000 | 118,11 | 9,12 | 20,11 | 0,8 | 0,03 | HDG |
| P31-FLAT COVER 3M W500 HDG | 31L39500C | 342155 | 500 | 19,69 | 3000 | 118,11 | 11,21 | 24,71 | 0,8 | 0,03 | HDG |
| P31-FLAT COVER 3M W600 HDG | 31L39600C | 342156 | 600 | 23,62 | 3000 | 118,11 | 19,92 | 43,92 | 0,9 | 0,04 | HDG |
| P31-FLAT COVER 2M W75 HDG | - | 343290 | 77 | 3,03 | 2000 | 78,74 | 1,62 | 3,57 | 0,8 | 0,03 | HDG |
| P31-FLAT COVER 2M W100 HDG | - | 343291 | 100 | 3,94 | 2000 | 78,74 | 1,93 | 4,25 | 0,8 | 0,03 | HDG |
| P31-FLAT COVER 2M W150 HDG | - | 343292 | 150 | 5,91 | 2000 | 78,74 | 2,63 | 5,80 | 0,8 | 0,03 | HDG |
| P31-FLAT COVER 2M W200 HDG | - | 343293 | 200 | 7,87 | 2000 | 78,74 | 3,32 | 7,32 | 0,8 | 0,03 | HDG |
| P31-FLAT COVER 2M W300 HDG | - | 343294 | 300 | 11,81 | 2000 | 78,74 | 4,70 | 10,36 | 0,8 | 0,03 | HDG |
| P31-FLAT COVER 2M W400 HDG | - | 343295 | 400 | 15,75 | 2000 | 78,74 | 6,08 | 13,40 | 0,8 | 0,03 | HDG |
| P31-FLAT COVER 2M W500 HDG | - | 343296 | 500 | 19,69 | 2000 | 78,74 | 7,46 | 16,45 | 0,8 | 0,03 | HDG |
| P31-FLAT COVER 2M W600 HDG | - | 343297 | 600 | 23,62 | 2000 | 78,74 | 13,28 | 29,28 | 0,9 | 0,04 | HDG |

7. DIMENSIONS (mm/inch)



8. RANGE HD

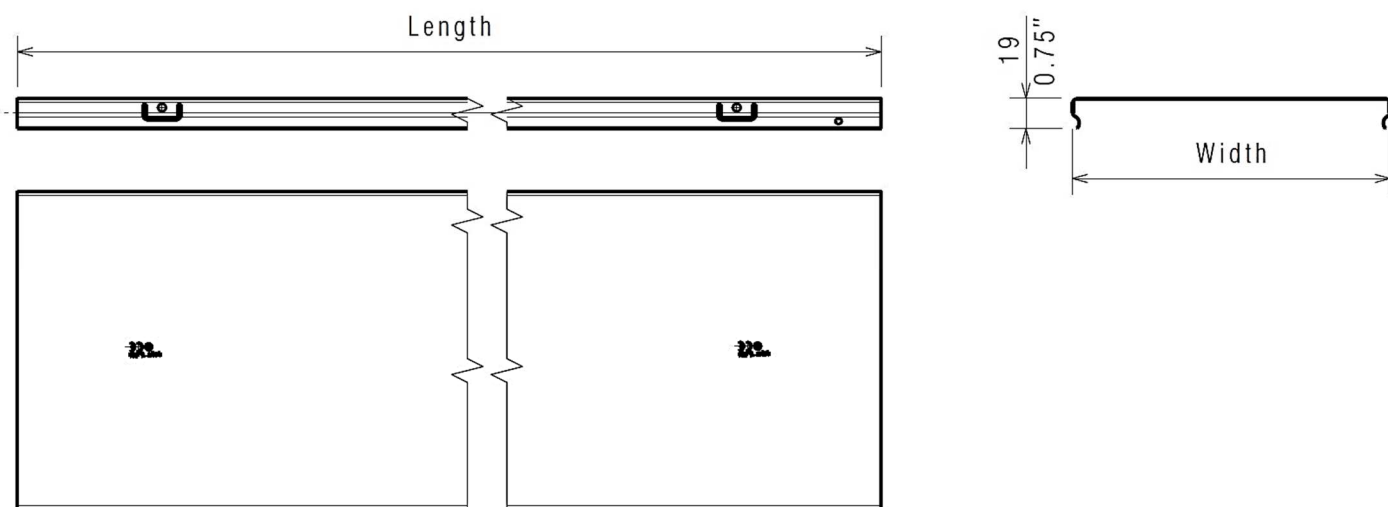
■ 8.1 Cover length HD PG

| Description | Code | Code export | Width | | Length | | Weight | | Thickness | | Coating |
|-------------------------|------|-------------|-------|--------|--------|--------|--------|-------|-----------|--------|---------|
| | | | (mm) | (inch) | (mm) | (inch) | (Kg) | (lb) | (mm) | (inch) | |
| P31-HD COVER W50 3M PG | - | 347465 | 50 | 1,97 | 3000 | 118,11 | 1,70 | 3,75 | 0,8 | 0,03 | PG |
| P31-HD COVER W75 3M PG | - | 347466 | 77 | 3,03 | 3000 | 118,11 | 2,20 | 4,85 | 0,8 | 0,03 | PG |
| P31-HD COVER W100 3M PG | - | 347467 | 100 | 3,94 | 3000 | 118,11 | 2,64 | 5,82 | 0,8 | 0,03 | PG |
| P31-HD COVER W150 3M PG | - | 347468 | 150 | 5,91 | 3000 | 118,11 | 3,58 | 7,89 | 0,8 | 0,03 | PG |
| P31-HD COVER W200 3M PG | - | 347469 | 200 | 7,87 | 3000 | 118,11 | 4,52 | 9,96 | 0,8 | 0,03 | PG |
| P31-HD COVER W300 3M PG | - | 347470 | 300 | 11,81 | 3000 | 118,11 | 6,41 | 14,13 | 0,8 | 0,03 | PG |
| P31-HD COVER W400 3M PG | - | 347471 | 400 | 15,75 | 3000 | 118,11 | 8,29 | 18,28 | 0,8 | 0,03 | PG |
| P31-HD COVER W500 3M PG | - | 347472 | 500 | 19,69 | 3000 | 118,11 | 10,17 | 22,42 | 0,8 | 0,03 | PG |
| P31-HD COVER W600 3M PG | - | 347473 | 600 | 23,62 | 3000 | 118,11 | 12,06 | 26,59 | 0,8 | 0,03 | PG |

■ 8.2 Cover length HD HDG

| Description | Code | Code export | Width | | Length | | Weight | | Thickness | | Coating |
|--------------------------|------|-------------|-------|--------|--------|--------|--------|-------|-----------|--------|---------|
| | | | (mm) | (inch) | (mm) | (inch) | (Kg) | (lb) | (mm) | (inch) | |
| P31-HD COVER W50 3M HDG | - | 344868 | 50 | 1,97 | 3000 | 118,11 | 1,87 | 4,12 | 0,8 | 0,03 | HDG |
| P31-HD COVER W75 3M HDG | - | 344806 | 77 | 3,03 | 3000 | 118,11 | 2,42 | 5,34 | 0,8 | 0,03 | HDG |
| P31-HD COVER W100 3M HDG | - | 344808 | 100 | 3,94 | 3000 | 118,11 | 2,90 | 6,39 | 0,8 | 0,03 | HDG |
| P31-HD COVER W150 3M HDG | - | 344809 | 150 | 5,91 | 3000 | 118,11 | 3,94 | 8,69 | 0,8 | 0,03 | HDG |
| P31-HD COVER W200 3M HDG | - | 344816 | 200 | 7,87 | 3000 | 118,11 | 4,97 | 10,96 | 0,8 | 0,03 | HDG |
| P31-HD COVER W300 3M HDG | - | 344818 | 300 | 11,81 | 3000 | 118,11 | 7,05 | 15,54 | 0,8 | 0,03 | HDG |
| P31-HD COVER W400 3M HDG | - | 344819 | 400 | 15,75 | 3000 | 118,11 | 9,12 | 20,11 | 0,8 | 0,03 | HDG |
| P31-HD COVER W500 3M HDG | - | 344825 | 500 | 19,69 | 3000 | 118,11 | 11,19 | 24,67 | 0,8 | 0,03 | HDG |
| P31-HD COVER W600 3M HDG | - | 344826 | 600 | 23,62 | 3000 | 118,11 | 13,26 | 29,23 | 0,8 | 0,03 | HDG |

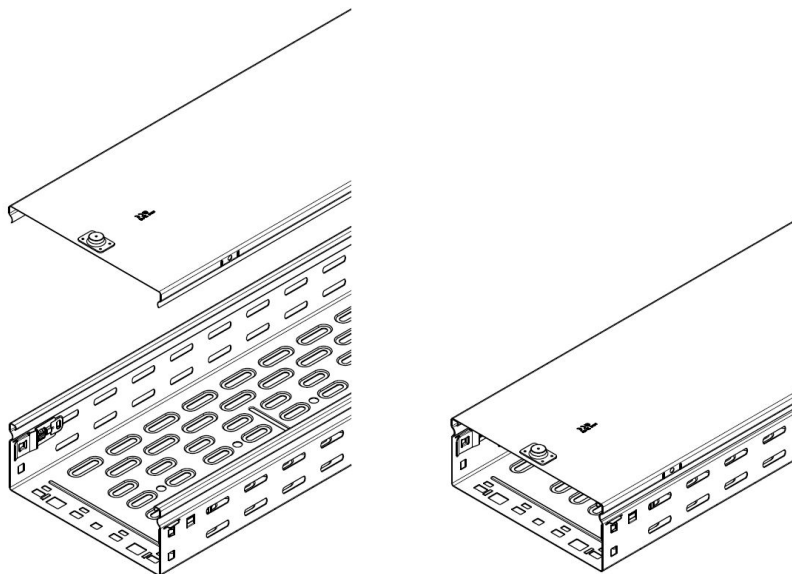
9. DIMENSIONS (mm/inch)



10. INSTALLATION

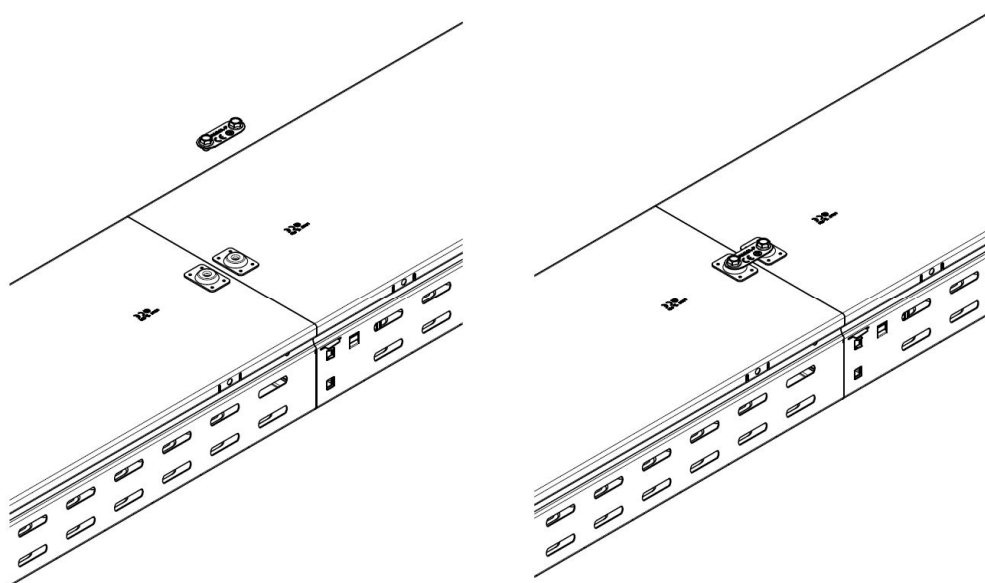
■ **10.1 Cover length on cable tray**

To mount a cover on a horizontal cable tray, just press until it 'clicks'.



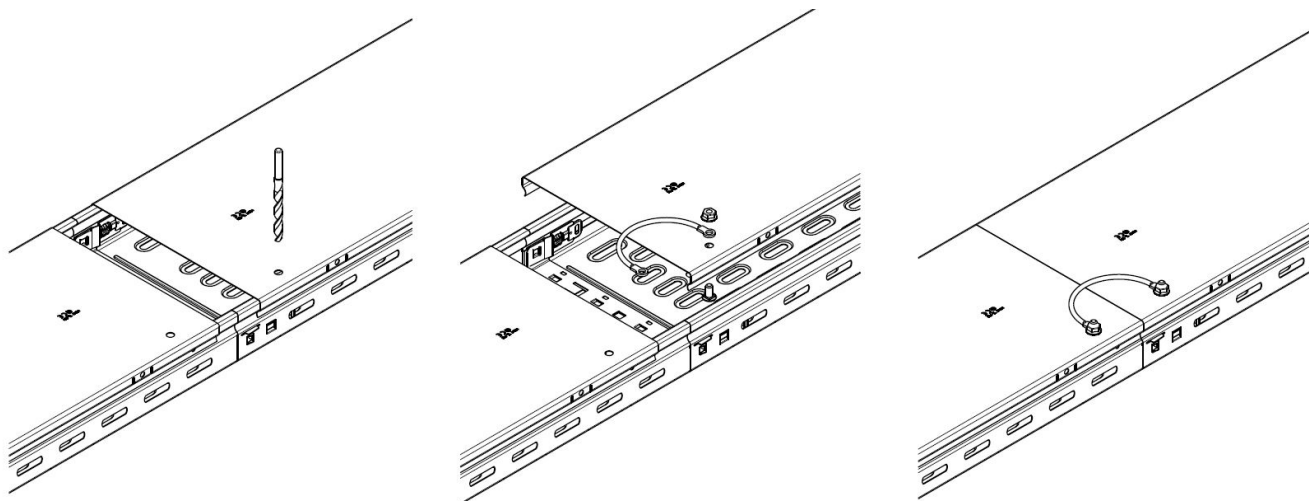
■ **10.2 Electrical continuity for covers with earth connection**

Join all covers by earth connection using copper plate to guarantee electrical continuity.



■ **10.3 Electrical continuity for covers without earth connection or holes**

To guarantee the electrical continuity between covers there is a possibility to joint it using a copper plate or copper wire.
 If the cover is devoid of heart connection or hole is necessary to drill a 7mm diameter hole.
 For painted version remove paint around the hole to assure electric conductivity.
 After that fix wire or plate using 2 screws M6x12.



11. TECHNICAL DATA

■ **11.1 Climatic characteristics**

Storage and operating temperature: - 20° C à + 120° C

■ **11.2 Material characteristics**

| Material finish | Material | Standard | Resistance class against corrosion |
|-----------------|-------------------|-------------|------------------------------------|
| PG | DX51D + Z200 | EN 10346 | Classe 3 - CEI 61537 |
| BLUE | DX51D + Z200 | EN 10346 | Classe 3 - CEI 61537 |
| HDG | DC 01 | EN 10130 | Classe 6 - CEI 61537 |
| SS304 | X5CrNi18-10 | EN 10 088-2 | Classe 9A - CEI 61537 |
| SS316L | X2CrNiMo17-12-2 | EN 10 088-2 | Classe 9B - CEI 61537 |
| ZNMG | DX51D + ZM310 A-C | EN 10364 | Classe 8 – CEI 61537 |

12. CONFORMITY - CERTIFICATION

Comply with CEI 61537 Cable tray systems
 Certification: CE, IMQ