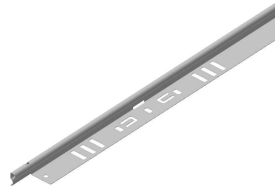


P31 - CLOISON SEPARATION H25
P31 - STRAIGHT DIVIDER H25

Référence(s): **481516 / 483516**
Item(s):



25 mm



1. GAMME/RANGE

P31 - CLOISON SEPARATION H25 GS
P31 - STRAIGHT DIVIDER H25 PG

Designation Description	Code	Poids Weight (Kg)	Épaisseur Thickness (mm)	Matière Raw Material	Norme matière Standard Raw Material	Finition Coating	Norme Finition Standard Coating
P31-CLOISON SEPARATION 3M H25 GS P31-STRAIGHT DIVIDER 3M H25MM PG	481516	0,98	0,6	DX51D + Z200	EN 10346	GS/PG/Z	EN 10346

Classe de résistance contre la corrosion 3 (IEC 61537)
Corrosion resistance classification 3 (IEC 61537)

P31 - CLOISON SEPARATION H25 GC
P31 - STRAIGHT DIVIDER H25 HDG

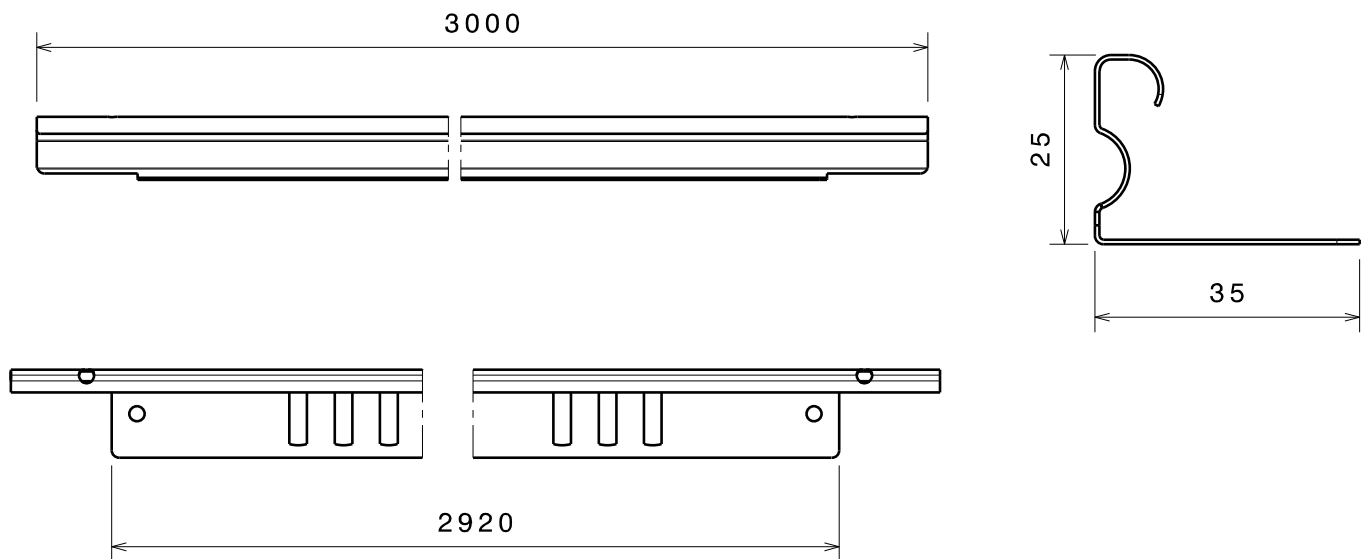
Designation Description	Code	Poids Weight (Kg)	Épaisseur Thickness (mm)	Matière Raw Material	Norme matière Standard Raw Material	Finition Coating	Norme Finition Standard Coating
P31-CLOISON SEPARATION 3M H25 GC P31-STRAIGHT DIVIDER 3M H25MM HDG	483516	1,08	0,6	DC01	EN 10130	GC/HDG/C	ISO 1461

Classe de résistance contre la corrosion 6 (IEC 61537)
Corrosion resistance classification 6 (IEC 61537)

P31 - CLOISON SEPARATION H25
P31 - STRAIGHT DIVIDER H25

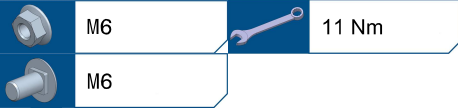
Référence(s): **481516 / 483516**
Item(s):

2. DIMENSIONS (mm)



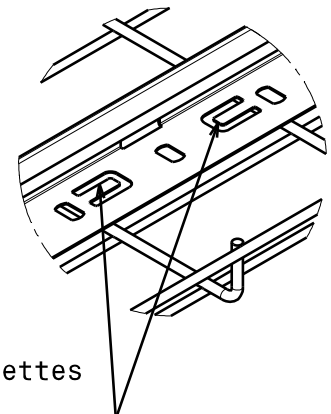
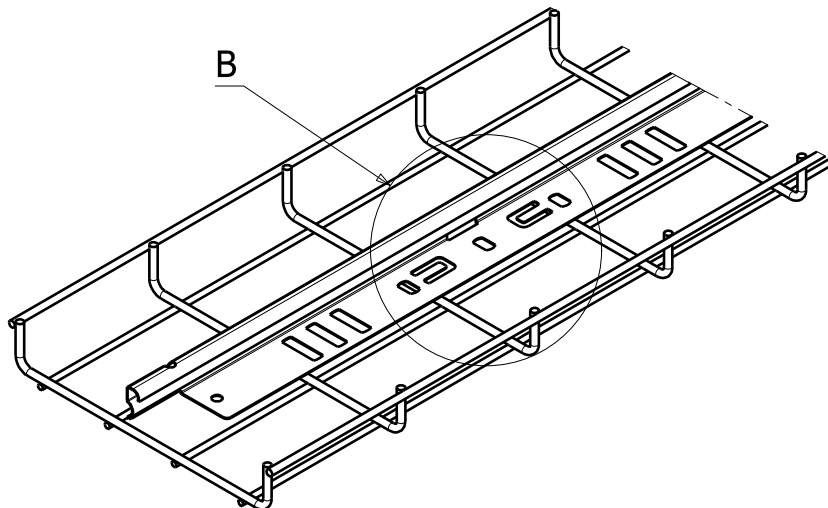
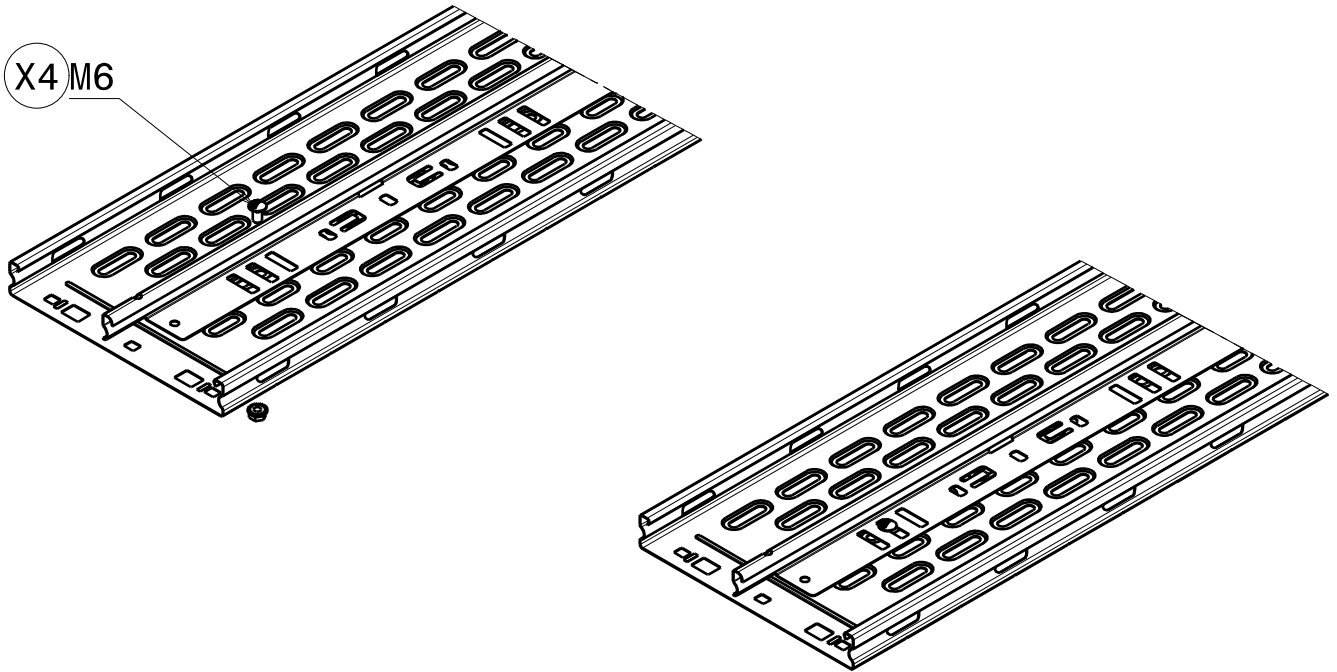
P31 - CLOISON SEPARATION H25
P31 - STRAIGHT DIVIDER H25

Référence(s): **481516 / 483516**
Item(s):



Référence(s): **341895 (GS/PG)**
Item(s):

3. INSTALLATION



Fixer la cornière en pliant les ailettes
To fix on wire mesh bend the tabs