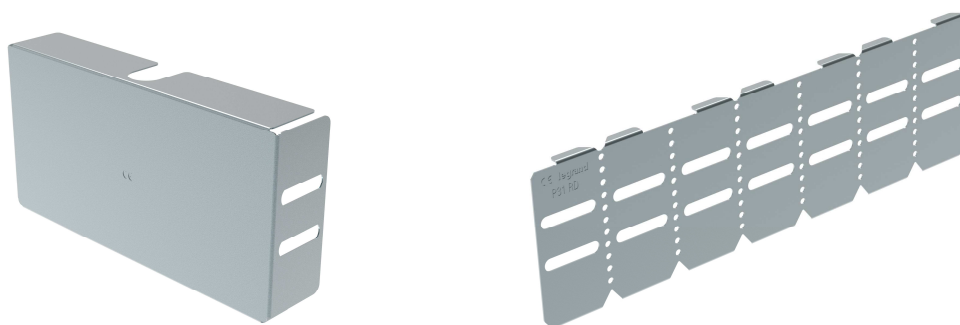


P31 – END CAP AND REDUCER H100

Reference(s): 485659/485660/485661/485662/485663
485664/481659/481660/481661/481662
481663/481664/480737/483659/483660
483661/483662/483663/483664/482737
481009/482048



1. USE

End cap and reducer for cable trays in H100.

2. RANGE END CAP

■ 2.1 End cap H100 PG

Description	Code	Weight		Width		Thickness		Coating
		(Kg)	(lb)	(mm)	(inch)	(mm)	(inch)	
P31-END CAP 100X100 PG	481659	0,12	0,26	104	4,09	0,7	0,03	PG
P31-END CAP 100X150 PG	481660	0,16	0,36	154	6,06	0,7	0,03	PG
P31-END CAP 100X200 PG	481661	0,21	0,46	204	8,03	0,7	0,03	PG
P31-END CAP 100X300 PG	481662	0,30	0,65	304	11,97	0,7	0,03	PG
P31-END CAP 100X400 PG	481663	0,38	0,84	404	15,91	0,7	0,03	PG
P31-END CAP 100X500 PG	481664	0,47	1,04	504	19,84	0,7	0,03	PG
P31-END CAP 100X600 PG	480737	0,56	1,23	604	23,78	0,7	0,03	PG

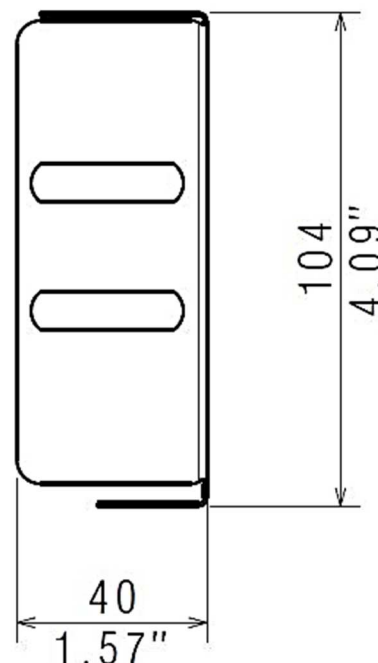
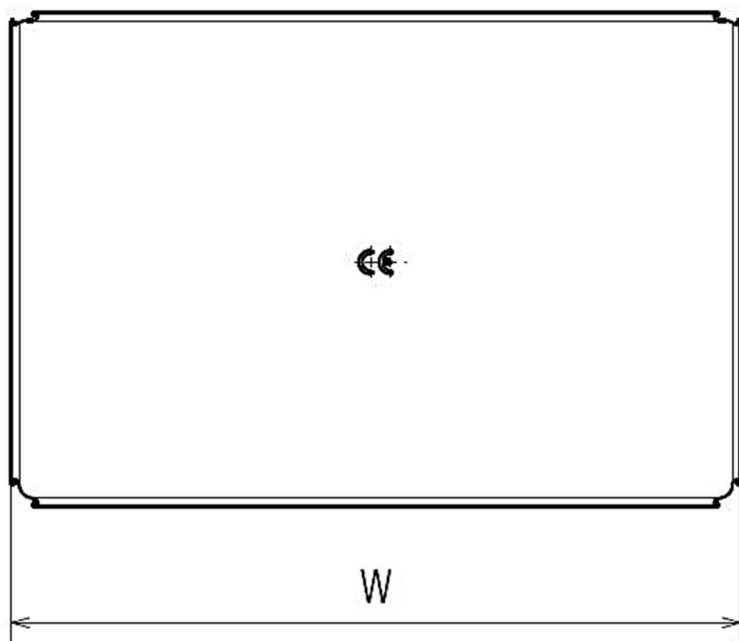
■ 2.2 End cap H100 HDG

Description	Code	Weight		Width		Thickness		Coating
		(Kg)	(lb)	(mm)	(inch)	(mm)	(inch)	
P31-END CAP 100X100 HDG	483659	0,13	0,29	104	4,09	0,7	0,03	HDG
P31-END CAP 100X150 HDG	483660	0,18	0,40	154	6,06	0,7	0,03	HDG
P31-END CAP 100X200 HDG	483661	0,23	0,50	204	8,03	0,7	0,03	HDG
P31-END CAP 100X300 HDG	483662	0,33	0,72	304	11,97	0,7	0,03	HDG
P31-END CAP 100X400 HDG	483663	0,42	0,92	404	15,91	0,7	0,03	HDG
P31-END CAP 100X500 HDG	483664	0,52	1,14	504	19,84	0,7	0,03	HDG
P31-END CAP 100X600 HDG	482737	0,61	1,35	604	23,78	0,7	0,03	HDG

■ 2.3 End cap H100 BLUE

Description	Code	Weight		Width		Thickness		Coating
		(Kg)	(lb)	(mm)	(inch)	(mm)	(inch)	
P31-END CAP 100X100 BLUE	485659	0,12	0,26	104	4,09	0,7	0,03	BLUE
P31-END CAP 100X150 BLUE	485660	0,16	0,36	154	6,06	0,7	0,03	BLUE
P31-END CAP 100X200 BLUE	485661	0,21	0,46	204	8,03	0,7	0,03	BLUE
P31-END CAP 100X300 BLUE	485662	0,30	0,65	304	11,97	0,7	0,03	BLUE
P31-END CAP 100X400 BLUE	485663	0,38	0,84	404	15,91	0,7	0,03	BLUE
P31-END CAP 100X500 BLUE	485664	0,47	1,04	504	19,84	0,7	0,03	BLUE

3. DIMENSIONS END CAP (mm/inch)



4. RANGE REDUCER

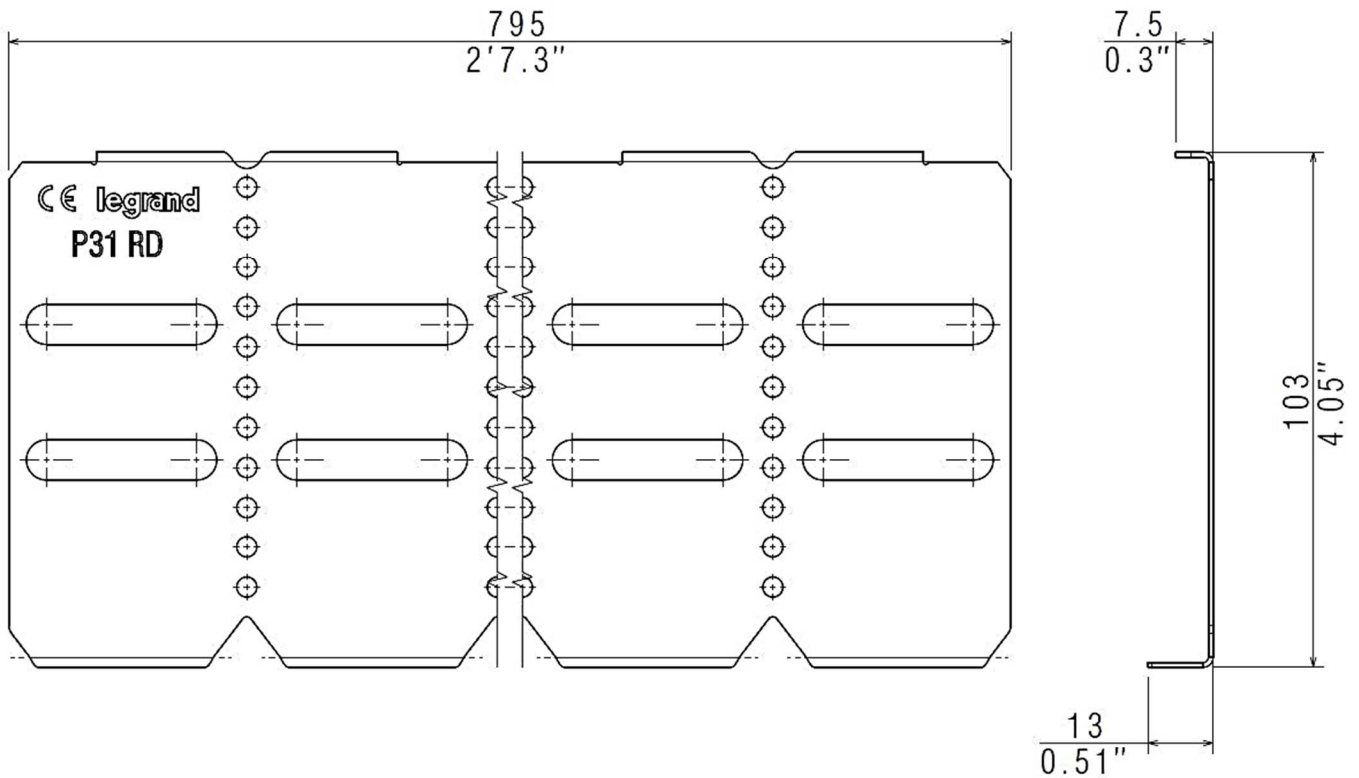
■ 4.1 Reducer H100 PG

Description	Code	Weight		Length		Thickness		Coating
		(Kg)	(lb)	(mm)	(inch)	(mm)	(inch)	
P31-REDUCER 400/500/600MM H100 PG	481009	0,57	1,26	795	31,30	0,95	0,04	PG

■ 4.2 Reducer H100 HDG

Description	Code	Weight		Length		Thickness		Coating
		(Kg)	(lb)	(mm)	(inch)	(mm)	(inch)	
P31-REDUCER 400/500/600MM H100 HDG	482048	0,63	1,39	795	31,30	0,95	0,04	HDG

5. DIMENSIONS REDUCER (mm/inch)



6. INSTALLATION

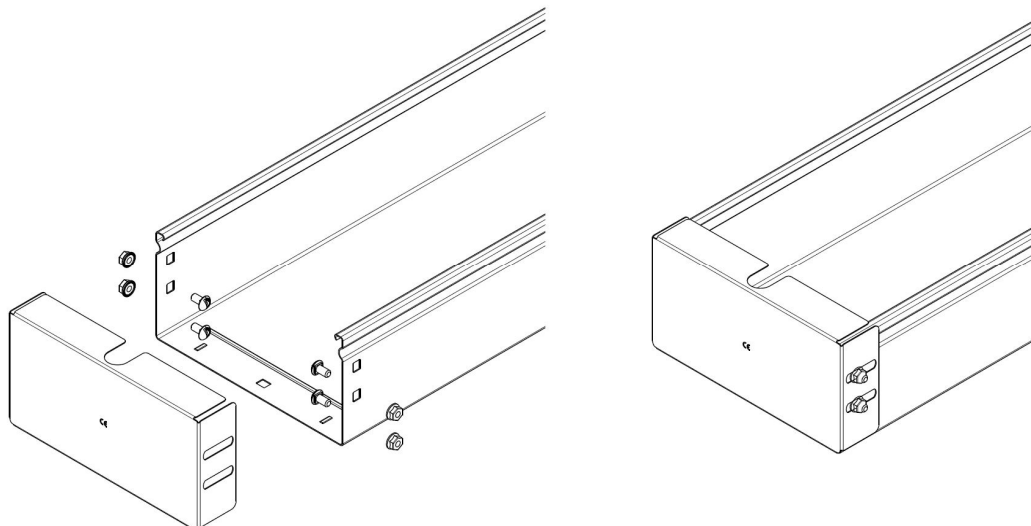
■ 6.1 Screw

Use screws M6x12 tightened at 11Nm

Reference(s): 341895/ 03V1M610Z (PG)
485035 (Zn-Ni)
346895/ 03V1M610L (SS316L)

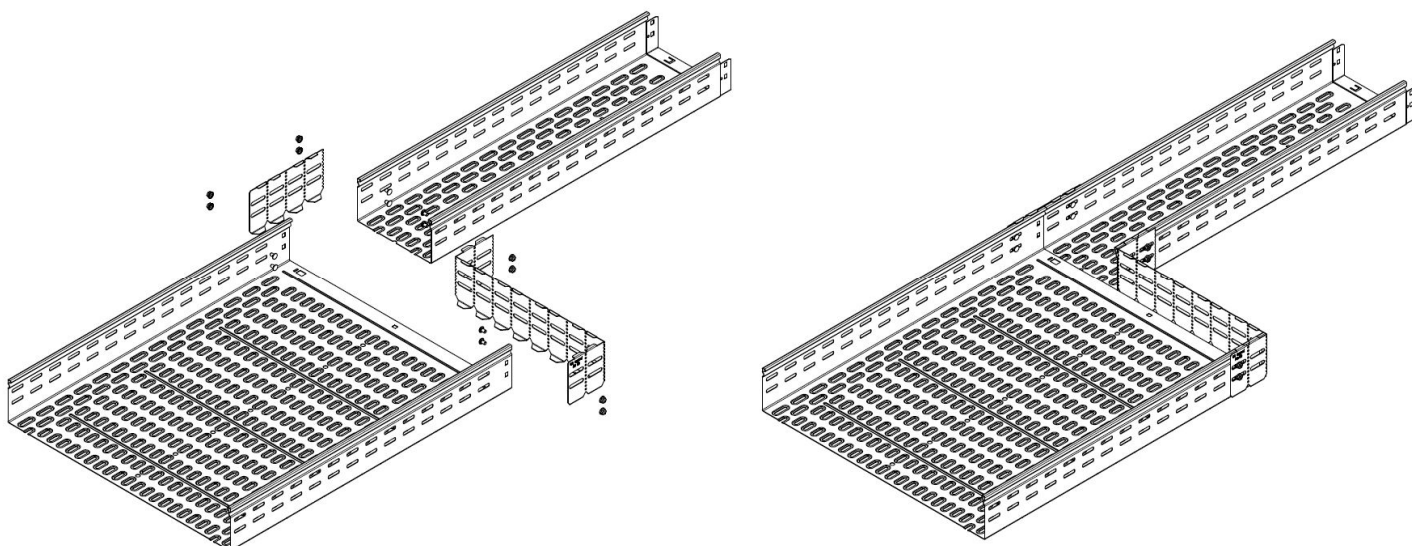
■ 6.2 End cap installation

The End-Cap in height 100 is assembled using 4 screws M6x12 on the sides of the cable tray.



■ 6.3 Reducer installation

Breaking a small part of and bending the larger part creates the parts needed to reduce the cable tray width. Mount each part using min. 4 screws M6x12.



7. TECHNICAL DATA■ **7.1 Climatic characteristics**

Storage and operating temperature: - 20° C à + 120° C

■ **7.2 Material characteristics**

Material finish	Material	Standard	Resistance class against corrosion
PG	DX51D + Z200	EN 10346	Classe 3 - CEI 61537
BLUE - RAL	DX51D + Z200	EN 10346	Classe 3 - CEI 61537
HDG	DC 01	EN 10130	Classe 6 - CEI 61537
SS304	X5CrNi18-10	EN 10 088-2	Classe 9A - CEI 61537
SS316L	X2CrNiMo17-12-2	EN 10 088-2	Classe 9B - CEI 61537
ZNMG	DX51D + ZM310 A-C	EN 10346	Classe 8 – CEI 61537

8. CONFORMITY - CERTIFICATION

Comply with CEI 61537 Cable tray systems

Certification: CE, IMQ