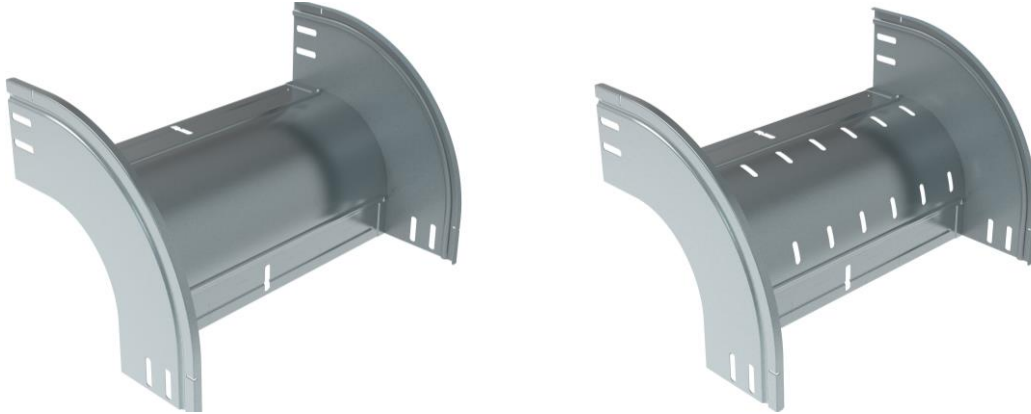


P31-OUTSIDE RISER 90° H100

Reference(s): 4810../54/55/56/57/58/59/60
4820../10/11/12/13/14/15/16
4835../00/01/02/03/04/05/06
4833../22/23/24/25/26/27/28



1. USE

Outside riser 90° in H100.

2. RANGE BLIND/PERFORATED

■ 2.1 Outside riser 90° H100 blind PG

Description	Code	Width		Weight		Thickness		Coating	Section	
		(mm)	(inch)	(Kg)	(lb)	(mm)	(inch)		(mm ²)	(inch ²)
P31-OUTSIDE RISER 90° 100X100 PG	481054	100	3,94	0,66	1,45	0,7	0,03	PG	10231	15,86
P31-OUTSIDE RISER 90° 100X150 PG	481055	150	5,91	0,73	1,61	0,7	0,03	PG	15296	23,71
P31-OUTSIDE RISER 90° 100X200 PG	481056	200	7,87	0,81	1,78	0,7	0,03	PG	20361	31,56
P31-OUTSIDE RISER 90° 100X300 PG	481057	300	11,81	0,96	2,11	0,7	0,03	PG	30491	47,26
P31-OUTSIDE RISER 90° 100X400 PG	481058	400	15,75	1,10	2,43	0,7	0,03	PG	40621	62,96
P31-OUTSIDE RISER 90° 100X500 PG	481059	500	19,69	1,25	2,76	0,7	0,03	PG	50751	78,66
P31-OUTSIDE RISER 90° 100X600 PG	481060	600	23,62	1,41	3,11	0,7	0,03	PG	60881	94,37

■ 2.2 Outside riser 90° H100 blind HDG

Description	Code	Width		Weight		Thickness		Coating	Section	
		(mm)	(inch)	(Kg)	(lb)	(mm)	(inch)		(mm ²)	(inch ²)
P31-OUTSIDE RISER 90° 100X100 HDG	482010	100	3,94	0,72	1,60	0,7	0,03	HDG	10231	15,86
P31-OUTSIDE RISER 90° 100X150 HDG	482011	150	5,91	0,81	1,78	0,7	0,03	HDG	15296	23,71
P31-OUTSIDE RISER 90° 100X200 HDG	482012	200	7,87	0,89	1,96	0,7	0,03	HDG	20361	31,56
P31-OUTSIDE RISER 90° 100X300 HDG	482013	300	11,81	1,05	2,32	0,7	0,03	HDG	30491	47,26
P31-OUTSIDE RISER 90° 100X400 HDG	482014	400	15,75	1,21	2,68	0,7	0,03	HDG	40621	62,96
P31-OUTSIDE RISER 90° 100X500 HDG	482015	500	19,69	1,38	3,04	0,7	0,03	HDG	50751	78,66
P31-OUTSIDE RISER 90° 100X600 HDG	482016	600	23,62	1,55	3,42	0,7	0,03	HDG	60881	94,37

■ 2.3 Outside riser 90° H100 perforated PG

Description	Code	Width		Weight		Thickness		Coating	Section	
		(mm)	(inch)	(Kg)	(lb)	(mm)	(inch)		(mm ²)	(inch ²)
P31-OUTSIDE RISER 90° 100X100 PG	483500	100	3,94	0,65	1,43	0,7	0,03	PG	10231	15,86
P31-OUTSIDE RISER 90° 100X150 PG	483501	150	5,91	0,72	1,59	0,7	0,03	PG	15296	23,71
P31-OUTSIDE RISER 90° 100X200 PG	483502	200	7,87	0,80	1,76	0,7	0,03	PG	20361	31,56
P31-OUTSIDE RISER 90° 100X300 PG	483503	300	11,81	0,94	2,07	0,7	0,03	PG	30491	47,26
P31-OUTSIDE RISER 90° 100X400 PG	483504	400	15,75	1,08	2,38	0,7	0,03	PG	40621	62,96
P31-OUTSIDE RISER 90° 100X500 PG	483505	500	19,69	1,23	2,71	0,7	0,03	PG	50751	78,66
P31-OUTSIDE RISER 90° 100X600 PG	483506	600	23,62	1,39	3,06	0,7	0,03	PG	60881	94,37

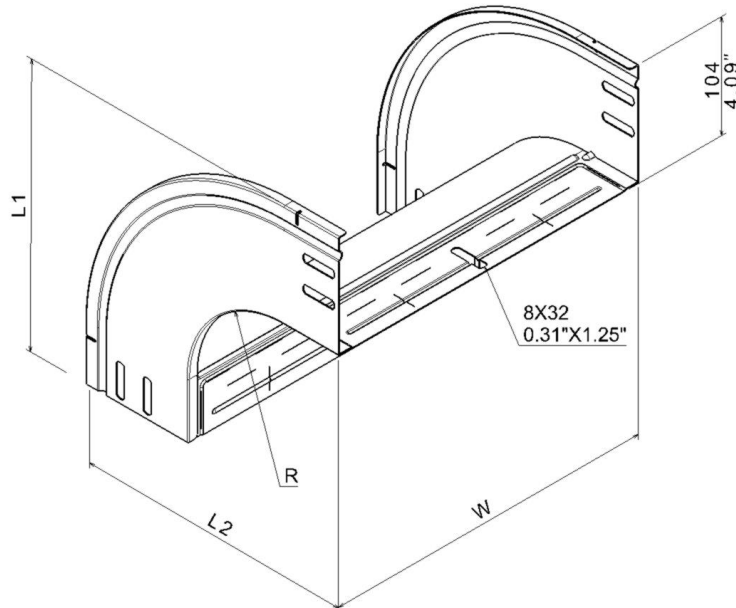
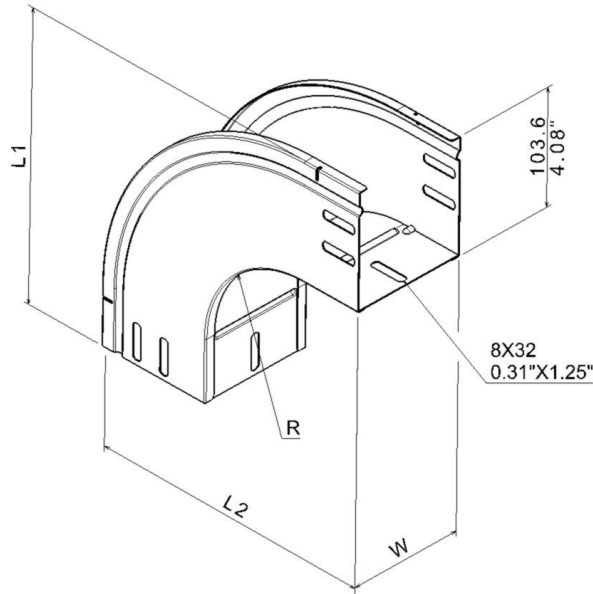
■ 2.4 Outside riser 90° H100 perforated HDG

Description	Code	Width		Weight		Thickness		Coating	Section	
		(mm)	(inch)	(Kg)	(lb)	(mm)	(inch)		(mm ²)	(inch ²)
P31-OUTSIDE RISER 90° 100X100 HDG	483322	100	3,94	0,72	1,58	0,7	0,03	HDG	10231	15,86
P31-OUTSIDE RISER 90° 100X150 HDG	483323	150	5,91	0,79	1,75	0,7	0,03	HDG	15296	23,71
P31-OUTSIDE RISER 90° 100X200 HDG	483324	200	7,87	0,88	1,94	0,7	0,03	HDG	20361	31,56
P31-OUTSIDE RISER 90° 100X300 HDG	483325	300	11,81	1,03	2,28	0,7	0,03	HDG	30491	47,26
P31-OUTSIDE RISER 90° 100X400 HDG	483326	400	15,75	1,19	2,62	0,7	0,03	HDG	40621	62,96
P31-OUTSIDE RISER 90° 100X500 HDG	483327	500	19,69	1,35	2,98	0,7	0,03	HDG	50751	78,66
P31-OUTSIDE RISER 90° 100X600 HDG	483328	600	23,62	1,53	3,37	0,7	0,03	HDG	60881	94,37

3. DIMENSIONS (mm/inch)

■ 3.1 Fitting dimensions

Description	Width		Radius		L1		L2	
	(mm)	(inch)	(mm)	(inch)	(mm)	(inch)	(mm)	(inch)
P31-OUTSIDE RISER 90° 100X100	102	4,02	97	3,80	255	10,04	255	10,04
P31-OUTSIDE RISER 90° 100X150	152	5,98	97	3,80	255	10,04	255	10,04
P31-OUTSIDE RISER 90° 100X200	202	7,95	97	3,80	255	10,04	255	10,04
P31-OUTSIDE RISER 90° 100X300	302	11,89	97	3,80	255	10,04	255	10,04
P31-OUTSIDE RISER 90° 100X400	402	15,83	97	3,80	255	10,04	255	10,04
P31-OUTSIDE RISER 90° 100X500	502	19,76	97	3,80	255	10,04	255	10,04
P31-OUTSIDE RISER 90° 100X600	602	23,70	97	3,80	255	10,04	255	10,04



4. INSTALLATION

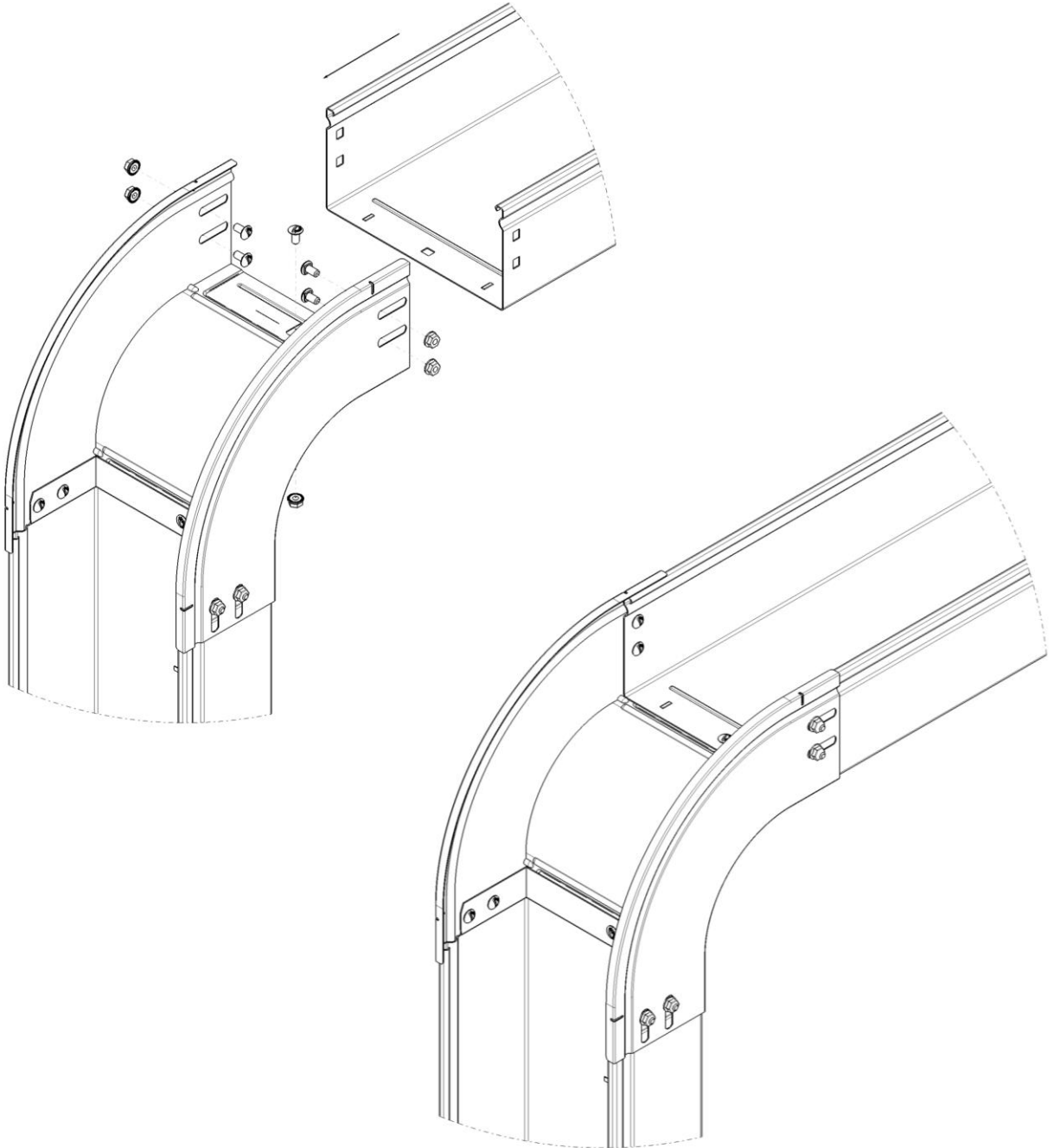
■ 4.1 Screw

Use screws M6x12 tightened at 11Nm

Reference(s): 341895/ 03V1M610Z (PG)
485035 (Zn-Ni)
346895/ 03V1M610L (SS316L)

■ 4.2 Fitting to cable tray

Outside riser height 100 are assembled using 10 screws M6x12 on the side and on the bottom.
The screws in the middle is optional up to and included width 300mm.



5. TECHNICAL DATA

■ 5.1 Climatic characteristics

Storage and operating temperature: - 20° C à + 120° C

■ 5.2 Material characteristics

Material finish	Material	Standard	Resistance class against corrosion
PG	DX51D + Z200	EN 10346	Classe 3 - CEI 61537
BLUE	DX51D + Z200	EN 10346	Classe 3 - CEI 61537
HDG	DC 01	EN 10130	Classe 6 - CEI 61537
SS304	X5CrNi18-10	EN 10 088-2	Classe 9A - CEI 61537
SS316L	X2CrNiMo17-12-2	EN 10 088-2	Classe 9B - CEI 61537

6. CONFORMITY - CERTIFICATION

Comply with CEI 61537 Cable tray systems

Certification: CE, IMQ