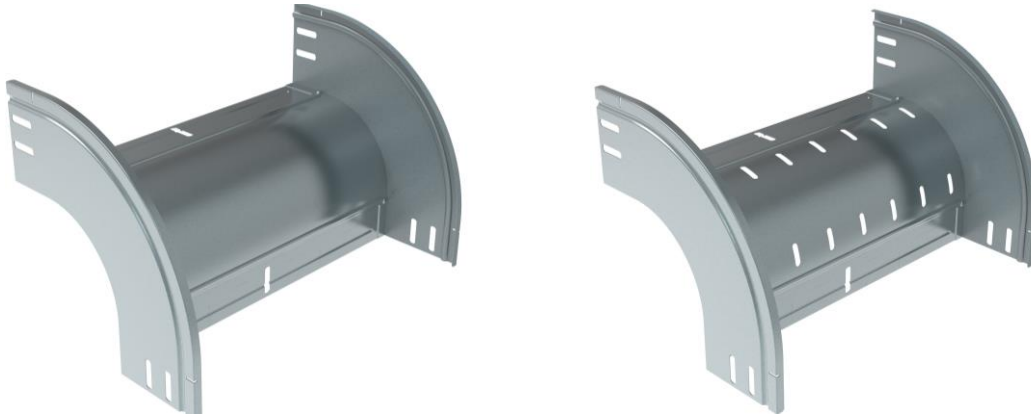


P31-OUTSIDE RISER 90° H100

Reference(s): 4810../54/55/56/57/58/59/60
4820../10/11/12/13/14/15/16
4835../00/01/02/03/04/05/06
4833../22/23/24/25/26/27/28



1. USE

Outside riser 90° in H100.

2. RANGE BLIND/PERFORATED

■ 2.1 Outside riser 90° H100 blind PG

| Description | Code | Width | | Weight | | Thickness | | Coating | Section | |
|----------------------------------|--------|-------|--------|--------|------|-----------|--------|---------|--------------------|----------------------|
| | | (mm) | (inch) | (Kg) | (lb) | (mm) | (inch) | | (mm ²) | (inch ²) |
| P31-OUTSIDE RISER 90° 100X100 PG | 481054 | 100 | 3,94 | 0,66 | 1,45 | 0,7 | 0,03 | PG | 10231 | 15,86 |
| P31-OUTSIDE RISER 90° 100X150 PG | 481055 | 150 | 5,91 | 0,73 | 1,61 | 0,7 | 0,03 | PG | 15296 | 23,71 |
| P31-OUTSIDE RISER 90° 100X200 PG | 481056 | 200 | 7,87 | 0,81 | 1,78 | 0,7 | 0,03 | PG | 20361 | 31,56 |
| P31-OUTSIDE RISER 90° 100X300 PG | 481057 | 300 | 11,81 | 0,96 | 2,11 | 0,7 | 0,03 | PG | 30491 | 47,26 |
| P31-OUTSIDE RISER 90° 100X400 PG | 481058 | 400 | 15,75 | 1,10 | 2,43 | 0,7 | 0,03 | PG | 40621 | 62,96 |
| P31-OUTSIDE RISER 90° 100X500 PG | 481059 | 500 | 19,69 | 1,25 | 2,76 | 0,7 | 0,03 | PG | 50751 | 78,66 |
| P31-OUTSIDE RISER 90° 100X600 PG | 481060 | 600 | 23,62 | 1,41 | 3,11 | 0,7 | 0,03 | PG | 60881 | 94,37 |

■ 2.2 Outside riser 90° H100 blind HDG

| Description | Code | Width | | Weight | | Thickness | | Coating | Section | |
|-----------------------------------|--------|-------|--------|--------|------|-----------|--------|---------|--------------------|----------------------|
| | | (mm) | (inch) | (Kg) | (lb) | (mm) | (inch) | | (mm ²) | (inch ²) |
| P31-OUTSIDE RISER 90° 100X100 HDG | 482010 | 100 | 3,94 | 0,72 | 1,60 | 0,7 | 0,03 | HDG | 10231 | 15,86 |
| P31-OUTSIDE RISER 90° 100X150 HDG | 482011 | 150 | 5,91 | 0,81 | 1,78 | 0,7 | 0,03 | HDG | 15296 | 23,71 |
| P31-OUTSIDE RISER 90° 100X200 HDG | 482012 | 200 | 7,87 | 0,89 | 1,96 | 0,7 | 0,03 | HDG | 20361 | 31,56 |
| P31-OUTSIDE RISER 90° 100X300 HDG | 482013 | 300 | 11,81 | 1,05 | 2,32 | 0,7 | 0,03 | HDG | 30491 | 47,26 |
| P31-OUTSIDE RISER 90° 100X400 HDG | 482014 | 400 | 15,75 | 1,21 | 2,68 | 0,7 | 0,03 | HDG | 40621 | 62,96 |
| P31-OUTSIDE RISER 90° 100X500 HDG | 482015 | 500 | 19,69 | 1,38 | 3,04 | 0,7 | 0,03 | HDG | 50751 | 78,66 |
| P31-OUTSIDE RISER 90° 100X600 HDG | 482016 | 600 | 23,62 | 1,55 | 3,42 | 0,7 | 0,03 | HDG | 60881 | 94,37 |

■ 2.3 Outside riser 90° H100 perforated PG

| Description | Code | Width | | Weight | | Thickness | | Coating | Section | |
|----------------------------------|--------|-------|--------|--------|------|-----------|--------|---------|--------------------|----------------------|
| | | (mm) | (inch) | (Kg) | (lb) | (mm) | (inch) | | (mm ²) | (inch ²) |
| P31-OUTSIDE RISER 90° 100X100 PG | 481054 | 100 | 3,94 | 0,66 | 1,45 | 0,7 | 0,03 | PG | 10231 | 15,86 |
| P31-OUTSIDE RISER 90° 100X150 PG | 481055 | 150 | 5,91 | 0,73 | 1,61 | 0,7 | 0,03 | PG | 15296 | 23,71 |
| P31-OUTSIDE RISER 90° 100X200 PG | 481056 | 200 | 7,87 | 0,81 | 1,78 | 0,7 | 0,03 | PG | 20361 | 31,56 |
| P31-OUTSIDE RISER 90° 100X300 PG | 481057 | 300 | 11,81 | 0,96 | 2,11 | 0,7 | 0,03 | PG | 30491 | 47,26 |
| P31-OUTSIDE RISER 90° 100X400 PG | 481058 | 400 | 15,75 | 1,10 | 2,43 | 0,7 | 0,03 | PG | 40621 | 62,96 |
| P31-OUTSIDE RISER 90° 100X500 PG | 481059 | 500 | 19,69 | 1,25 | 2,76 | 0,7 | 0,03 | PG | 50751 | 78,66 |
| P31-OUTSIDE RISER 90° 100X600 PG | 481060 | 600 | 23,62 | 1,41 | 3,11 | 0,7 | 0,03 | PG | 60881 | 94,37 |

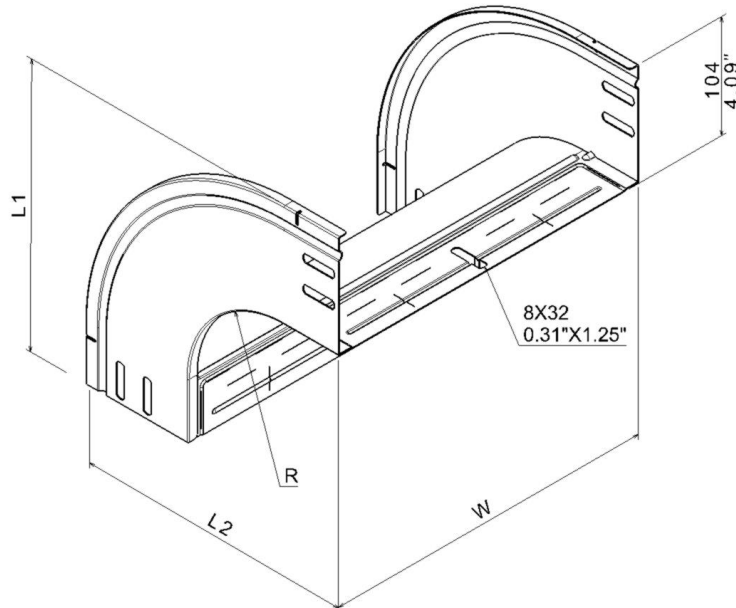
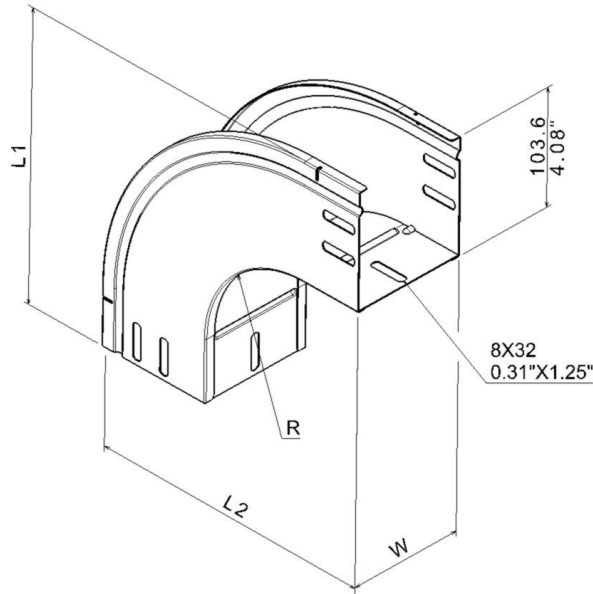
■ 2.4 Outside riser 90° H100 perforated HDG

| Description | Code | Width | | Weight | | Thickness | | Coating | Section | |
|-----------------------------------|--------|-------|--------|--------|------|-----------|--------|---------|--------------------|----------------------|
| | | (mm) | (inch) | (Kg) | (lb) | (mm) | (inch) | | (mm ²) | (inch ²) |
| P31-OUTSIDE RISER 90° 100X100 HDG | 483322 | 100 | 3,94 | 0,72 | 1,59 | 0,7 | 0,03 | HDG | 10231 | 15,86 |
| P31-OUTSIDE RISER 90° 100X150 HDG | 483323 | 150 | 5,91 | 0,81 | 1,79 | 0,7 | 0,03 | HDG | 15296 | 23,71 |
| P31-OUTSIDE RISER 90° 100X200 HDG | 483324 | 200 | 7,87 | 0,89 | 1,96 | 0,7 | 0,03 | HDG | 20361 | 31,56 |
| P31-OUTSIDE RISER 90° 100X300 HDG | 483325 | 300 | 11,81 | 1,05 | 2,31 | 0,7 | 0,03 | HDG | 30491 | 47,26 |
| P31-OUTSIDE RISER 90° 100X400 HDG | 483326 | 400 | 15,75 | 1,21 | 2,67 | 0,7 | 0,03 | HDG | 40621 | 62,96 |
| P31-OUTSIDE RISER 90° 100X500 HDG | 483327 | 500 | 19,69 | 1,38 | 3,04 | 0,7 | 0,03 | HDG | 50751 | 78,66 |
| P31-OUTSIDE RISER 90° 100X600 HDG | 483328 | 600 | 23,62 | 1,55 | 3,42 | 0,7 | 0,03 | HDG | 60881 | 94,37 |

3. DIMENSIONS (mm/inch)

■ **3.1 Fitting dimensions**

| Description | Width | | Radius | | L1 | | L2 | |
|-------------------------------|-------|--------|--------|--------|------|--------|------|--------|
| | (mm) | (inch) | (mm) | (inch) | (mm) | (inch) | (mm) | (inch) |
| P31-OUTSIDE RISER 90° 100X100 | 102 | 4,02 | 97 | 3,80 | 255 | 10,04 | 255 | 10,04 |
| P31-OUTSIDE RISER 90° 100X150 | 152 | 5,98 | 97 | 3,80 | 255 | 10,04 | 255 | 10,04 |
| P31-OUTSIDE RISER 90° 100X200 | 202 | 7,95 | 97 | 3,80 | 255 | 10,04 | 255 | 10,04 |
| P31-OUTSIDE RISER 90° 100X300 | 302 | 11,89 | 97 | 3,80 | 255 | 10,04 | 255 | 10,04 |
| P31-OUTSIDE RISER 90° 100X400 | 402 | 15,83 | 97 | 3,80 | 255 | 10,04 | 255 | 10,04 |
| P31-OUTSIDE RISER 90° 100X500 | 502 | 19,76 | 97 | 3,80 | 255 | 10,04 | 255 | 10,04 |
| P31-OUTSIDE RISER 90° 100X600 | 602 | 23,70 | 97 | 3,80 | 255 | 10,04 | 255 | 10,04 |



4. INSTALLATION

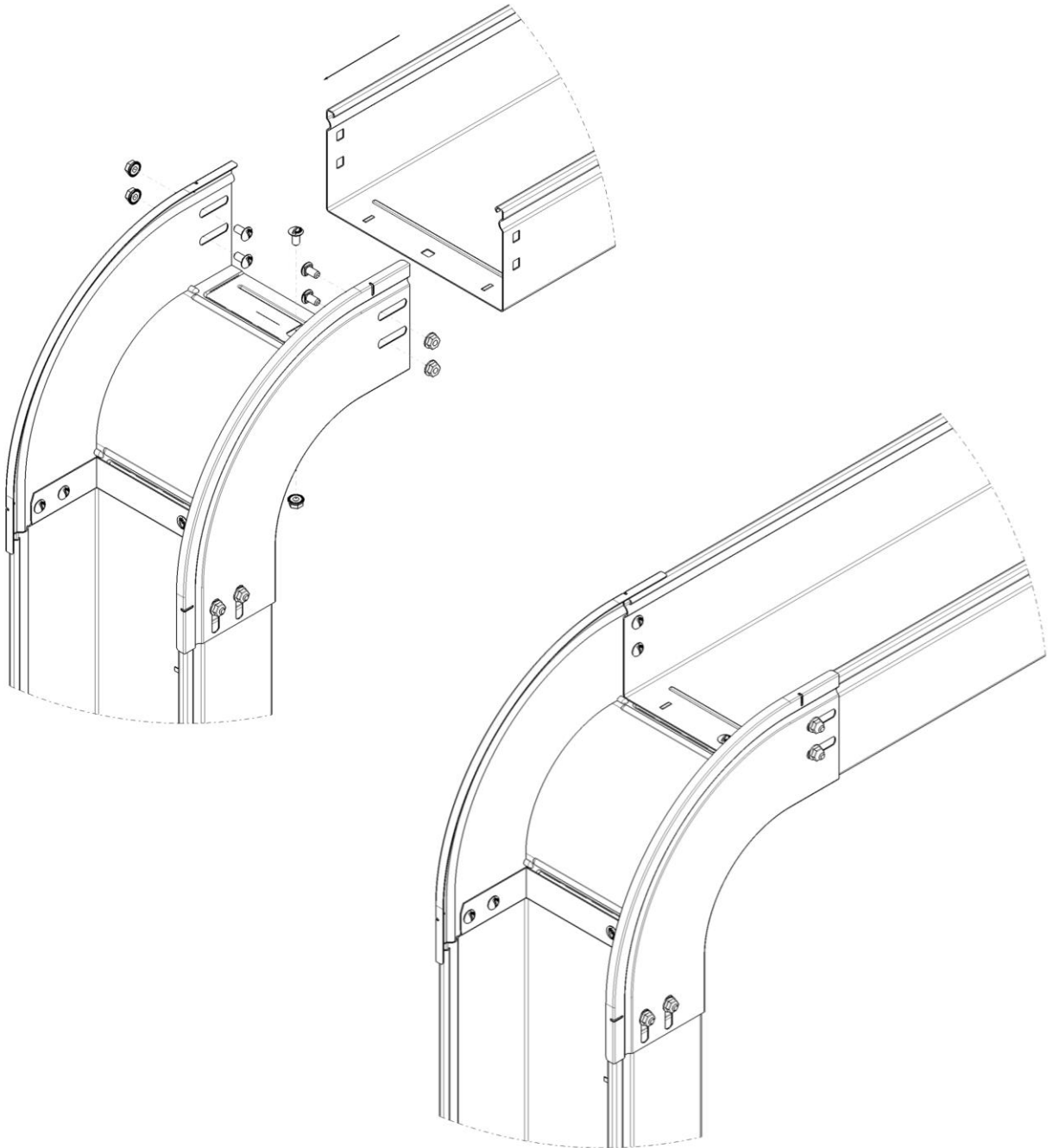
■ 4.1 Screw

Use screws M6x12 tightened at 11Nm

Reference(s): 341895/ 03V1M610Z (PG)
485035 (Zn-Ni)
346895/ 03V1M610L (SS316L)

■ 4.2 Fitting to cable tray

Outside riser height 100 are assembled using 10 screws M6x12 on the side and on the bottom.
The screws in the middle is optional up to and included width 300mm.



5. TECHNICAL DATA

■ 5.1 Climatic characteristics

Storage and operating temperature: - 20° C à + 120° C

■ 5.2 Material characteristics

| Material finish | Material | Standard | Resistance class against corrosion |
|-----------------|-----------------|-------------|------------------------------------|
| PG | DX51D + Z200 | EN 10346 | Classe 3 - CEI 61537 |
| BLUE | DX51D + Z200 | EN 10346 | Classe 3 - CEI 61537 |
| HDG | DC 01 | EN 10130 | Classe 6 - CEI 61537 |
| SS304 | X5CrNi18-10 | EN 10 088-2 | Classe 9A - CEI 61537 |
| SS316L | X2CrNiMo17-12-2 | EN 10 088-2 | Classe 9B - CEI 61537 |

6. CONFORMITY - CERTIFICATION

Comply with CEI 61537 Cable tray systems

Certification: CE, IMQ