

## P31 - INSIDE RISER 90° H100

Reference(s): 4819../95/96/97/98-480999-4810../00/01  
4829../95/96/97/98/99-4830../00/01  
4831../77/78/79/80/81/82/83  
4834../07/08/09/10/11/12/13



### 1. USE

Inside riser 90° in H100 with blind / perforated bottom.

### 2. RANGE BLIND

#### ■ 2.1 Inside riser 90° H100 blind PG

Description	Code	Width		Weight		Thickness		Coating	Section	
		(mm)	(inch)	(Kg)	(lb)	(mm)	(inch)		(mm <sup>2</sup> )	(inch <sup>2</sup> )
P31-INSIDE RISER 90D 100X100 PG	481995	100	3,94	0,69	1,52	0,7	0,03	PG	10193	15,80
P31-INSIDE RISER 90D 100X150 PG	481996	150	5,91	0,81	1,78	0,7	0,03	PG	15258	23,65
P31-INSIDE RISER 90D 100X200 PG	481997	200	7,87	0,93	2,05	0,7	0,03	PG	20323	31,50
P31-INSIDE RISER 90D 100X300 PG	481998	300	11,81	1,17	2,57	0,7	0,03	PG	30453	47,20
P31-INSIDE RISER 90D 100X400 PG	480999	400	15,75	1,41	3,10	0,7	0,03	PG	40583	62,90
P31-INSIDE RISER 90D 100X500 PG	481000	500	19,69	1,65	3,63	0,7	0,03	PG	50713	78,61
P31-INSIDE RISER 90D 100X600 PG	481001	600	23,62	1,88	4,15	0,7	0,03	PG	60843	94,31

#### ■ 2.2 Inside riser 90° H100 blind HDG

Description	Code	Width		Weight		Thickness		Coating	Section	
		(mm)	(inch)	(Kg)	(lb)	(mm)	(inch)		(mm <sup>2</sup> )	(inch <sup>2</sup> )
P31-INSIDE RISER 90D 100X100 HDG	482995	100	3,94	0,76	1,67	0,7	0,03	HDG	10193	15,80
P31-INSIDE RISER 90D 100X150 HDG	482996	150	5,91	0,89	1,96	0,7	0,03	HDG	15258	23,65
P31-INSIDE RISER 90D 100X200 HDG	482997	200	7,87	1,02	2,25	0,7	0,03	HDG	20323	31,50
P31-INSIDE RISER 90D 100X300 HDG	482998	300	11,81	1,28	2,83	0,7	0,03	HDG	30453	47,20
P31-INSIDE RISER 90D 100X400 HDG	482999	400	15,75	1,55	3,41	0,7	0,03	HDG	40583	62,90
P31-INSIDE RISER 90D 100X500 HDG	483000	500	19,69	1,81	3,99	0,7	0,03	HDG	50713	78,61
P31-INSIDE RISER 90D 100X600 HDG	483001	600	23,62	2,07	4,57	0,7	0,03	HDG	60843	94,31

## ■ 2.3 Inside riser 90° H100 perforated PG

Description	Code	Width		Weight		Thickness		Coating	Section	
		(mm)	(inch)	(Kg)	(lb)	(mm)	(inch)		(mm <sup>2</sup> )	(inch <sup>2</sup> )
P31-INSIDE RISER 90D PERF. 100X100 PG	483177	100	3,94	0,69	1,51	0,7	0,03	PG	10193	15,80
P31-INSIDE RISER 90D PERF. 100X150 PG	483178	150	5,91	0,81	1,77	0,7	0,03	PG	15258	23,65
P31-INSIDE RISER 90D PERF. 100X200 PG	483179	200	7,87	0,93	2,05	0,7	0,03	PG	20323	31,50
P31-INSIDE RISER 90D PERF. 100X300 PG	483180	300	11,81	1,17	2,58	0,7	0,03	PG	30453	47,20
P31-INSIDE RISER 90D PERF. 100X400 PG	483181	400	15,75	1,38	3,04	0,7	0,03	PG	40583	62,90
P31-INSIDE RISER 90D PERF. 100X500 PG	483182	500	19,69	1,61	3,55	0,7	0,03	PG	50713	78,61
P31-INSIDE RISER 90D PERF. 100X600 PG	483183	600	23,62	1,84	4,06	0,7	0,03	PG	60843	94,31

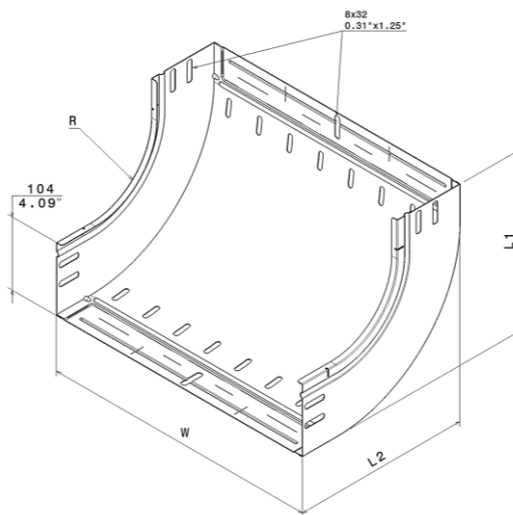
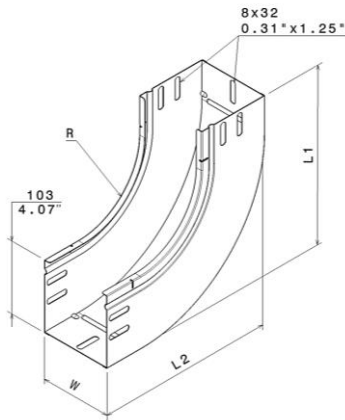
## ■ 2.4 Inside riser 90° H100 perforated HDG

Description	Code	Width		Weight		Thickness		Coating	Section	
		(mm)	(inch)	(Kg)	(lb)	(mm)	(inch)		(mm <sup>2</sup> )	(inch <sup>2</sup> )
P31-INSIDE RISER 90D PERF. 100X100 HDG	483407	100	3,94	0,75	1,66	0,7	0,03	HDG	10193	15,80
P31-INSIDE RISER 90D PERF. 100X150 HDG	483408	150	5,91	0,89	1,95	0,7	0,03	HDG	15258	23,65
P31-INSIDE RISER 90D PERF. 100X200 HDG	483409	200	7,87	1,02	2,26	0,7	0,03	HDG	20323	31,50
P31-INSIDE RISER 90D PERF. 100X300 HDG	483410	300	11,81	1,29	2,84	0,7	0,03	HDG	30453	47,20
P31-INSIDE RISER 90D PERF. 100X400 HDG	483411	400	15,75	1,52	3,35	0,7	0,03	HDG	40583	62,90
P31-INSIDE RISER 90D PERF. 100X500 HDG	483412	500	19,69	1,77	3,90	0,7	0,03	HDG	50713	78,61
P31-INSIDE RISER 90D PERF. 100X600 HDG	483413	600	23,62	2,02	4,46	0,7	0,03	HDG	60843	94,31

**3. DIMENSIONS (mm/inch)**

■ **3.1 Fitting dimensions**

Description	Width		Radius		L1		L2	
	(mm)	(inch)	(mm)	(inch)	(mm)	(inch)	(mm)	(inch)
P31-INSIDE RISER 90D 100X100	102	4,03	100	3,94	258	10,16	258	10,16
P31-INSIDE RISER 90D 100X150	152	6,00	100	3,94	258	10,16	258	10,16
P31-INSIDE RISER 90D 100X200	202	7,97	100	3,94	259	10,20	259	10,20
P31-INSIDE RISER 90D 100X300	302	11,91	100	3,94	259	10,20	259	10,20
P31-INSIDE RISER 90D 100X400	402	15,84	100	3,94	259	10,20	259	10,20
P31-INSIDE RISER PERF. 90D 100X500	502	19,78	100	3,94	259	10,20	259	10,20
P31-INSIDE RISER PERF. 90D 100X600	602	23,72	100	3,94	259	10,20	259	10,20



## 4. INSTALLATION

### ■ 4.1 Screw and tools

Use screws M6x12 tightened at 11Nm

Reference(s): 341895 / 03V1M610Z (PG)

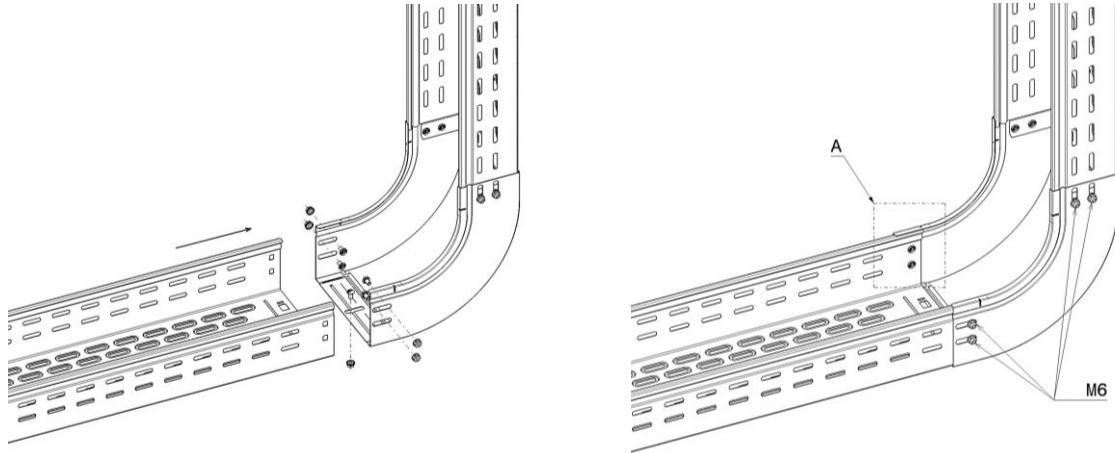
485035 (Zn-Ni)

346895/ 03V1M610L (SS316L)

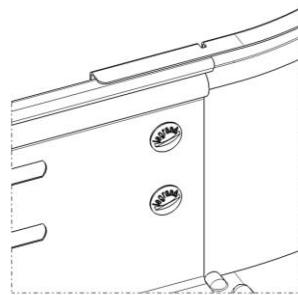
### ■ 4.2 Fitting to cable tray

Inside riser height 100 are assembled using 10 screws M6x12 on the side and on the bottom.

The screws in the middle is optional up to and included width 300mm.



DETAIL: A



## 5. TECHNICAL DATA

### ■ 5.1 Climatic characteristics

Storage and operating temperature: - 20° C à + 120° C

### ■ 5.2 Material characteristics

Material finish	Material	Standard	Resistance class against corrosion
PG	DX51D + Z200	EN 10346	Classe 3 - CEI 61537
BLUE	DX51D + Z200	EN 10346	Classe 3 - CEI 61537
HDG	DC 01	EN 10130	Classe 6 - CEI 61537
SS304	X5CrNi18-10	EN 10 088-2	Classe 9A - CEI 61537
SS316L	X2CrNiMo17-12-2	EN 10 088-2	Classe 9B - CEI 61537

## 6. CONFORMITY - CERTIFICATION

Comply with CEI 61537 Cable tray systems

Certification: CE, IMQ